



CS-8030

CS-6030

PARTS LIST

Published in May 2006

2FB70953

Rev.3

NOTES

1. Indicate parts number and machine model when placing an order.

e.g.	Parts Number	Parts Name	Machine Model	Frequency	Quantity
	302FB94101	PARTS,EMBLEM ASS'Y (CPY) SP (80ppm)	CS-8030	60Hz	1
	302FC94021	PARTS,EMBLEM ASS'Y (CPY) SP (60ppm)	CS-6030	60Hz	1

2. Service calls and freight will be charged separately.

3. Symbols in the "Parts Number" column.

- Parts with "•" are component parts or sub-assemblies of the assembly appearing immediately above them.

e.g.	Parts Number	Parts Name	Parts Number	Parts Name
	302FB94140	PARTS,REAR DLP FILTER B ASS'Y	•302FB23550	GUIDE REAR DLP FILTER
			•302FB23560	REAR DLP FILTER

- Parts with "••" are component parts or sub-assembly with "•" appearing immediately above them.

e.g.	Parts Number	Parts Name	Parts Number	Parts Name
	•302FB94020	PARTS,UPPER PULLEY FEED ASS'Y SP	••2FB06110	SHAFT IDLE
			••2AV22310	GEAR,16 IDLE

- Parts with "⊙" indicates the spare parts and the parts without "⊙" can not be supplied.

4. Items indicated in Description column as (OPTION) are supply parts and should be ordered through your Regional Office.

— CONTENTS —

FIG.1	Covers	2	FIG.24	Driving Section II	48
FIG.2	Frames I	4	FIG.25	Cooling Section	50
FIG.3	Frames II	6	FIG.26	Duplex Unit I	52
FIG.4	Paper Cassette	8	FIG.27	Duplex Unit II	54
FIG.5	Paper Deck Unit I	10	FIG.28	Duplex Unit III	56
FIG.6	Paper Deck Unit II	12	FIG.29	Paper Eject	58
FIG.7	Deck Feed Section I	14	FIG.30	Electrical Components I	60
FIG.8	Deck Feed Section II	16	FIG.31	Electrical Components II	62
FIG.9	Paper Feed-in I	18	FIG.32	Electrical Components III	64
FIG.10	Paper Feed-in II	20	FIG.33	Operation Unit	66
FIG.11	Paper Feed-in III	22	FIG.34	Covers (DP)	68
FIG.12	Paper Conveying I	24	FIG.35	Frames (DP)	70
FIG.13	Paper Conveying II	26	FIG.36	Paper Feed-in (DP)	72
FIG.14	Paper Conveying III	28	FIG.37	Paper Conveying (DP)	74
FIG.15	Optical Section I	30	FIG.38	Duplex Section (DP)	76
FIG.16	Optical Section II	32	FIG.39	Paper Eject (DP)	78
FIG.17	Imaging Unit	34	FIG.40	Driving Unit (DP)	80
FIG.18	Developer Unit	36	FIG.41	Electrical Components (DP)	82
FIG.19	Cleaning Unit I	38	FIG.42	Accessories & Tools	84
FIG.20	Cleaning Unit II	40	FIG.43	Options	86
FIG.21	Fuser Section I	42	FIG.44	Maintenance Kits	88
FIG.22	Fuser Section II	44			
FIG.23	Driving Section I	46			
				• INDEX	89

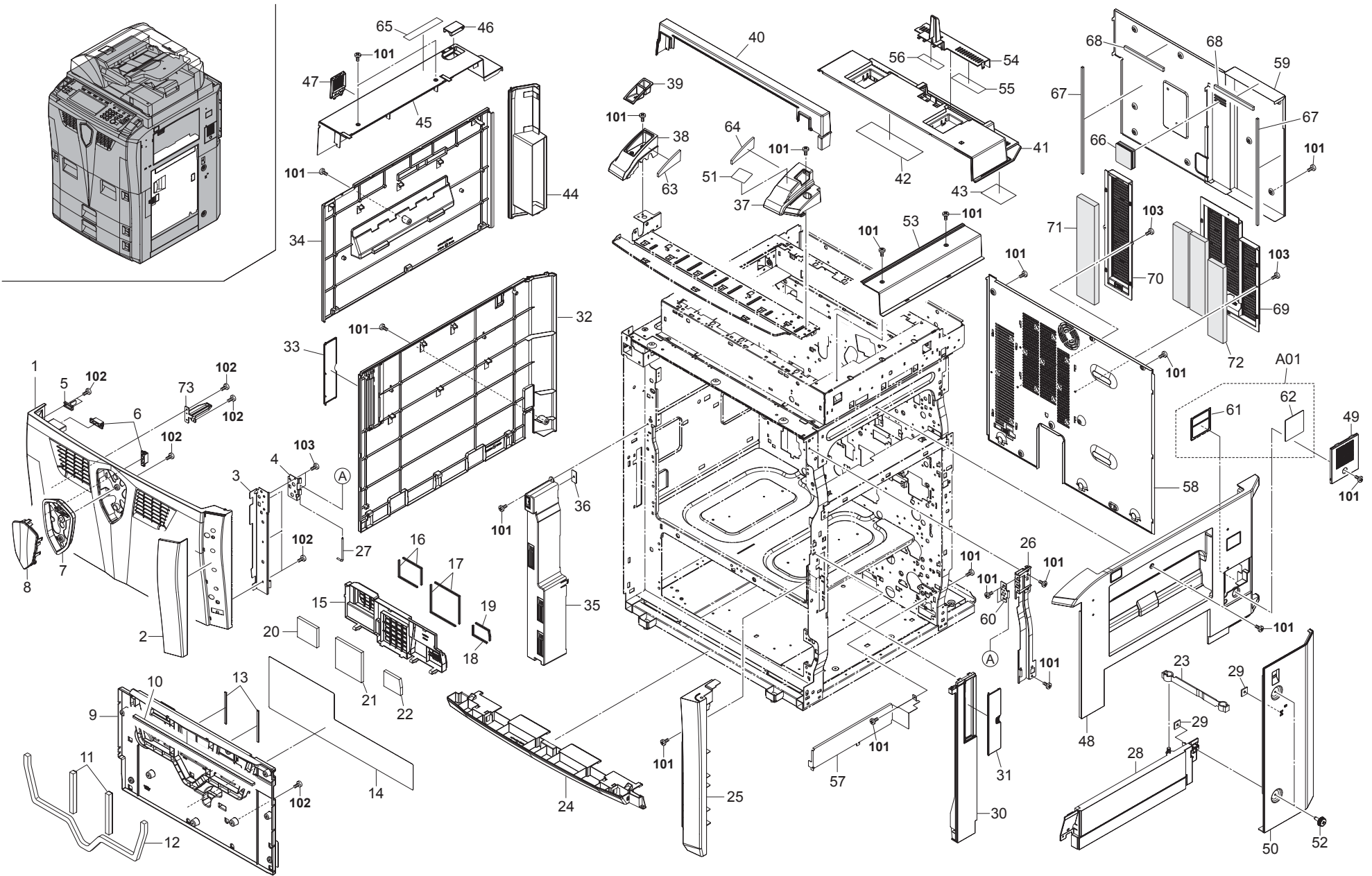


FIG. 1 Covers

2FB/2FC-3

SP	Ref. No.	Part.No.	Alternative.	Description	120
⊙	1	2FB04010		COVER FRONT 1/4	1
⊙	2	2FB04020		COVER FRONT SUB	1
	3	2FB04210		MOUNT FRONT COVER	1
	4	2FB04390		MOUNT PLATE F COVER	1
⊙	5	2BL04330		HOLDER SWITCH	1
⊙	6	2FB04220		MAGNET CATCH	2
⊙	7	2FB04030		COVER EMBLEM	1
⊙	8	302FB94101	2FB94101	PARTS,EMBLEM ASS'Y (CPY) SP (80ppm)	1
⊙	8	302FC94021	2FC94021	PARTS,EMBLEM ASS'Y (CPY) SP (60ppm)	1
⊙	9	302FB04801	2FB04801	COVER INNER FRONT	1
	10	302FB04880	2FB04880	SPONGE INNER FRONT C	1
	11	302FB04860	2FB04860	SPONGE INNER FRONT B	2
	12	302FB04850	2FB04850	SPONGE INNER FRONT A	1
	13	302FB04910	2FB04910	SPONGE INNER FRONT D	2
⊙	14	302FB04870	2FB04870	SHEET OPE FRONT	1
	15	302FB04920	2FB04920	DUCT INNER FRONT	1
	16	302FB23360	2FB23360	SPONGE FRONT DUCT A	2
	17	302FB23370	2FB23370	SPONGE FRONT DUCT B	2
	18	302FB23380	2FB23380	SPONGE FRONT DUCT C	1
	19	302FB23390	2FB23390	SPONGE FRONT DUCT D	1
⊙	20	302FB23470	2FB23470	FILTER FRONT COVER D	1
⊙	21	302FB23480	2FB23480	FILTER FRONT COVER E	1
⊙	22	302FB23490	2FB23490	FILTER FRONT COVER F	1
	23	2BG06480		BAND B	1
⊙	24	2FB04050		COVER LOWER FRONT	1
⊙	25	2FB04060		COVER LOWER FRONT R	1
	26	302FB04231	2FB04231	SUPPORT PLATE F COVER	1
	27	2FB04400		PIN FULCRUM F COVER	1
	28	2FB04100		COVER LOWER RIGHT M	1
	29	3CY06030		RETAINER M4	2
⊙	30	302FB04091	2FB04091	COVER LOWER RIGHT F	1
⊙	31	2FB04190		COVER HANDLE R	1
⊙	32	302FB04072	2FB04072	COVER LOWER LEFT	1
⊙	33	2FB04180		COVER HANDLE L	1
⊙	34	2FB04080		COVER MIDDLE LEFT 1/3	1
⊙	35	2FB04260		COVER INNER LEFT	1
	36	2FB04270		PLATE MAGNET	1
⊙	37	302FB04770	2FB04770	COVER OPE SIDE RIGHT	1
⊙	38	302FB04760	2FB04760	COVER OPE SIDE LEFT	1
⊙	39	302FB04420	2FB04420	CLIP DISH	1
⊙	40	2FB04130		COVER OPERATION SIDE	1
⊙	41	2FB04160		COVER UPPER REAR 1/2	1
	42	302FB04930	2FB04930	FILTER DUST UR COVER A	1
	43	302FB04940	2FB04940	FILTER DUST UR COVER B	1
⊙	44	302FB04241	2FB04241	COVER MIDDLE LEFT R	1
⊙	45	2FB04140		COVER UPPER LEFT 1/2	1
⊙	46	2FB04370		LID MAIN SW	1
⊙	47	302FB04830	2FB04830	COVER ISU FAN	1
⊙	48	2FB04120		COVER MIDDLE RIGHT 1/3	1
⊙	49	302FB04171	2FB04171	COVER FAN	1

SP	Ref. No.	Part.No.	Alternative.	Description	120
⊙	50	2FB04110		COVER LOWER RIGHT R	1
	51	302FB05231	2FB05231	LABEL OPE MOVE	1
	52	302FB04900	2FB04900	SCREW LOWER RIGHT COVER	2
⊙	53	2FB04150		COVER UPPER RIGHT	1
⊙	54	2FB04380		COVER DP CABLE	1
	55	302FB04950	2FB04950	FILTER DUST DP COVER A	1
	56	302FB04960	2FB04960	FILTER DUST DP COVER B	1
	57	302FB07880	2FB07880	COVER VERTICAL FEED MOTOR	1
⊙	58	302FB04813	2FB04813	COVER LOWER REAR	1
⊙	59	302FB04822	2FB04822	COVER UPPER REAR	1
	60	302FB04890	2FB04890	PLATE FULCRUM F COVER	1
⊙	A01	302FB94140	2FB94140	PARTS,REAR DLP FILTER B ASSY	1
	61	*302FB23550	2FB23550	GUIDE REAR DLP FILTER	1
	62	*302FB23560	2FB23560	REAR DLP FILTER	1
	63	302FB24890	2FB24890	SEAL OPERATION LEFT	1
	64	302FB24900	2FB24900	SEAL OPERATION RIGHT	1
⊙	65	302FB05300	2FB05300	LABEL MAIN SW E	1
⊙	66	302FB26450	2FB26450	FILTER S-BOX FAN	1
	67	7ZGSSTG51140H01	ZG022880	SHIELD GASKET	2
	68	7ZGSSTG55330H01	ZG022870	SHIELD GASKET	2
⊙	69	302FB23531	2FB23531	REAR DUCT A	1
⊙	70	302FB23542	2FB23542	REAR DUCT B	1
	71	302FB23580	2FB23580	OZONE FILTER B	1
	72	302FB23590	2FB23590	OZONE FILTER C	3
	73	302FB04980	2FB04980	HOLDER FRONT COVER	1
	101	B1A54080		+BIND TAP-TITE S SCREW M4X08	
	102	5MBTPB3008PW++R	B1A63080	BIND T.T SCREW(+)/ M3 X 8 CRFREE P-T	
	103	5MBTPB3006TW++R	B1A53060	BIND T.T SCREW(+)/ M3 X 6 CRFREE S-T	

- Parts with "*" are component parts or sub-assemblies of the assembly appearing immediately above them.
- Parts with "⊙" indicates the spare parts.

- Parts with "••" are component parts or sub-assembly with "•" appearing immediately above them.

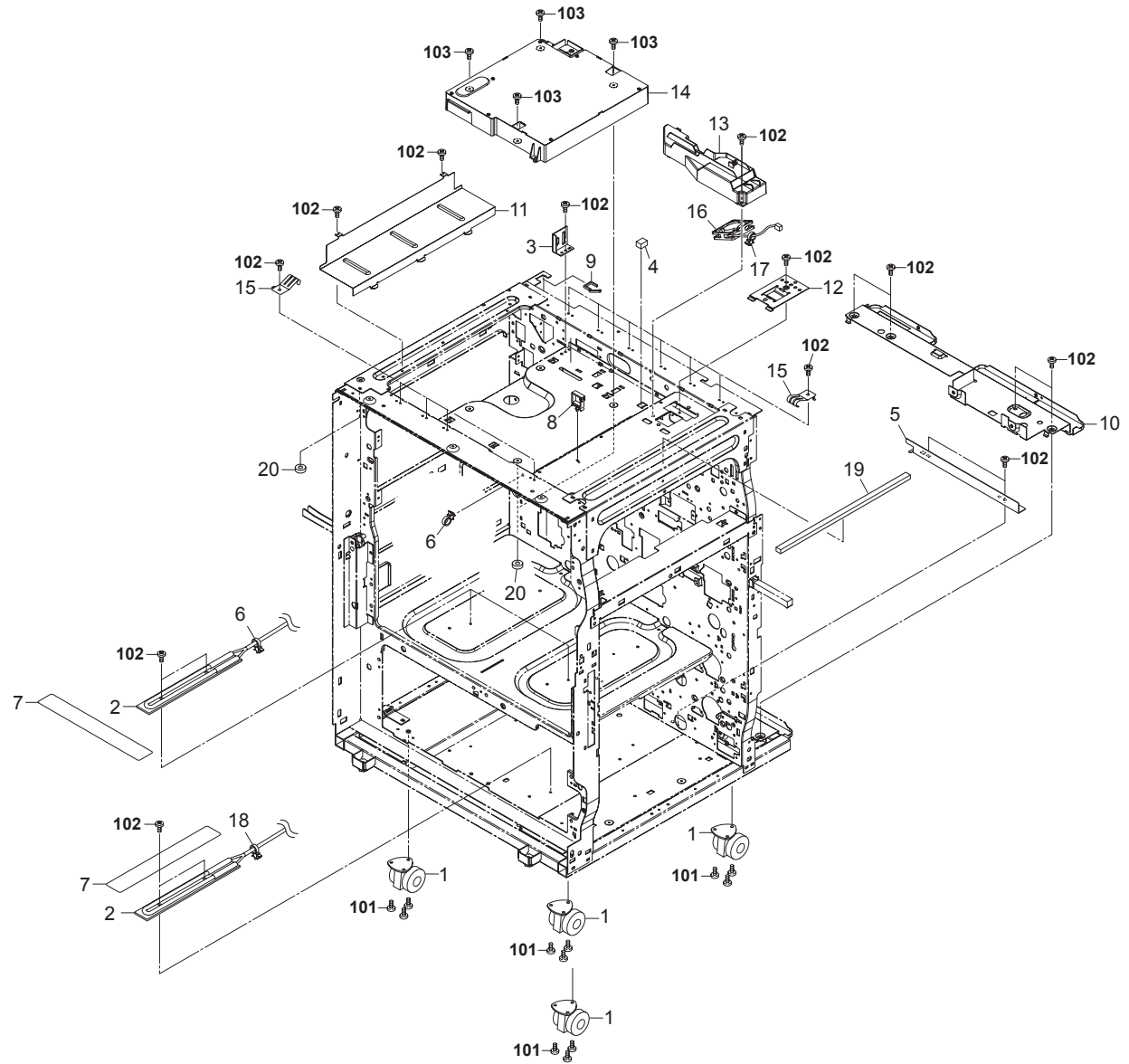
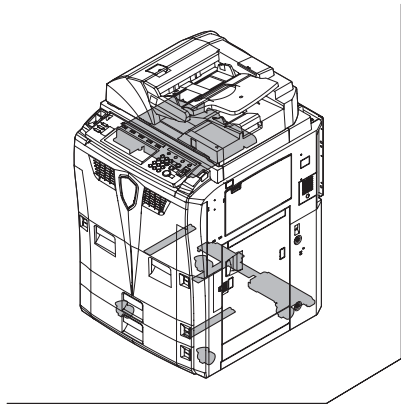


FIG. 2 Frames I

2FB/2FC-3

SP	Ref. No.	Part.No.	Alternative.	Description	120
⊙	1	302A002171	2A002171	CASTER UA	4
⊙	2	302FB25050	2FB25050	HEATER DEHUMIDIFIER 120	3
	3	302FB26300	2FB26300	MOUNT LSU CONNECTOR	1
	4	7YCC02B1001+H01	YC014610	CONNECTOR	1
	5	2BC02240		SHIELD PLATE,BASE	1
	6	M2107250		BAND,RSG-100(KITAGAWA)	3
⊙	7	302FB05540	2FB05540	LABEL HIGH TEMP CAUTION	3
	8	M21AK030		WIRE SADDLE,RLWS-3T V0(KITAGAWA)	1
	9	M2104250		EDGING,EDS-17L(KITAGAWA)	1
	10	2FB02110		REAR REINFORCEMENT BASE	1
	11	2FB23070		PARTITION PLATE FIXING	1
	12	302FB02730	2FB02730	PROJECTION PLATE C	1
	13	302FB23051	2FB23051	REAR DUCT LSU	1
⊙	14	302FB93042	2FB93042	PARTS,LK-650	1
	15	2A026180		GROUND PLATE,SCANNER FRAME	10
⊙	16	302FB25130	2FB25130	FAN COOLING(60-15TH)	1
	17	M2107240		BAND,KI-100(KITAGAWA)	1
	18	M21AH010		BAND,RSG-130-V0(KITAGAWA)	1
	19	7ZGSSTG77300H01	ZG020590	SHIELD GASKET	1
⊙	20	302BG04560	2BG04560	COVER SCREW	3

SP	Ref. No.	Part.No.	Alternative.	Description	120
	101	B1A25100		+BINDING SCREW WITH SW.W M5X10	
	102	B1A54080		+BIND TAP-TITE S SCREW M4X08	
	103	B1B54120		+BIND TAP-TITE S SCREW M4X12(TRIVALENT C	

- Parts with "*" are component parts or sub-assemblies of the assembly appearing immediately above them.
- Parts with "⊙" indicates the spare parts.

- Parts with "••" are component parts or sub-assembly with "•" appearing immediately above them.

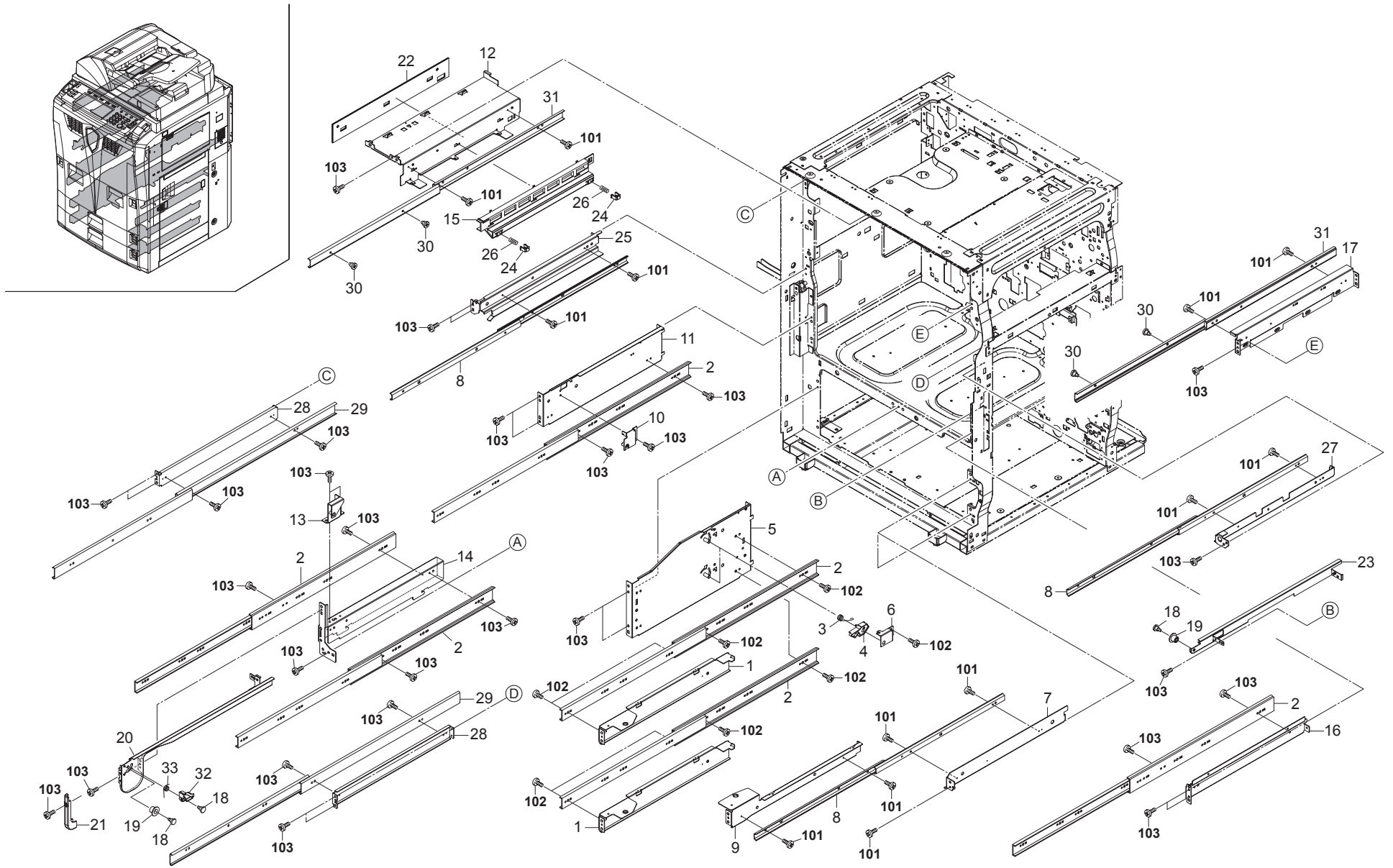


FIG. 3 Frames II

2FB/2FC-2.0

SP	Ref. No.	Part.No.	Alternative.	Description	120
	1	302FB07900	2FB07900	RAIL CASSETTE LEFT	2
	2	302FB07910	2FB07910	SLIDER DECK	6
	3	2BG06720		SPRING CASS HOOK	2
	4	2BG06420		HOOK CASSETTE	2
	5	2FB07090		LEFT CASSETTE STAY	1
	6	302FB07350	2FB07350	RETAINER CASSETTE HOOK	2
	7	2FB07220		MOUNT CASSETTE SLIDER R	2
	8	302FB07480	2FB07480	SLIDER CASSETTE B	4
	9	2FB07070		RAIL CASSETTE R	2
	10	2FB04600		RETAINER DECK RELEASE L	1
	11	302BC02102	2BC02102	LOWER LEFT REINFORCEMENT	1
	12	2FB08510		LEFT MOUNT IMAGE SLIDER	1
	13	2FB04590		RETAINER DECK RELEASE R	1
	14	2FB07200		RIGHT MOUNT DECK SLIDER	1
	15	2FB23040		LEFT DUCT CLEANING	1
	16	302FB02180	2FB02180	RIGHT MOUNT DECK SLIDER	1
	17	2FB08530		RIGHT MOUNT IMAGE SLIDER	1
	18	2FB06710		PIN CASSETTE RAIL	3
	19	2FB06900		PULLEY CASSETTE RAIL	2
	20	2FB06930		LEFT RAIL FRAME	1
	21	2FB06950		COVER LEFT RAIL FRAME	1
	22	302FB08680	2FB08680	FILM LEFT IMAGE SLIDER	1
	23	2FB06940		RIGHT RAIL FRAME	1
	24	2FB07330		STOPPER BYPASS TABLE	2
	25	2FB19530		LEFT SLIDER	1
	26	2FB19810		SPRING A LOWER GUIDE	2
	27	2FB19520		RIGHT SLIDER	1
	28	2BC16310		MOUNT, CONVEYING SLIDER	2
	29	302FB16310	2FB16310	SLIDER COVEYING	2
	30	2FB08450		PIN IMAGE FORMATION	4
	31	2FB08500		SLIDER IMAGE FORMATION	2
	32	302FB07440	2FB07440	STOPPER DECK FEED	1
	33	302FB07450	2FB07450	SPRING DECK FEED STOPPER	1

SP	Ref. No.	Part.No.	Alternative.	Description	120
	101	5MBTPB3006TW++R	B1A53060	BIND T.T SCREW(+)/ M3 X 6 CRFREE S-T	
	102	5MBTPB4006TW++R	B1A54060	BIND T.T SCREW(+)/ M4 X 6 CRFREE S-T	
	103	B1A54080		+BIND TAP-TITE S SCREW M4X08	

- Parts with "*" are component parts or sub-assemblies of the assembly appearing immediately above them.
- Parts with "⊙" indicates the spare parts.

- Parts with "••" are component parts or sub-assembly with "•" appearing immediately above them.

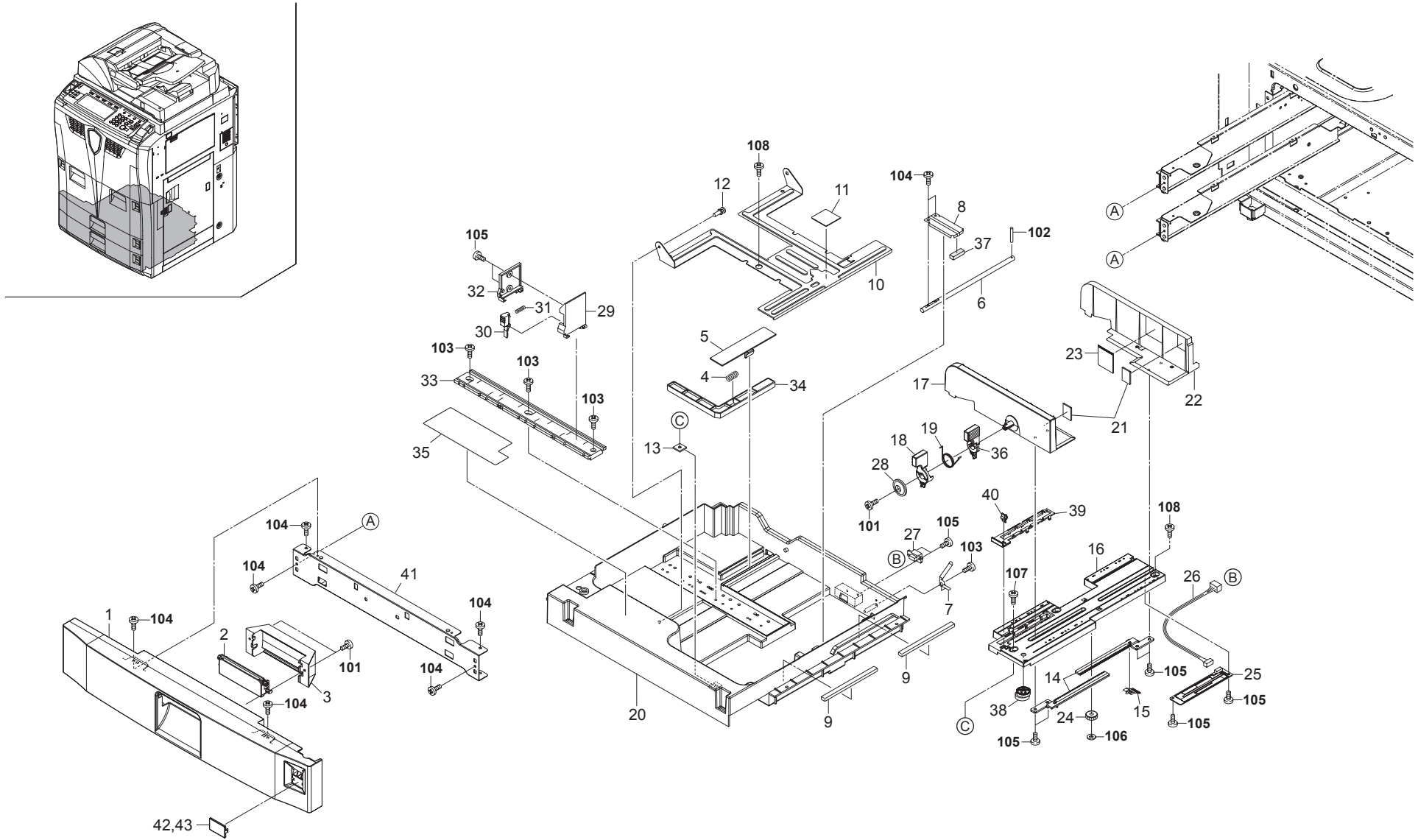


FIG. 4 Paper Cassette

2FB/2FC-3

SP	Ref. No.	Part.No.	Alternative.	Description	120
⊙	1	2FB04280		COVER CASSETTE	2
⊙	2	2FB04310		HANDLE CASSETTE	2
	3	302FB04630	2FB04630	MOUNT CASSETTE RELEASE	2
	4	66106080		SPRING,PAD	2
	5	33907160		LID,PAPER SIZE DETECTION	2
	6	2BC06710		SHAFT,LIFT CASSETTE	2
	7	2BC07830		GROUND PLATE,CASSETTE	2
	8	302BC06091	2BC06091	WORK PLATE,LIFT CASSETTE	2
	9	33907210		CUSHION,CASSETTE WORK PLATE	4
	10	3033907021	33907021	WORK PLATE,CASSETTE	2
	11	66107100		PAD,CASSETTE	2
	12	66007310		PIN,CASSETTE WORK PLATE	2
	13	3CY06030		RETAINER M4	2
	14	3CY06090		RACK CURSOR	4
	15	2BC07860		TERMINAL,PAPER SIZE DETECTION	2
	16	302FB07013	2FB07013	RAIL CURSOR A	2
	17	302FB07022	2FB07022	FRONT CURSOR CASSETTE	2
	18	302FB07032	2FB07032	LEVER CURSOR A	2
	19	2FB07060		SPRING CURSOR	2
	20	302BC06703	2BC06703	CASSETTE	2
	21	60907170		CUSHION,CASSETTE R	4
	22	303CY06051	3CY06051	CURSOR B,CASSETTE	2
⊙	23	61705110		LABEL,PAPER UPPER LIMIT	2
⊙	24	3CY06100		GEAR 20,CURSOR	2
⊙	25	2FG01020		SIZE DETECTION ASS'Y	2
	26	302FB27662	2FB27662	WIRE CASSETTE UNIT	2
	27	7YCC08B2046+H01	YC026110	CONNECTOR	2
	28	2FB07050		PIN CURSOR	2
	29	3CY06071		CURSOR C,CASSETTE	2
	30	33907080		LEVER,CASSETTE CURSOR	2
	31	2BC06950		SPRING,CURSOR	2
	32	3CY06080		LID C,CURSOR	2
	33	33907120		RAIL C,CURSOR	2
	34	303CY06120	3CY06120	DETECTION PLATE,PAPER SIZE	2
⊙	35	302FB05270	2FB05270	LABEL CASSETTE	2
	36	302FB07042	2FB07042	LEVER CURSOR B	2
	37	302FB07470	2FB07470	SPONGE LIFT CASSETTE	2
	38	302FB07340	2FB07340	ADJUSTING PLATE CASSETTE	2
	39	302FB07400	2FB07400	SUPPORT PLATE CASSETTE	2
	40	302FB07420	2FB07420	PIN CASSETTE	2
	41	2BG06430		RAIL CASSETTE C	2
⊙	42	5MVX321CE001	3CF04050	PLATE NUMBER 3 /3CF0405 A4	1
⊙	43	3CF04060		PLATE NUMBER4	1

SP	Ref. No.	Part.No.	Alternative.	Description	120
	101	5MBTPB3008PW++R	B1A63080	BIND T.T SCREW(+)/ M3 X 8 CRFREE P-T	
	102	5MBP2514WXSP	E0025250	SPRING PIN /M2.5 X 14 S-BLK	
	103	B1B64080		+BIND TAP-TITE P SCREW M4X08	
	104	B1A54080		+BIND TAP-TITE S SCREW M4X08	
	105	BAA63080		+TP TAP-TITE P SCREW M3X08	
	106	5MBCS4025XSP	D4000400	CS STOP RING /X 4 X .25T S-BLK	
	107	B4B04080		+TP-A SCREW M4X08(TRIVALENT CHROMATING)	
	108	BAB64080		+TP TAP-TITE P SCREW 4X8	

- Parts with "*" are component parts or sub-assemblies of the assembly appearing immediately above them.
- Parts with "⊙" indicates the spare parts.

- Parts with "••" are component parts or sub-assembly with "•" appearing immediately above them.

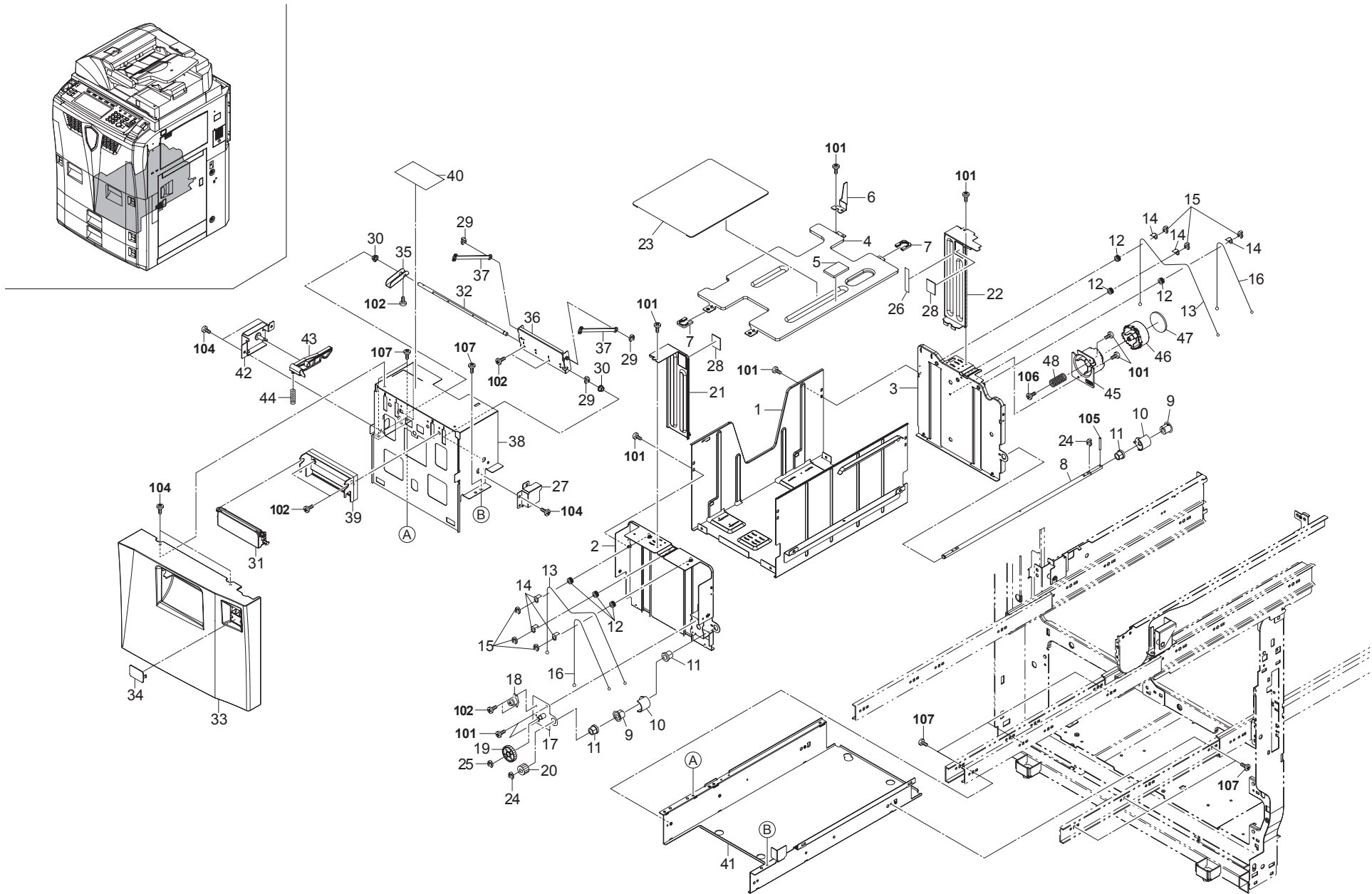


FIG. 5 Paper Deck Unit I

2FB/2FC-3

SP	Ref. No.	Part.No.	Alternative.	Description	120
	1	2FB07100		BASE DECK	1
	2	302BC07232	2BC07232	FRONT FRAME B,DECK	1
	3	302BC07241	2BC07241	REAR FRAME B,DECK	1
	4	2BC07170		LIFT PLATE,DECK	1
⊙	5	3BC07320		PAD,LIFT	1
	6	302FB07890	2FB07890	ACTUATOR REM DETECTION	1
	7	2BC07120		SPACER,DECK LIFT	2
	8	2FB07290		SHAFT LCF LIFT	1
⊙	9	2BC07020		FRONT PULLEY,LIFT DRIVE	2
	10	2BC07040		HOLDER,WIRE	2
⊙	11	2BC06510		BUSHING 8	3
⊙	12	2BC07050		PULLEY,LIFT WIRE	6
⊙	13	2BC07340		LEFT WIRE B,LIFT	2
	14	2BC07060		HOLDER,WIRE PULLEY	6
⊙	15	5MVX111DN003	2A806250	RING STOPPER /A-49 FEED A4	6
⊙	16	2BC07330		LEFT WIRE A,LIFT	2
	17	302BC07101	2BC07101	MOUNT,DECK DAMPER	1
⊙	18	2BC07030		DAMPER,DECK LIFT PLATE	1
⊙	19	63822220		GEAR,41	1
⊙	20	2BC07110		GEAR 20	1
	21	302FB07460	2FB07460	FRONT CURSOR DECK	1
	22	302FB07430	2FB07430	REAR CURSOR DECK	1
	23	2BC07200		FILM,LIFT PLATE	1
⊙	24	2BC06980		STOPPER 5	2
⊙	25	302FB20900	2FB20900	STOPPER 5 FUSER	1
⊙	26	2BC05240		LABEL,UPPER LIMIT	1
	27	2BC07890		PROTECTING PLATE,DECK DAMPER	1
	28	60907170		CUSHION,CASSETTE R	2
⊙	29	5MVX111DN003	2A806250	RING STOPPER /A-49 FEED A4	3
⊙	30	2BG22970		BUSH 6 EW	2
⊙	31	2FB04310		HANDLE CASSETTE	1
	32	2FB04640		SHAFT DECK RELEASE	1
⊙	33	2FB04290		COVER DECK A	1
⊙	34	2BL04310		PLATE NUMBER	1
	35	2FB04610		LEVER DECK RELEASE	1
	36	2FB04650		WORKING PLATE DECK SHAFT	1
	37	2FB04670		PIN DECK RELEASE	2
	38	2FB04340		MOUNT DECK COVER	1
	39	2FB04660		MOUNT DECK RELEASE	1
	40	302FB05280	2FB05280	LABEL DECK	1
	41	2FB07320		MOUNT BASE DECK SLIDER	1
	42	2FB04580		MOUNT DECK HOOK	1
	43	2FB04620		HOOK DECK RELEASE	1
	44	302FB04680	2FB04680	SPRING DECK RELEASE	1
	45	302FB07360	2FB07360	REAR REINFORCEMENT A DECK	1
	46	302FB07370	2FB07370	REAR REINFORCEMENT B DECK	1
	47	302FB07380	2FB07380	SHEET DECK REINFORCEMENT	1
	48	302FB07410	2FB07410	SPRING DECK DAMPER	1

SP	Ref. No.	Part.No.	Alternative.	Description	120
	101	5MBSP43006NW++R	B4A03060	TP HEAD SCREW(+)/ M3 X 6 DRFREE	
	102	5MBTPB3006TW++R	B1A53060	BIND T.T SCREW(+)/ M3 X 6 CRFREE S-T	
	103	5MBTPB3008PW++R	B1A63080	BIND T.T SCREW(+)/ M3 X 8 CRFREE P-T	
	104	B1A54080		+BIND TAP-TITE S SCREW M4X08	
	105	E0030240	48129504	SPRING PIN 3X24	
	106	BAB64080		+TP TAP-TITE P SCREW 4X8	
	107	B4A04060		+TP-A SCREW M4X06(TRIVALENT CHROMATING)	

- Parts with "*" are component parts or sub-assemblies of the assembly appearing immediately above them.
- Parts with "⊙" indicates the spare parts.

- Parts with "••" are component parts or sub-assembly with "•" appearing immediately above them.

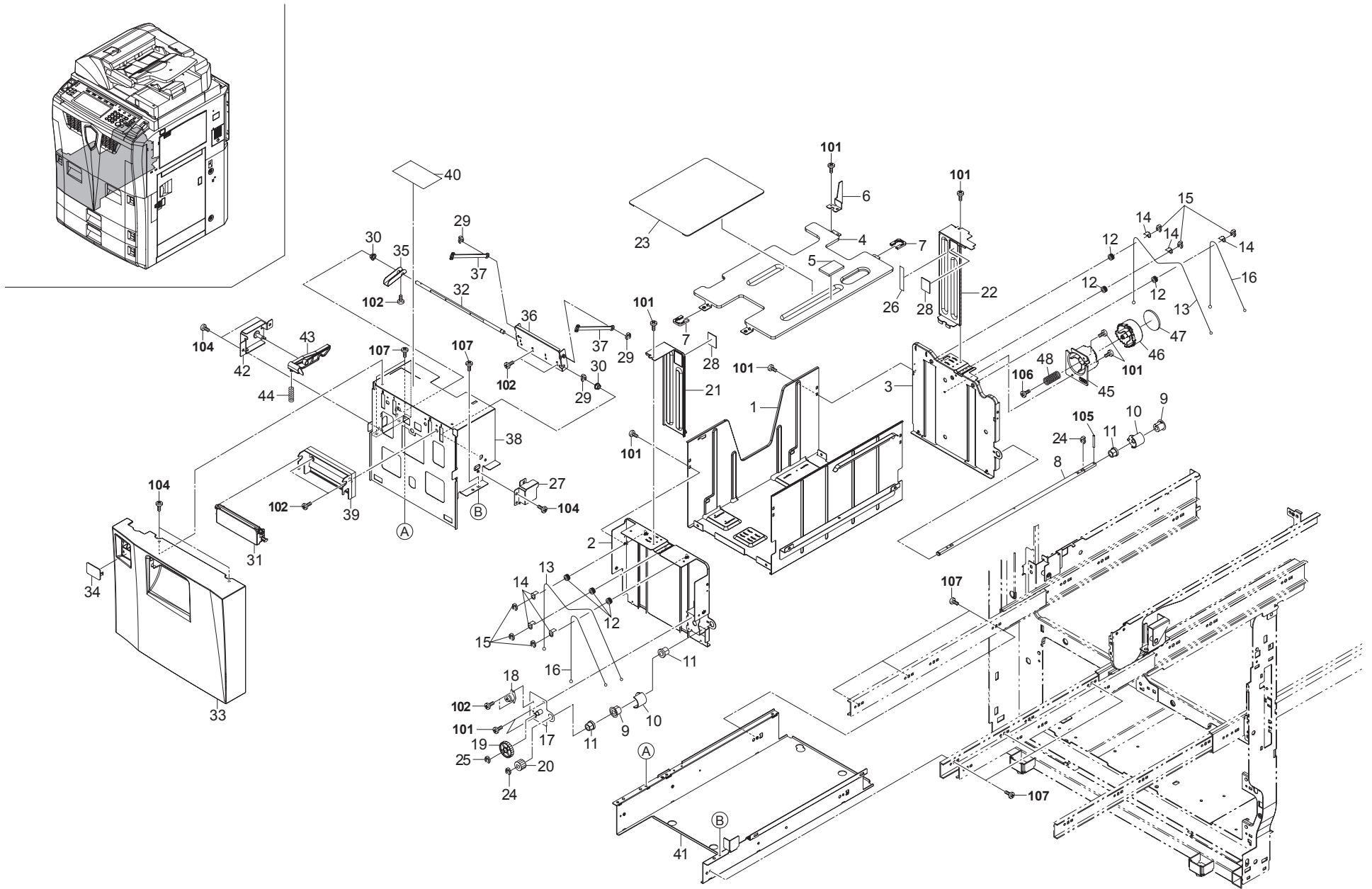


FIG. 6 Paper Deck Unit II

2FB/2FC-3

SP	Ref. No.	Part.No.	Alternative.	Description	120
	1	2FB07100		BASE DECK	1
	2	302BC07232	2BC07232	FRONT FRAME B,DECK	1
	3	302BC07241	2BC07241	REAR FRAME B,DECK	1
	4	2BC07170		LIFT PLATE,DECK	1
⊙	5	3BC07320		PAD,LIFT	1
	6	302FB07890	2FB07890	ACTUATOR REM DETECTION	1
	7	2BC07120		SPACER,DECK LIFT	2
	8	2FB07290		SHAFT LCF LIFT	1
⊙	9	2BC07020		FRONT PULLEY,LIFT DRIVE	2
	10	2BC07040		HOLDER,WIRE	2
⊙	11	2BC06510		BUSHING 8	3
⊙	12	2BC07050		PULLEY,LIFT WIRE	6
⊙	13	2BC07340		LEFT WIRE B,LIFT	2
	14	2BC07060		HOLDER,WIRE PULLEY	6
⊙	15	5MVX111DN003	2A806250	RING STOPPER /A-49 FEED A4	6
⊙	16	2BC07330		LEFT WIRE A,LIFT	2
	17	302BC07101	2BC07101	MOUNT,DECK DAMPER	1
⊙	18	2BC07030		DAMPER,DECK LIFT PLATE	1
⊙	19	63822220		GEAR,41	1
⊙	20	2BC07110		GEAR 20	1
	21	302FB07460	2FB07460	FRONT CURSOR DECK	1
	22	302FB07430	2FB07430	REAR CURSOR DECK	1
	23	2BC07200		FILM,LIFT PLATE	1
⊙	24	2BC06980		STOPPER 5	2
⊙	25	302FB20900	2FB20900	STOPPER 5 FUSER	1
⊙	26	2BC05240		LABEL,UPPER LIMIT	1
	27	2BC07890		PROTECTING PLATE,DECK DAMPER	1
	28	60907170		CUSHION,CASSETTE R	2
⊙	29	5MVX111DN003	2A806250	RING STOPPER /A-49 FEED A4	3
⊙	30	2BG22970		BUSH 6 EW	2
⊙	31	2FB04310		HANDLE CASSETTE	1
	32	2FB04640		SHAFT DECK RELEASE	1
⊙	33	2FB04300		COVER DECK B	1
⊙	34	2BL04370		PLATE NUMBER 2	1
	35	2FB04610		LEVER DECK RELEASE	1
	36	2FB04650		WORKING PLATE DECK SHAFT	1
	37	2FB04670		PIN DECK RELEASE	2
	38	2FB04340		MOUNT DECK COVER	1
	39	2FB04660		MOUNT DECK RELEASE	1
	40	302FB05280	2FB05280	LABEL DECK	1
	41	2FB07320		MOUNT BASE DECK SLIDER	1
	42	2FB04580		MOUNT DECK HOOK	1
	43	2FB04620		HOOK DECK RELEASE	1
	44	302FB04680	2FB04680	SPRING DECK RELEASE	1
	45	302FB07360	2FB07360	REAR REINFORCEMENT A DECK	1
	46	302FB07370	2FB07370	REAR REINFORCEMENT B DECK	1
	47	302FB07380	2FB07380	SHEET DECK REINFORCEMENT	1
	48	302FB07410	2FB07410	SPRING DECK DAMPER	1

SP	Ref. No.	Part.No.	Alternative.	Description	120
	101	5MBSP43006NW++R	B4A03060	TP HEAD SCREW(+)/ M3 X 6 DRFREE	
	102	5MBTPB3006TW++R	B1A53060	BIND T.T SCREW(+)/ M3 X 6 CRFREE S-T	
	103	5MBTPB3008PW++R	B1A63080	BIND T.T SCREW(+)/ M3 X 8 CRFREE P-T	
	104	B1A54080		+BIND TAP-TITE S SCREW M4X08	
	105	E0030240	48129504	SPRING PIN 3X24	
	106	BAB64080		+TP TAP-TITE P SCREW 4X8	
	107	B4A04060		+TP-A SCREW M4X06(TRIVALENT CHROMATING)	

- Parts with "*" are component parts or sub-assemblies of the assembly appearing immediately above them.
- Parts with "⊙" indicates the spare parts.

- Parts with "••" are component parts or sub-assembly with "•" appearing immediately above them.

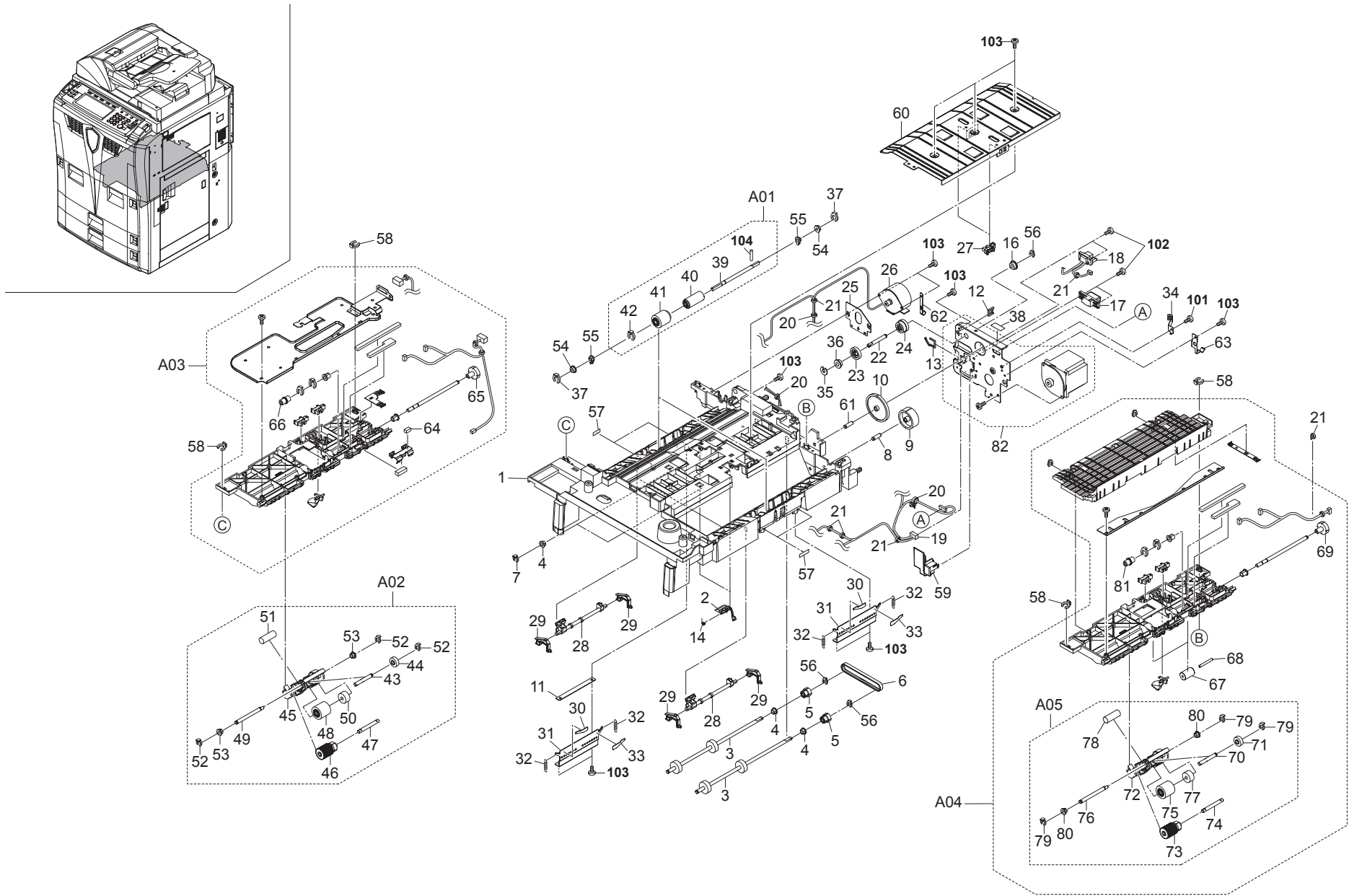


FIG. 7 Deck Feed Section I

2FB/2FC-3

SP	Ref. No.	Part.No.	Alternative.	Description	120
	1	2FB06500		HOUSING DECK FEED 1/4	1
⊙	2	2FB06620		LEVER D FEED SW	2
⊙	3	2FB06550		ROLLER DECK FEED	2
⊙	4	3CY07080		BUSHING 6	4
⊙	5	2FB06600		PULLEY DECK	2
⊙	6	2FB06670		BELT DECK FEED	1
⊙	7	5MVL177DN001	2FB06810	RING STOPPER 4	2
	8	2FB06530		SHAFT LOWER DECK A	1
	9	302FB09300	2FB09300	GEAR IDLE 50	1
⊙	10	2FB06570		GEAR IDLE B	1
	11	302FB09470	2FB09470	FILM DECK SEPARATION	1
	12	M2104390		EDGING,EDS-0607L(KITAGAWA)	1
	13	M2104250		EDGING,EDS-17L(KITAGAWA)	1
	14	2BL21260		SPRING ACTUATOR L	2
⊙	16	68822330		BEARING,DRIVE	1
	17	7YCC22K2001+H01	YC014640	CONNECTOR	1
	18	2FB27670		WIRE DECK MOTOR	1
	19	2FB27360		WIRE DECK UNIT SW	1
	20	M21AH010		BAND,RSG-130-V0(KITAGAWA)	3
	21	M2107240		BAND,KI-100(KITAGAWA)	6
	22	302FB06541	2FB06541	SHAFT LOWER DECK B	1
⊙	23	302FB06591	2FB06591	GEAR DECK	1
⊙	24	2FB19620		GEAR 27/24 ONE-WAY L	1
⊙	25	2FB06160		MOUNT MOTOR	1
⊙	26	2FB27110		MOTOR FEED	1
⊙	27	2C927210		SENSOR 248NL1	2
⊙	28	2FB06170		LEVER SEPARATION RE	2
	29	2FB06180		LEVER SEPARATION	4
	30	302FB09451	2FB09451	FILM FEED SPRING F	2
	31	302FB09251	2FB09251	MOUNT SPRING	2
	32	302FB09260	2FB09260	SPRING SEPARATION	4
	33	302FB09461	2FB09461	FILM FEED SPRING R	2
	34	302FB09320	2FB09320	GROUND PLATE DECK UNIT	1
	35	2BL16290		CUT WASHER 3	1
⊙	36	74808080		BEARING,686ZZNR	1
⊙	37	5MVX111DN007	2BT11070	STOPPER 3 /2BT1107 A4	4
	38	302FB05430	2FB05430	LABEL DECK TEMP	1
⊙	A01	302FB94030	2FB94030	PARTS,LOWER PULLEY FEED ASSY SP	2
	39	*302FB06091	2FB06091	LOWER SHAFT FEED	2
⊙	40	*2FB17610		TORQUE LIMITER MP	2
⊙	41	*2FB06080		LOWER PULLEY FEED	2
⊙	42	*5MVL177DN001	2FB06810	RING STOPPER 4	2
⊙	A02	302FB94020	2FB94020	PARTS,UPPER PULLEY FEED ASSY SP	1
	43	*2FB06110		SHAFT IDLE	1
⊙	44	*2AV22310		GEAR,16 IDLE	1
	45	*2FB06030		HOUSING LEADING FEED	1
⊙	46	*2FB06040		PULLEY LEADING FEED	1
	47	*2FB06050		SHAFT LEADING FEED	1
⊙	48	*2FB06060		PULLEY FEED	1
	49	*2FB06070		SHAFT FEED	1

SP	Ref. No.	Part.No.	Alternative.	Description	120
⊙	50	*2BC06790		UPPER GEAR,PAPER FEED	1
	51	*2FB06120		SHAFT WEIGHT	1
⊙	52	*5MVL177DN001	2FB06810	RING STOPPER 4	3
⊙	53	*2BG22970		BUSH 6 EW	2
⊙	54	2BG15540		BEARING MR74ZZ	4
	55	302FB06830	2FB06830	BUSHING LOWER PULLEY	4
⊙	56	5MVX111DN003	2A806250	RING STOPPER /A-49 FEED A4	3
	57	302FB09430	2FB09430	FILM SEPARATION	4
⊙	58	2BC06910		STOPPER 6	4
	59	302FB09110	2FB09110	COVER DECK MOTOR WIRE	1
	60	302FB09120	2FB09120	GUIDE DECK FEED	1
	61	302FB09310	2FB09310	SHAFT LOWER DECK C	1
	62	302FB09150	2FB09150	GROUND PLATE MOTOR	1
	63	302FB09140	2FB09140	GROUND PLATE FEED	1
⊙	A03	302FB93271	2FB93271	PARTS,UPPER LEFT DECK FEED ASSY	1
	64	*7ZGSSTG77015H01	ZG020580	SHIELD GASKET	1
⊙	65	*302FB06230	2FB06230	GEAR FEED 27	1
⊙	66	*302FB06151	2FB06151	JOINT DRIVE	1
⊙	A04	302FB93282	2FB93282	PARTS,UPPER RIGHT DECK FEED ASSY	1
	67	*2BC07520		UPPER PULLEY,DECK CONVEYING	2
	68	*2FB06220		SHAFT GUIDE PULLEY	2
	69	*2FB06130		GEAR FEED	1
⊙	A05	*302FB94020	2FB94020	PARTS,UPPER PULLEY FEED ASSY SP	1
	70	**2FB06110		SHAFT IDLE	1
⊙	71	**2AV22310		GEAR,16 IDLE	1
	72	**2FB06030		HOUSING LEADING FEED	1
⊙	73	**2FB06040		PULLEY LEADING FEED	1
	74	**2FB06050		SHAFT LEADING FEED	1
⊙	75	**2FB06060		PULLEY FEED	1
	76	**2FB06070		SHAFT FEED	1
⊙	77	**2BC06790		UPPER GEAR,PAPER FEED	1
	78	**2FB06120		SHAFT WEIGHT	1
⊙	79	*5MVL177DN001	2FB06810	RING STOPPER 4	3
⊙	80	*2BG22970		BUSH 6 EW	2
⊙	81	*302FB06151	2FB06151	JOINT DRIVE	1
⊙	82	302FB93250	2FB93250	PARTS,MOTER DECK FEED ASSY	1
	101	5MBTPB3006TW++R	B1A53060	BIND T.T SCREW(+)/ M3 X 6 CRFREE S-T	
	102	5MBTPB3010TW++R	B1A53100	BIND T.T SCREW(+)/ M3 X 10 CRFREE S-T	
	103	5MBTPB3008PW++R	B1A63080	BIND T.T SCREW(+)/ M3 X 8 CRFREE P-T	
	104	5MBP2010WXSP	E0020100	SPRING PIN / M2 X 10 S-BLK	

- Parts with "*" are component parts or sub-assemblies of the assembly appearing immediately above them.
- Parts with "⊙" indicates the spare parts.

- Parts with "••" are component parts or sub-assembly with "•" appearing immediately above them.

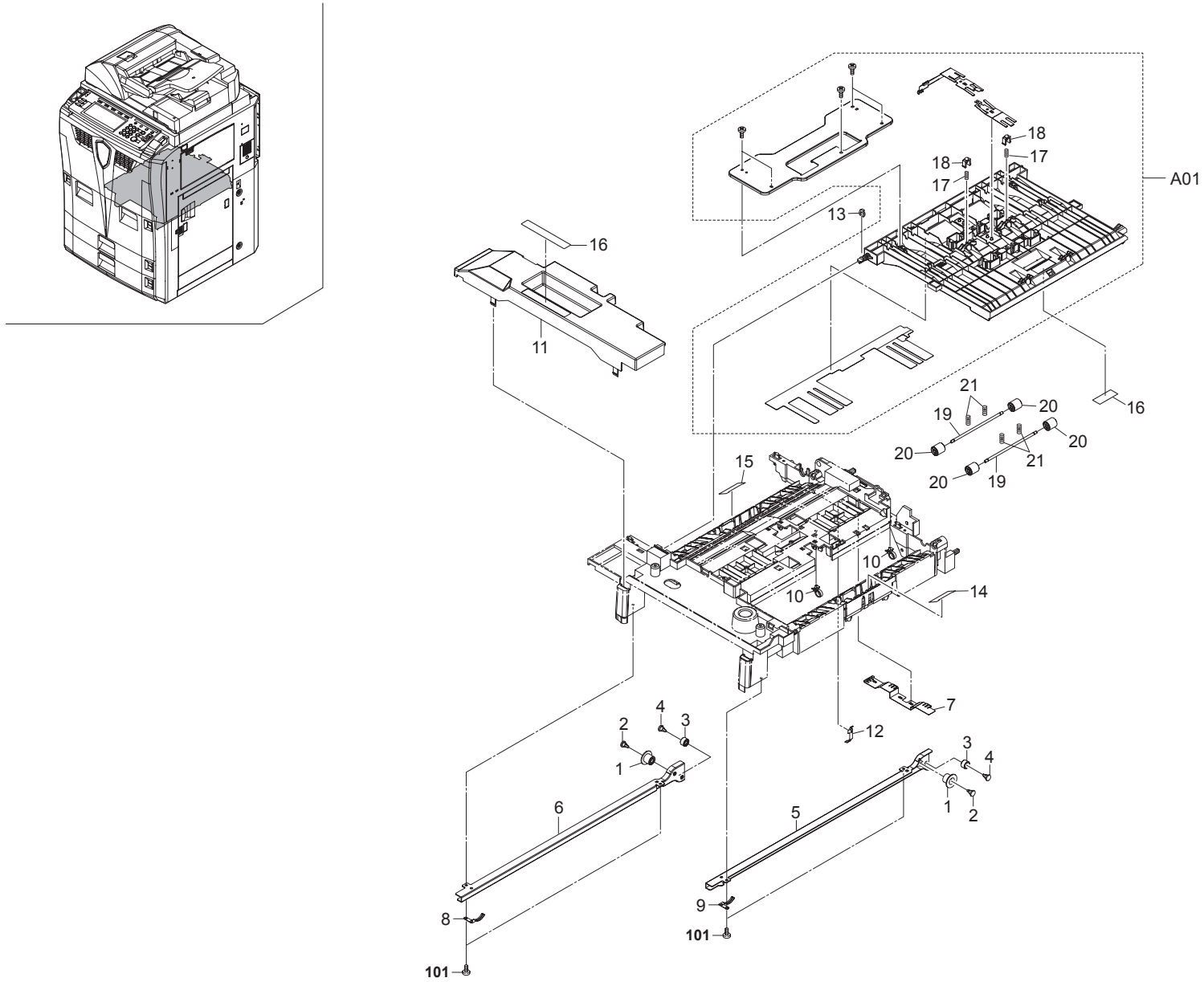


FIG. 8 Deck Feed Section II

2FB/2FC-3

SP	Ref. No.	Part.No.	Alternative.	Description	120
⊙	1	2FB06900		PULLEY CASSETTE RAIL	2
	2	2FB06710		PIN CASSETTE RAIL	2
	3	2BG02240		PULLEY RAIL	2
	4	2BG20350		PIN PULLEY	2
	5	302FB06921	2FB06921	RIGHT RAIL DECK FEED	1
	6	302FB06911	2FB06911	LEFT RAIL DECK FEED	1
	7	302FB09331	2FB09331	GROUND PLATE ROLLER	1
	8	302FB09160	2FB09160	GROUND PLATE LEFT RAIL	1
	9	302FB09170	2FB09170	GROUND PLATE RIGHT RAIL	1
	10	M21AH010		BAND,RSG-130-V0(KITAGAWA)	2
⊙	11	2FB06960		COVER DECK FEED	1
	12	302FB09130	2FB09130	GROUND PLATE DECK GUIDE	1
⊙	13	2BC06910		STOPPER 6	1
	14	302FB09410	2FB09410	FILM FEED C	1
⊙	15	302FB09360	2FB09360	FILM FEED B	1
	16	302FB05170	2FB05170	LABEL JAM C	1
⊙	A01	302FB93260	2FB93260	PARTS,UPPER GUIDE DECK ASS'Y	1
	17	*2FB06680		SPRING DECK FEED A	2
⊙	18	*2FB07330		STOPPER BYPASS TABLE	2
	19	2FB06650		SHAFT PULLEY FEED	2
⊙	20	2BL21330		PULLEY FEED SHIFT	4
	21	2FB06690		SPRING DECK FEED B	4

SP	Ref. No.	Part.No.	Alternative.	Description	120
	101	5MBTPB3008PW++R	B1A63080	BIND T.T SCREW(+)/ M3 X 8 CRFREE P-T	

- Parts with "*" are component parts or sub-assemblies of the assembly appearing immediately above them.
- Parts with "⊙" indicates the spare parts.

- Parts with "••" are component parts or sub-assembly with "•" appearing immediately above them.

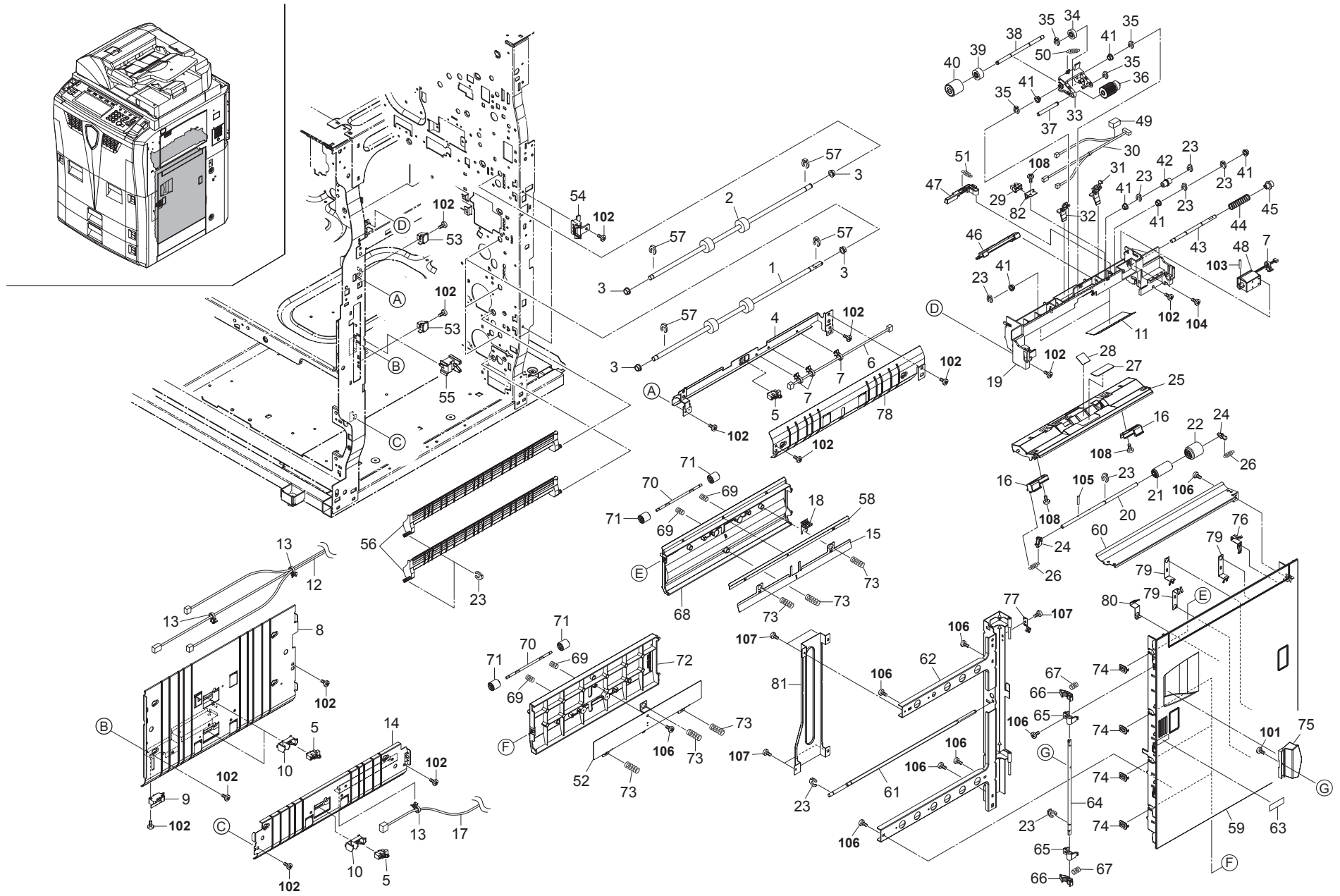


FIG. 9 Paper Feed-in I

2FB/2FC-3

SP	Ref. No.	Part.No.	Alternative.	Description	120
⊙	1	302FB09380	2FB09380	ROLLER FEED VERTICAL	3
⊙	2	302FB09390	2FB09390	ROLLER FEED VERTICAL C	1
⊙	3	2BC06510		BUSHING 8	8
	4	302FB07640	2FB07640	MOUNT FEED GUIDE A	1
⊙	5	302FB27240	2FB27240	SWITCH FEED A	4
	6	2FB27490		WIRE CONVEYING SW 1	1
	7	M2107240		BAND,KI-100(KITAGAWA)	4
	8	2FB00090		LEFT GUIDE B ASSY	1
⊙	9	2FB27160		INTER LOCK SWITCH	1
	10	302FB07741	2FB07741	MOUNT FEED SW	3
	11	302FB17790	2FB17790	SHEET MP HOUSING	2
	12	2FB27500		WIRE CONVEYING SW 2	1
	13	M2107250		BAND,RSG-100(KITAGAWA)	3
	14	2FB00100		LEFT GUIDE C ASSY	1
	15	302FB07661	2FB07661	GROUND RIGHT GUIDE B	1
	16	302FB17810	2FB17810	ADJUSTMENT PLATE MP	2
	17	2FB27930		WIRE CONVEYING SW 3	1
	18	302FB07690	2FB07690	GROUND RIGHT GUIDE E	1
	19	302FB17503	2FB17503	HOUSING MP	1
	20	2FB17530		LOWER SHAFT MP	1
⊙	21	302FB17840	2FB17840	TORQUE LIMITER BYPASS	1
⊙	22	2FB06080		LOWER PULLEY FEED	1
⊙	23	5MVL177DN001	2FB06810	RING STOPPER 4	10
	24	2FB17620		SUPPORT PAD ROLLER	2
	25	2FB17510		LOWER GUIDE MP	1
	26	2FB17630		SPRING MP PAD	2
⊙	27	33906400		FRICTION PLATE,BYPASS	1
⊙	28	302FB17760	2FB17760	PAD MP	1
⊙	29	2C927210		SENSOR 248NL1	1
	30	2FB27430		WIRE BYPASS PAPER FEED	1
	31	302FB17582	2FB17582	LEVER PE	1
	32	2FB17570		STOPPER PAPER	1
	33	2FB17540		SUPPORT PLATE MP	1
⊙	34	29822230		GEAR 16T,PF IDLE	1
⊙	35	5MVX111DN003	2A806250	RING STOPPER /A-49 FEED A4	4
⊙	36	2FB06040		PULLEY LEADING FEED	1
	37	2FB17600		SHAFT LEADING MP	1
	38	2FB17650		SHAFT FEED MP	1
⊙	39	2BC06790		UPPER GEAR,PAPER FEED	1
⊙	40	2FB06060		PULLEY FEED	1
⊙	41	2BG22970		BUSH 6 EW	6
⊙	42	302FB06151	2FB06151	JOINT DRIVE	1
	43	2FB17520		SHAFT MP FEED	1
	44	2FB17670		SPRING JOINT MP	1
⊙	45	2FB17640		JOINT MP	1
	46	2FB17560		LEVER STOPPER RELEASE	1
	47	2FB17550		LEVER MP SOLENOID	1
⊙	48	302FB25180	2FB25180	SOLENOID LEADING FEED	1
⊙	49	2BL14480		SEAL WIRE	1
	50	2FB17680		SPRING LEADING FEED MP	1

SP	Ref. No.	Part.No.	Alternative.	Description	120
	51	2FB17690		SPRING SOLENOID	1
	52	302FB07680	2FB07680	GROUND RIGHT GUIDE D	3
	53	2FB07790		LATCH PLATE HOOK	2
	54	2FB07760		HINGE VERTICAL FEED	2
	55	302FB07771	2FB07771	HOLDER VERTICAL CONVEYING	1
	56	302FB07731	2FB07731	LEFT OPEN GUIDE	2
⊙	57	5MVL177DN002	2FB06820	RING STOPPER 6	8
	58	302FB07650	2FB07650	GROUND RIGHT GUIDE A	1
⊙	59	2FB07500		COVER VERTICAL FEED 1/2	1
	60	2FB07540		UPPER GUIDE SIDE DECK	1
	61	2FB07610		SHAFT SIDE DECK	1
	62	2FB07510		REAR FRAME V FEED	1
	63	302FB05380	2FB05380	LABEL VFEEED CAUTION	1
	64	2FB07570		SHAFT RELEASE HOOK	1
	65	2FB07620		HOLDER RELEASE SHAFT	2
	66	2FB07560		HOOK VERTICAL FEED	2
	67	3H608230		SPRING C PULLEY	2
	68	302FB07521	2FB07521	RIGHT GUIDE A VF	1
	69	2FB07800		SPRING FEED PULLEY	8
	70	2FB07600		SHAFT FEED PULLEY	4
⊙	71	2BL21330		PULLEY FEED SHIFT	8
	72	2FB07530		RIGHT GUIDE B VF	3
	73	2FB07810		SPRING FEED GUIDE	12
	74	302FB07870	2FB07870	BUSHING FEED GUIDE	4
	75	2FB07590		RIGHT HANDLE FEED RELEASE	1
	76	302FB07920	2FB07920	PLATE EARTH VF A	1
	77	302FB07930	2FB07930	PLATE EARTH VF B	1
	78	2FB07700		LEFT GUIDE A	1
	79	302FB07940	2FB07940	GROUND PLATE VFC A	3
	80	302FB07950	2FB07950	GROUND PLATE VTC B	1
	81	302FB07960	2FB07960	STAY V FEED COVER	1
	82	302FB17851	2FB17851	HOLDER MP PE SW	1
	101	B4A03100		+TP-A SCREW M3X10(TRIVALENT CHROMATING)	
	102	B1A54080		+BIND TAP-TITE S SCREW M4X08	
	103	E0030140	48126628	SPRING PIN 3X14	
	104	5MBS43006NW++R	B4A03060	TP HEAD SCREW(+)/ M3 X 6 DRFREE	
	105	5MBP2010WXSP	E0020100	SPRING PIN / M2 X 10 S-BLK	
	106	5MBTPB3008PW++R	B1A63080	BIND T.T SCREW(+)/ M3 X 8 CRFREE P-T	
	107	5MBTPB3006TW++R	B1A53060	BIND T.T SCREW(+)/ M3 X 6 CRFREE S-T	
	108	BAA63080		+TP TAP-TITE P SCREW M3X08	

- Parts with "*" are component parts or sub-assemblies of the assembly appearing immediately above them.
- Parts with "⊙" indicates the spare parts.

- Parts with "••" are component parts or sub-assembly with "•" appearing immediately above them.

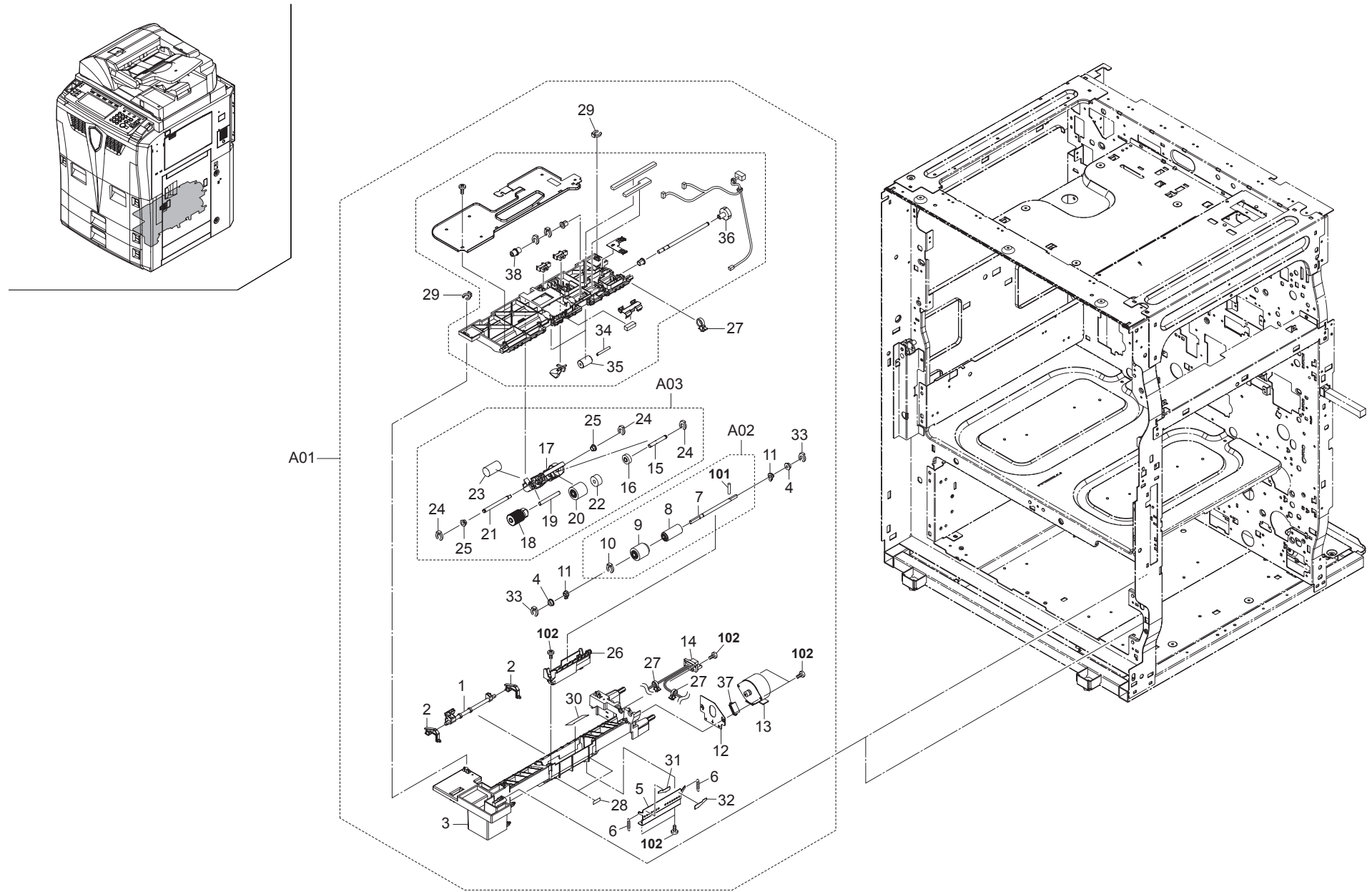


FIG. 10 Paper Feed-in II

2FB/2FC-3

SP	Ref. No.	Part.No.	Alternative.	Description	120
⊙	A01	302FB93241	2FB93241	PARTS,CASSETTE FEED ASSY	2
⊙	1	*2FB06170		LEVER SEPARATION RE	2
	2	*2FB06180		LEVER SEPARATION	4
	3	*2FB06020		LOWER HOUSING FEED 1/2	2
⊙	4	*2BG15540		BEARING MR74ZZ	4
	5	*302FB09251	2FB09251	MOUNT SPRING	2
	6	*302FB09260	2FB09260	SPRING SEPARATION	4
⊙	A02	*302FB94030	2FB94030	PARTS,LOWER PULLEY FEED ASS'Y SP	2
	7	**302FB06091	2FB06091	LOWER SHAFT FEED	2
⊙	8	**2FB17610		TORQUE LIMITER MP	2
⊙	9	**2FB06080		LOWER PULLEY FEED	2
⊙	10	**5MVL177DN001	2FB06810	RING STOPPER 4	2
	11	*302FB06830	2FB06830	BUSHING LOWER PULLEY	4
	12	*2FB06160		MOUNT MOTOR	2
⊙	13	*2FB27110		MOTOR FEED	2
	14	*302FB27471	2FB27471	WIRE PRIMARY PF UNIT	2
⊙	A03	*302FB94020	2FB94020	PARTS,UPPER PULLEY FEED ASS'Y SP	2
	15	**2FB06110		SHAFT IDLE	2
⊙	16	**2AV22310		GEAR,16 IDLE	2
	17	**2FB06030		HOUSING LEADING FEED	2
⊙	18	**2FB06040		PULLEY LEADING FEED	2
	19	**2FB06050		SHAFT LEADING FEED	2
⊙	20	**2FB06060		PULLEY FEED	2
	21	**2FB06070		SHAFT FEED	2
⊙	22	**2BC06790		UPPER GEAR,PAPER FEED	2
	23	**2FB06120		SHAFT WEIGHT	2
⊙	24	**5MVL177DN001	2FB06810	RING STOPPER 4	6
⊙	25	**2BG22970		BUSH 6 EW	4
	26	*302FB09060	2FB09060	HOLDER LOWER SEP	2
	27	*M2107240		BAND,KI-100(KITAGAWA)	6
	28	*302FB09430	2FB09430	FILM SEPARATION	4
⊙	29	*2BC06910		STOPPER 6	4
⊙	30	*302FB09350	2FB09350	FILM FEED A	2
	31	*302FB09451	2FB09451	FILM FEED SPRING F	2
	32	*302FB09461	2FB09461	FILM FEED SPRING R	2
⊙	33	*5MVX111DN007	2BT11070	STOPPER 3 /2BT1107 A4	4
	34	*2FB06220		SHAFT GUIDE PULLEY	4
	35	*2BC07520		UPPER PULLEY,DECK CONVEYING	4
⊙	36	*302FB06230	2FB06230	GEAR FEED 27	2
	37	*7YCC08B1003+H01	YC013920	CONNECTOR 292254-8	2
⊙	38	*302FB06151	2FB06151	JOINT DRIVE	2

SP	Ref. No.	Part.No.	Alternative.	Description	120
	101	5MBP2010WXSP	E0020100	SPRING PIN / M2 X 10 S-BLK	
	102	5MBTPB3008PW++R	B1A63080	BIND T.T SCREW(+)/ M3 X 8 CRFREE P-T	

- Parts with "*" are component parts or sub-assemblies of the assembly appearing immediately above them.
- Parts with "⊙" indicates the spare parts.

- Parts with "••" are component parts or sub-assembly with "•" appearing immediately above them.

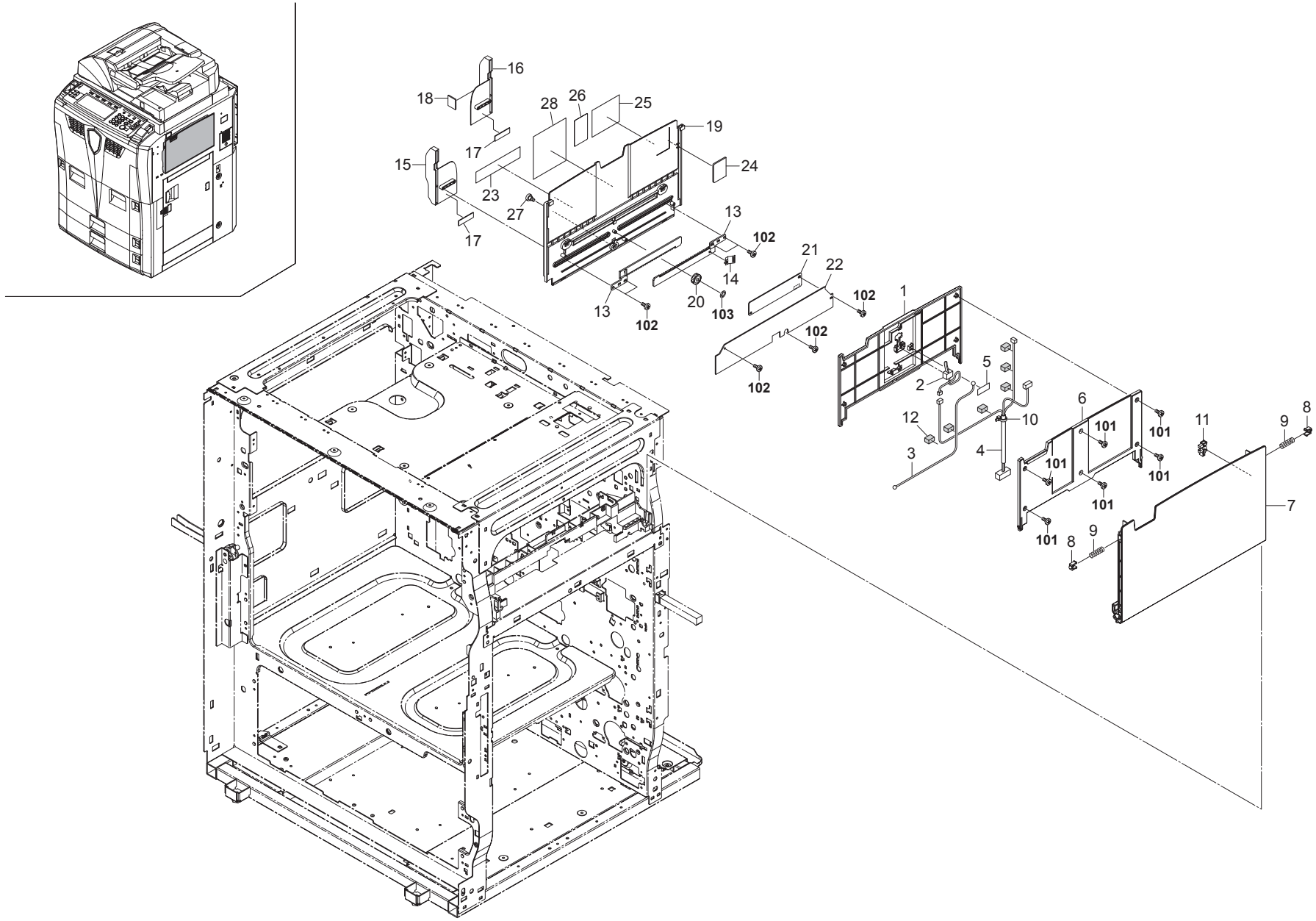


FIG. 11 Paper Feed-in III

2FB/2FC-3

SP	Ref. No.	Part.No.	Alternative.	Description	120
⊙	1	302BC06052	2BC06052	TABLE C,BYPASS	1
⊙	2	302FB25140	2FB25140	SWITCH BYPASS SIZE	1
⊙	3	2BC07340		LEFT WIRE B,LIFT	1
	4	2FB27400		WIRE BYPASS TRAY	1
	5	302FB17730	2FB17730	SEAL BYPASS TABLE	1
⊙	6	302BC06061	2BC06061	TABLE D,BYPASS	1
⊙	7	302BC06034	2BC06034	TABLE A,BYPASS	1
⊙	8	2FB07330		STOPPER BYPASS TABLE	2
⊙	9	302FB17700	2FB17700	SPRING BYPASS TABLE	2
	10	M2107240		BAND,KI-100(KITAGAWA)	1
⊙	11	76727010		ORIGINAL SIZE SWITCH	1
	12	302FB17720	2FB17720	SPONGE BYPASS TABLE	6
	13	2BC06750		RACK,CURSOR	2
	14	2BC07860		TERMINAL,PAPER SIZE DETECTION	1
⊙	15	302FB17770	2FB17770	FRONT CURSOR MP	1
⊙	16	302FB17780	2FB17780	REAR CURSOR MP	1
⊙	17	33906220		PAD,BYPASS CURSOR	2
⊙	18	303H605010	3H605010	LABEL ORIGINAL MAX	1
⊙	19	302BC06046	2BC06046	TABLE B,BYPASS	1
⊙	20	302FB17710	2FB17710	GEAR 18 IDLE DEVELOPING	1
⊙	21	2FG01020		SIZE DETECTION ASS'Y	1
	22	33906900		COVER,CURSOR	1
⊙	23	302FB17750	2FB17750	SIZE INDICATOR BYPASS(I)	1
⊙	24	3BC07320		PAD,LIFT	1
⊙	25	302FB05220	2FB05220	LABEL MP CAUTION PICTURE	1
⊙	26	302FB05360	2FB05360	LABEL MP CAUTION E	1
	27	302FB17800	2FB17800	PIN BYPASS TABLE	1
⊙	28	302FZ08500	2FZ08500	PAD MP L	1

SP	Ref. No.	Part.No.	Alternative.	Description	120
	101	BAB63060		+TP TAP-TITE P SCREW M3X06	
	102	BAA63080		+TP TAP-TITE P SCREW M3X08	
	103	5MBCS4025XSP	D4000400	CS STOP RING /X 4 X .25T S-BLK	

- Parts with "*" are component parts or sub-assemblies of the assembly appearing immediately above them.
- Parts with "⊙" indicates the spare parts.

- Parts with ".•" are component parts or sub-assembly with ".•" appearing immediately above them.

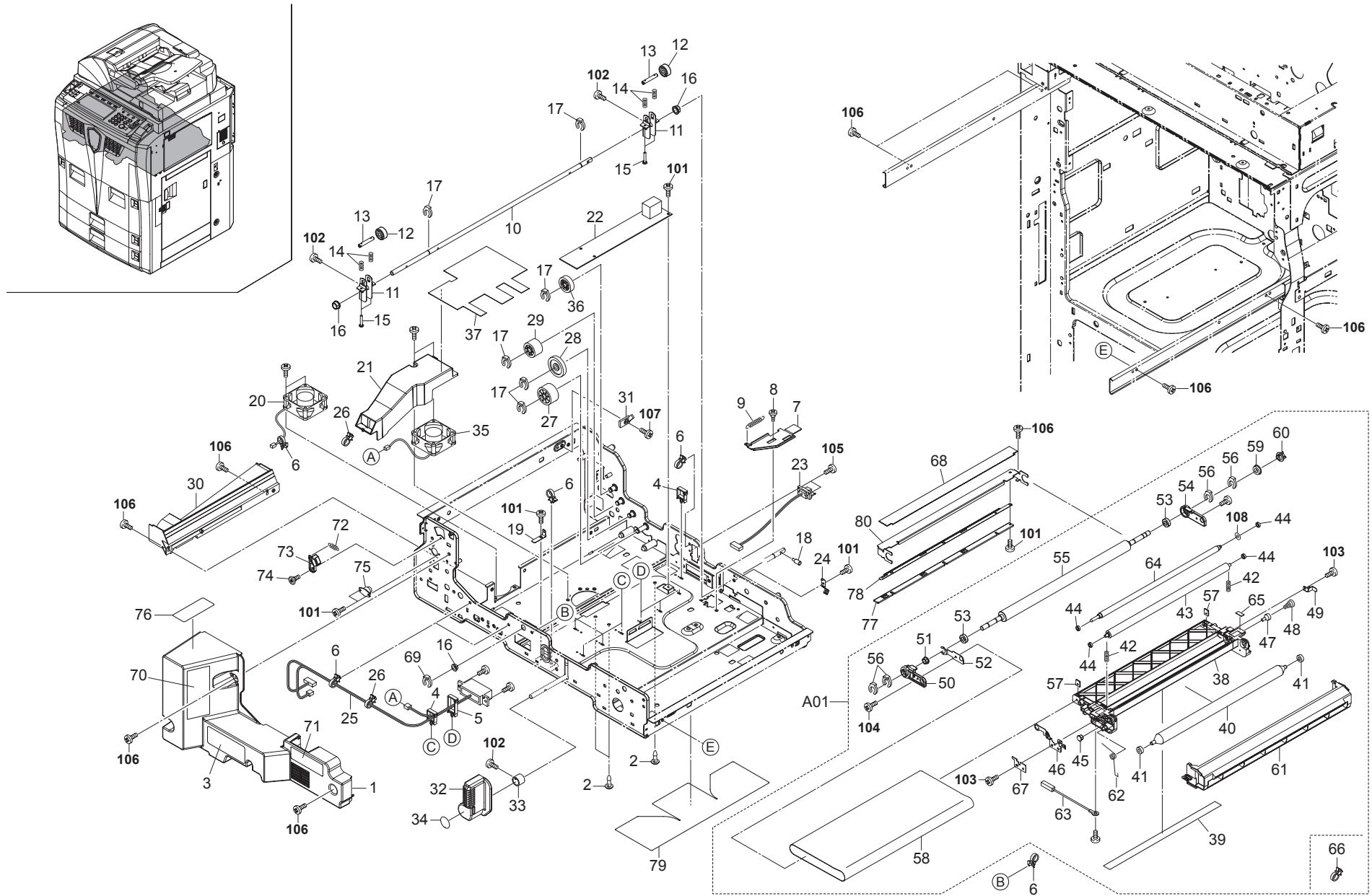


FIG. 12 Paper Conveying I

2FB/2FC-3

SP	Ref. No.	Part.No.	Alternative.	Description	120
⊙	1	2FB04520		LEFT COVER CONVEYING	1
	2	M2108930		SPACER,KGLS-8RT(KITAGAWA)	3
⊙	3	302FB05090	2FB05090	LABEL JAM A1	1
	4	M21AK010		WIRE SADDLE,RLWS-1T V0(KITAGAWA)	5
	5	M21AK050		WIRE SADDLE,RLWS-1515T V0(KITAGAWA)	3
	6	M2107250		BAND,RSG-100(KITAGAWA)	6
	7	2FB16170		HOOK CONVEYING RELEASE	1
	8	2FB16280		PIN DRUM LIFT	1
	9	302FB16340	2FB16340	SPRING CONVEYING RELEASE	1
	10	2FB16190		SHAFT TRANSFER RELEASE	1
	11	2BC16171		SUPPORT PLATE,TRANSFER RELEASE	2
	12	27307190	48927324	PULLEY,CLEANING UNIT	2
	13	2BC16660		SHAFT,TRANSFER RELEASE PULLEY	2
	14	302FB16380	2FB16380	SPRING TRANSFER RELEASE	4
	15	302BC16651	2BC16651	PIN,TRANSFER RELEASE	4
⊙	16	2BC06510		BUSHING 8	3
⊙	17	2BC06910		STOPPER 6	6
	18	302FB16320	2FB16320	PIN ROLLER RELEASE LEVER	1
	19	61716260		TERMINAL A,TC CATCHER	1
⊙	20	2FB27190		FAN 60 COOLING	1
	21	302FB23100	2FB23100	DUCT CONVEYING	1
⊙	22	2FB28160		HIGH VOLTAGE PWB TC	1
	23	2FB27440		WIRE REG MOT JUNCTION	1
	24	302FB07930	2FB07930	PLATE EARTH VF B	1
	25	2FB27410		WIRE CONVEYING UNIT	1
	26	M2107240		BAND,KI-100(KITAGAWA)	2
⊙	27	2FB20700		GEAR 33 CONVEYING IDLE	1
⊙	28	28902020	45728900	GEAR 38T	1
⊙	29	2BC22250		GEAR 27,FEED	1
	30	2BC20500		LOWER DUCT,FIXING EJECT	1
	31	2BC20250		STOPPER,FIXING EJECT GUIDE	1
	32	2FB16260		HANDLE CONVEYING	1
	33	302FB16330	2FB16330	SPACER CONVEYING HANDLE	1
	34	302FB05100	2FB05100	LABEL JAM A2	1
⊙	35	302FB25130	2FB25130	FAN COOLING(60-15TH)	1
⊙	36	2FB21110		GEAR FUSER EJECT JOINT	1
	37	302FB16350	2FB16350	FILM HIGH VOLTAGE PWB	1
⊙	A01	302FB93061	2FB93061	PARTS,TC BELT ASSY	1
	38	*2FB16040		STAY TRANSFER	1
	39	*302FB05080	2FB05080	LABEL UNIT REPLACEMENT	1
⊙	40	*2FB16050		IDLE BELT ROLLER	1
⊙	41	*G3001360		BEARING 686ZZ	2
⊙	42	*2FB16210		SPRING TRANSFER ROLLER	2
⊙	43	*2FB16240		ROLLER TRANSFER	1
⊙	44	*63520170		BUSHING,PRESSING ROLLER	4
⊙	45	*36716240		BUSHING,IDLE ROLLER	1
	46	*302FB16111	2FB16111	GROUND PLATE TRANSFER	1
	47	*36716290		ELECTRODE,TRANSFER	1
	48	*302FB16420	2FB16420	SPRING TRANS ELECTRODE	1
	49	*2FB16250		ELECTRODE TRANSFER	1

SP	Ref. No.	Part.No.	Alternative.	Description	120
⊙	50	*2FB16090		FRONT FRAME TURN	1
	51	*2BG22950		BUSH 8 EW	1
	52	*2FB16120		GROUND PLATE TURN	1
	53	*27505290	45592554	BEARING,DEVELOPING UNIT	2
	54	*2FB16100		REAR FRAME TURN	1
⊙	55	*2FB16060		ROLLER BELT DRIVE	1
⊙	56	*2BC06910		STOPPER 6	4
	57	*302AR09201	2AR09201	MOUNT M3A	2
⊙	58	*302FB93220	2FB93220	PARTS TC BELT SP	1
⊙	59	*60912270		BEARING,688ZZ	1
	60	*2FB16130		JOINT TRANSFER DRIVE	1
	61	*302FB16181	2FB16181	LOWER FRONT GUIDE TRANS	1
	62	*2FB16220		SPRING PRE TRANSFER	1
	63	*2FB27460		WIRE TC FRAME GND	1
⊙	64	*302FB16370	2FB16370	TC GROUND ROLLER	1
	65	*302FB16410	2FB16410	FILM TRANSFER	1
	66	*M2107250		BAND,RSG-100(KITAGAWA)	1
⊙	67	*302FB16430	2FB16430	ADJUSTING PLATE GROUND	1
	68	302FB16300	2FB16300	REAR FILM TRANSFER	1
⊙	69	5MVL177DN002	2FB06820	RING STOPPER 6	1
⊙	70	302FB05250	2FB05250	LABEL CAUTION FUSER	1
⊙	71	302FB05400	2FB05400	LABEL HIGH VOLTAGE CAUTION	1
	72	28122160	48528108	SPRING,JOINT	1
	73	302FB21420	2FB21420	STOPPER HOOK	1
	74	2FB20860		PIN FUSER COVER	1
⊙	75	302FB21430	2FB21430	DAMPER EJECT COVER	1
⊙	76	302FB05390	2FB05390	LABEL JAM A4-A6	1
	77	302FB16390	2FB16390	REAR HOLDER TRANSFER CLEANING	1
⊙	78	302FB16400	2FB16400	REAR BRUSH TRANSFER CLEANING	1
	79	302FB09760	2FB09760	SHEET UPPER DU	1
	80	302FB16290	2FB16290	REAR GUIDE TRANSFER	1
	101	5MBTPB3006TW++R	B1A53060	BIND T.T SCREW(+)/ M3 X 6 CRFREE S-T	
	102	B4A04140		+TP-A SCREW M4X14(TRIVALENT CHROMATING)	
	103	5MBTPB3008PW++R	B1A63080	BIND T.T SCREW(+)/ M3 X 8 CRFREE P-T	
	104	B4A03100		+TP-A SCREW M3X10(TRIVALENT CHROMATING)	
	105	5MBTPB3010TW++R	B1A53100	BIND T.T SCREW(+)/ M3 X 10 CRFREE S-T	
	106	B1A54080		+BIND TAP-TITE S SCREW M4X08	
⊙	107	5MBTPB4006TW++R	B1A54060	BIND T.T SCREW(+)/ M4 X 6 CRFREE S-T	
⊙	108	C2898800		SHIM 5.2-0.5T	

- Parts with "*" are component parts or sub-assemblies of the assembly appearing immediately above them.
- Parts with "⊙" indicates the spare parts.

- Parts with "••" are component parts or sub-assembly with "•" appearing immediately above them.

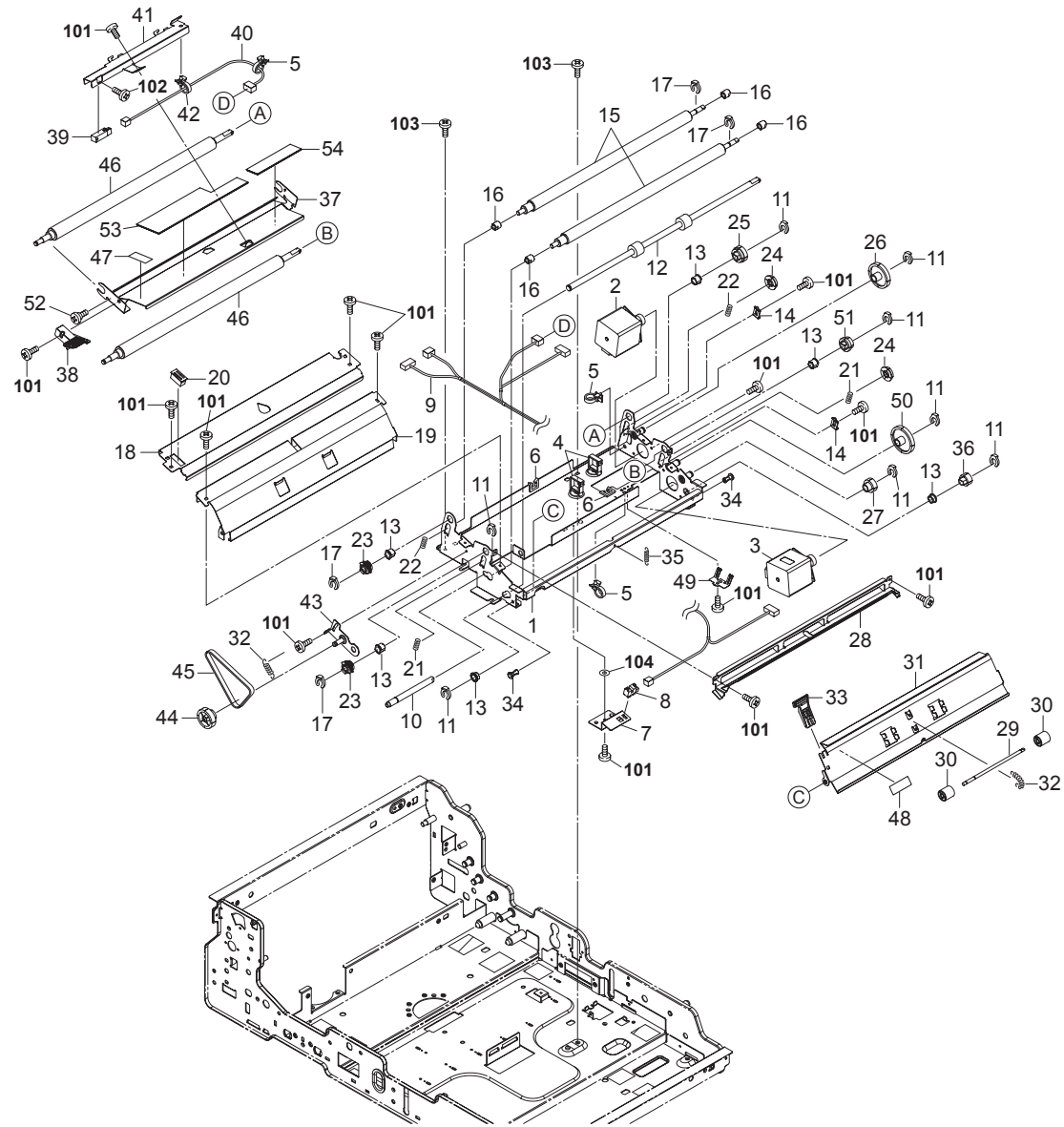
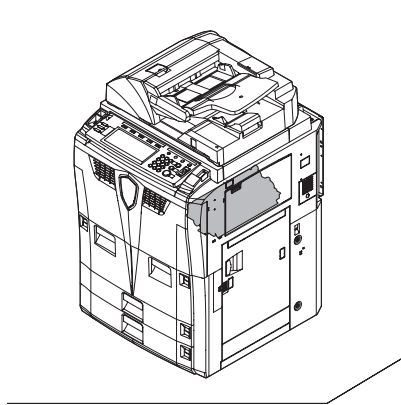


FIG. 13 Paper Conveying II

2FB/2FC-3

SP	Ref. No.	Part.No.	Alternative.	Description	120
	1	2FB17010		HOUSING REGIST	1
⊙	2	2FB27150		MOTOR REGISTRATION	1
⊙	3	302FB27250	2FB27250	MOTOR FEED A	1
	4	7YZM610001++H01	YZ010230	ACCESS SADDLE	2
	5	M2107250		BAND,RSG-100(KITAGAWA)	3
	6	7YZM210001++H01	YZ004370	ACCESS.EDGING	2
	7	302FB17311	2FB17311	MOUNT PLATE FEED SWITCH	1
⊙	8	302FB27240	2FB27240	SWITCH FEED A	1
	9	302FB27421	2FB27421	WIRE FEED UNIT	1
	10	2FB17240		SHAFT FEED HANDLE	1
⊙	11	2BC06910		STOPPER 6	8
⊙	12	2FB17040		ROLLER FEED B	1
⊙	13	2BC06510		BUSHING 8	6
	14	302FB17300	2FB17300	ADJUST PLATE FEED	2
⊙	15	2FB17030		LOWER ROLLER REGIST	2
	16	302FB17270	2FB17270	BUSHING REGIST	4
⊙	17	5MVX111DN003	2A806250	RING STOPPER /A-49 FEED A4	4
	18	2FB17060		LOWER GUIDE REGIST	1
	19	2FB17070		LOWER GUIDE FEED	1
	20	2FB17200		MAGNET UPPER REG GUIDE	1
	21	2FB17150		SPRING REGIST	2
	22	302FB17320	2FB17320	SPRING REGIST A	2
⊙	23	2FB17220		PULLEY 26 ONEWAY FEED	2
⊙	24	2FB22200		GEAR 16 REGIST	2
⊙	25	2FB22830		GEAR 25 FEED A	1
⊙	26	2FB22810		GEAR 43 FEED	1
⊙	27	2FB22820		GEAR 21 FEED	1
	28	302FB17091	2FB17091	UPPER GUIDE FEED A	1
	29	2FB17050		SHAFT FEED PULLEY	1
⊙	30	2BL21330		PULLEY FEED SHIFT	2
	31	302FB17101	2FB17101	UPPER GUIDE FEED B	1
	32	2FB17160		SPRING FEED PULLEY	2
⊙	33	302FB17290	2FB17290	LEVER RELEASE FEED	1
	34	66007310		PIN,CASSETTE WORK PLATE	2
	35	2FB17170		SPRING FEED GUIDE	1
⊙	36	302FB17370	2FB17370	GEAR Z18H FEED	1
	37	2FB17080		UPPER GUIDE REG	1
⊙	38	302FB17280	2FB17280	LEVER RELEASE REGIST	1
⊙	39	3H327410		SENSOR,CONVEYING	1
	40	2FB27450		WIRE REG SWITCH	1
	41	2FB17210		COVER UPPER REG GUIDE	1
	42	M2107240		BAND,KI-100(KITAGAWA)	1
	43	2FB17250		TENSION PLATE FEED	1
⊙	44	2FB17110		GEAR 26/34 FEED	1
⊙	45	2FB17260		BELT FEED HANDLE	1
⊙	46	2FB17020		UPPER ROLLER REGIST	2
	47	302FB05150	2FB05150	LABEL JAM A7	1
	48	302FB05190	2FB05190	LABEL JAM A8	1
	49	302FB17340	2FB17340	GROUND MOTOR FEED	1
⊙	50	302FB17350	2FB17350	GEAR Z47H FEED	1

SP	Ref. No.	Part.No.	Alternative.	Description	120
⊙	51	302FB17360	2FB17360	GEAR Z18H-Z18S FEED	1
	52	2FB21610		PIN FEED SHIFT	1
	53	302FB17820	2FB17820	FILM UPPER REGIST A	1
	54	302FB17830	2FB17830	FILM UPPER REGIST B	1
	101	5MBTPB3006TW++R	B1A53060	BIND T.T SCREW(+)/ M3 X 6 CRFREE S-T	
	102	5MBTPB3014TW++R	B1A53140	BIND T.T SCREW(+)/ M3 X 14 CRFREE S-T	
	103	B1A54080		+BIND TAP-TITE S SCREW M4X08	
	104	C2603080		PLAIN WASHER M3-8 (BRASS,N:)	

- Parts with "*" are component parts or sub-assemblies of the assembly appearing immediately above them.
- Parts with "⊙" indicates the spare parts.

- Parts with "••" are component parts or sub-assembly with "•" appearing immediately above them.

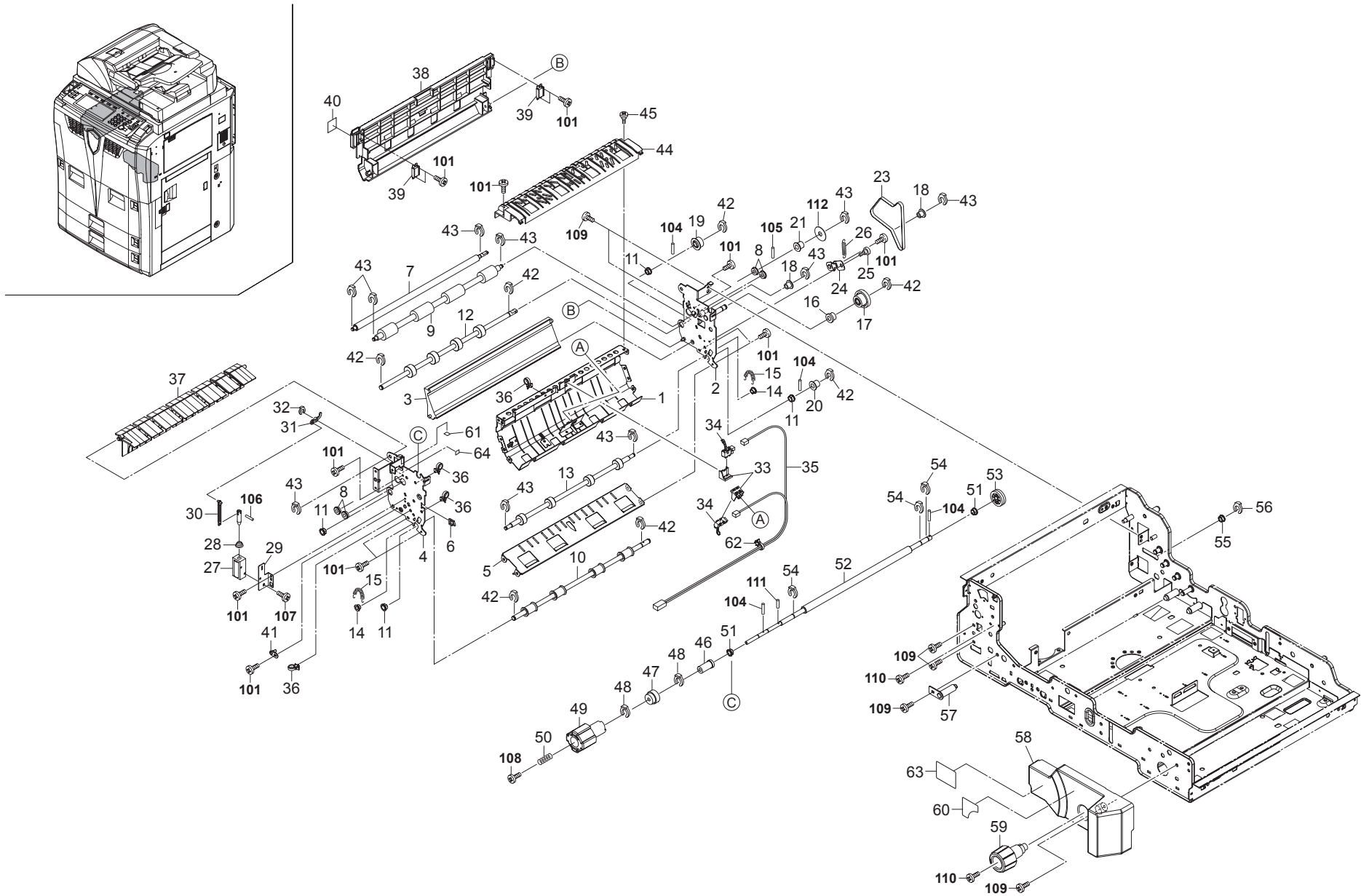


FIG. 14 Paper Conveying III

2FB/2FC-3

SP	Ref. No.	Part.No.	Alternative.	Description	120
	1	302FB21170	2FB21170	LOWER RIGHT GUIDE FEED SHIFT	1
	2	302FB21221	2FB21221	REAR FRAME FEED SHIFT	1
	3	2BC21320		LEFT GUIDE,FEED SHIFT MIDDLE	1
	4	302FB21211	2FB21211	FRONT FRAME FEED SHIFT	1
	5	302FB21180	2FB21180	LOWER LEFT GUIDE	1
	6	M2104390		EDGING,EDS-0607L(KITAGAWA)	1
	7	302FB21240	2FB21240	LEFT ROLLER FEED SHIFT	1
⊙	8	74808080		BEARING,686ZZNR	4
	9	302FB21380	2FB21380	RIGHT ROLLER FEED SHIFT	1
	10	302FB21351	2FB21351	LOWER RIGHT ROLLER FEED SHIFT	1
⊙	11	302FB11160	2FB11160	BEARING MF128ZZ	4
	12	302FB21361	2FB21361	RIGHT ROLLER TURN OVER FEED	1
	13	302FB21370	2FB21370	UPPER LEFT ROLLER FEED EJECT	1
	14	72107160		BUSHING 6,LOWER REGISTRATION ROLLER	2
	15	29717220		PRESSING SPRING B,SB	2
⊙	16	2AC21650		PULLEY 22,FEED SHIFT	1
	17	302FB21310	2FB21310	GEAR FEED SHIFT	1
⊙	18	3A722090		PULLEY,DRIVE	2
⊙	19	2FB21130		PULLEY 30	1
⊙	20	2BC21420		PULLEY 20,SWITCH BACK	1
⊙	21	35911520		PULLEY 16,ADF	1
⊙	23	302FB21080	2FB21080	BELT FEED SHIFT	1
	24	302FB21400	2FB21400	TENSION PLATE FEED SHIFT	1
	25	2FB21610		PIN FEED SHIFT	1
	26	72418140		SPRING, BLADE	1
⊙	27	302FB25020	2FB25020	SOLENOID STOPPER	1
	28	73226040		SPRING,REVERSE SOLENOID	1
	29	2BC21450		MOUNT,FEED SHIFT SOLENOID	1
	30	3068720121	68720121	LEVER B,FEED SHIFT SOLENOID	1
	31	2FB21630		LEVER A FEED SOLENOID	1
⊙	32	5MVX111DN007	2BT11070	STOPPER 3 /2BT1107 A4	1
	33	302FB21270	2FB21270	HOLDER SW FEED SHIFT	2
⊙	34	2FB27050		SWITCH FEED	2
	35	2FB27610		WIRE FEED SHIFT UNIT	1
	36	M2107250		BAND,RSG-100(KITAGAWA)	4
	37	2FB21070		GUIDE FEED SHIFT	1
	38	2BC21340		RIGHT GUIDE,TURN OVER	1
	39	302FB19961	2FB19961	MAGNET LOWER GUIDE	2
	40	302FB05120	2FB05120	LABEL JAM A4	1
	41	302FB21250	2FB21250	SUPPORT PLATE COVER	1
⊙	42	2BC06910		STOPPER 6	7
⊙	43	5MVX111DN003	2A806250	RING STOPPER /A-49 FEED A4	10
	44	302FB21290	2FB21290	LOWER GUIDE FEED SHIFT	1
	45	2FB21600		PIN FUSER EJECT	1
	46	302FB21300	2FB21300	GEAR WORM THRUST	1
⊙	47	33920320		JOINT, FIXING DRIVE	1
⊙	48	5MVX111DN003	2A806250	RING STOPPER /A-49 FEED A4	2
⊙	49	33920310		DIAL, FIXING DRIVE	1
	50	302FB21330	2FB21330	SPRING FUSER HANDLE	1
⊙	51	302FB11160	2FB11160	BEARING MF128ZZ	2

SP	Ref. No.	Part.No.	Alternative.	Description	120
	52	302FB21261	2FB21261	LOWER ROLLER FUSER EJECT	1
	53	302FB21320	2FB21320	GEAR 32	1
⊙	54	2BC06910		STOPPER 6	3
⊙	55	2BC06510		BUSHING 8	1
	56	33973300		STOPPER 7,CARTRIDGE	1
	57	2BC21430		FULCRUM PIN,FEED SHIFT	1
⊙	58	2FB04510		RIGHT COVER CONVEYING	1
⊙	59	2FB17140		HANDLE FEED	1
	60	302FB05350	2FB05350	LABEL JAM A3 A	1
	61	302FB21190	2FB21190	SPONGE FEED SHIFT	1
	62	M2107240		BAND,KI-100(KITAGAWA)	1
	63	302FB05340	2FB05340	LABEL JAM A3 B	1
	64	302FB21440	2FB21440	SPONGE B	1
	101	5MBTPB3006TW++R	B1A53060	BIND T.T SCREW(+)/ M3 X 6 CRFREE S-T	
	102	D1A00500		STOP RING E-5(TRIVALENT CHROMATING)	
	103	D1A00700		STOP RING E-7(TRIVALENT CHROMATING)	
	104	5MBP2012WXSP	E0020120	SPRING PIN / M2 X 12 S-BLK	
	105	E0020080	48100208	SPRING PIN 2X8	
	106	E0120240		SPRING PIN 2X24(SUS)	
	107	B4A03040		+TP-A SCREW M3X04(TRIVALENT CHROMATING)	
	108	5MBSPP43006NW++R	B4A03060	TP HEAD SCREW(+)/ M3 X 6 DRFREE	
	109	B1A54080		+BIND TAP-TITE S SCREW M4X08	
	110	B4A04060		+TP-A SCREW M4X06(TRIVALENT CHROMATING)	
	111	5MBP2010WXSP	E0020100	SPRING PIN / M2 X 10 S-BLK	
	112	C2806120		POLYESTER SLIDER WASHER 6.2X12X0.5T	

- Parts with "*" are component parts or sub-assemblies of the assembly appearing immediately above them.
- Parts with "⊙" indicates the spare parts.

- Parts with "••" are component parts or sub-assembly with "•" appearing immediately above them.

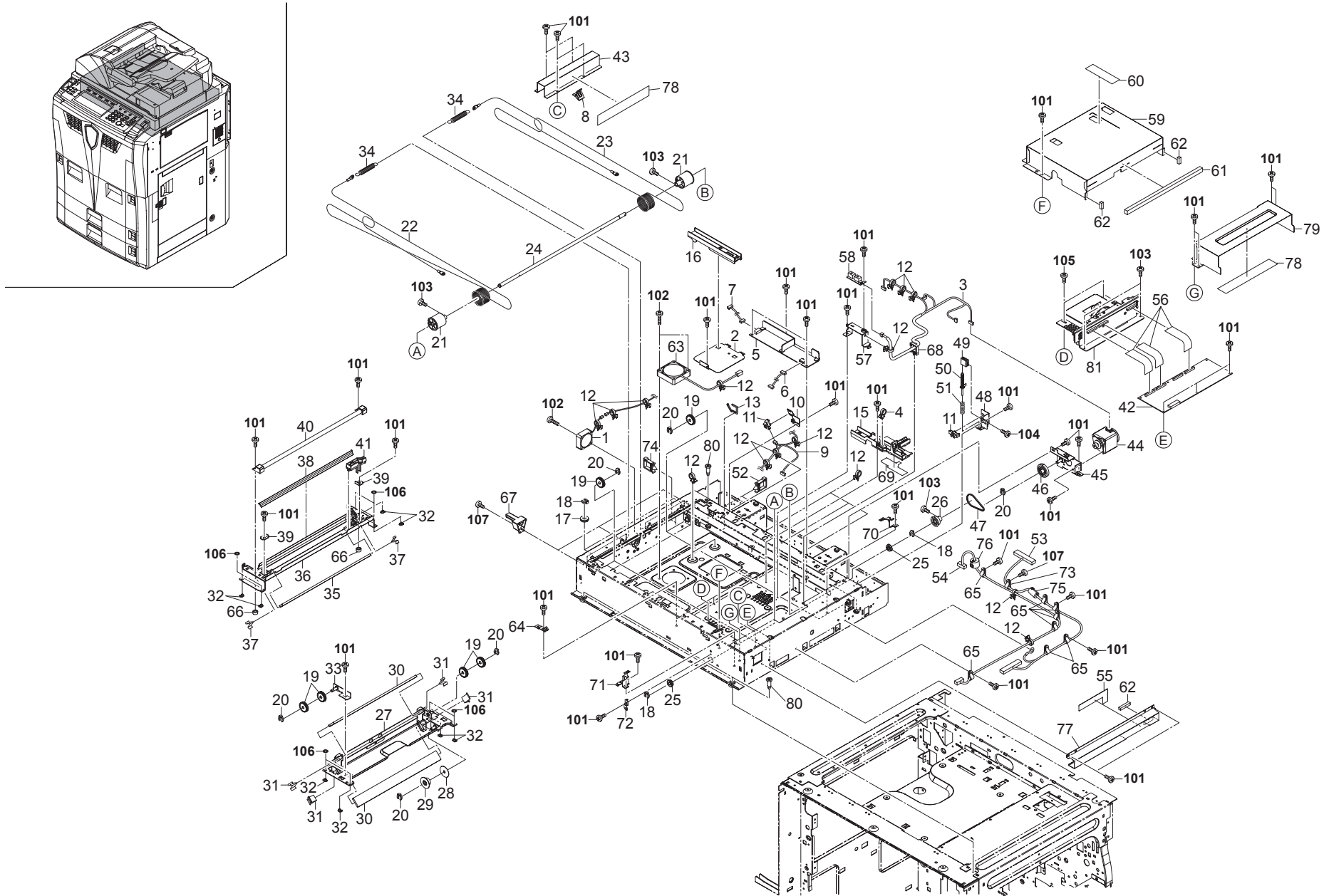


FIG. 15 Optical Section I

2FB/2FC-3

SP	Ref. No.	Part.No.	Alternative.	Description	120
⊙	1	3H627280		FAN DP	1
	2	2FB12270		COVER BASE	1
	3	2FB27590		WIRE ORIGINAL SIZE SENSOR	1
	4	M21AH010		BAND,RSG-130-V0(KITAGAWA)	1
⊙	5	302FB28231	2FB28231	INVERTER PCB YG	1
	6	2FB27830		WIRE SCANNER LAMP	1
	7	2FB27650		WIRE LAMP INVERTER	1
	8	302FB12890	2FB12890	GROUND PLATE SCANNER D	1
	9	302FB27572	2FB27572	WIRE SCANNER HP SW	1
	10	2FB12320		MOUNT SCANNER PI	1
⊙	11	2C927210		SENSOR 248NL1	2
	12	M2107250		BAND,RSG-100(KITAGAWA)	18
	13	7YZM610001++H01	YZ010230	ACCESS SADDLE	1
⊙	14	302FB93170	2FB93170	PARTS,ISU ASS'Y	1
	15	302FB12360	2FB12360	JUNCTION BASE LAMP WIRE	1
	16	2FB12350		FEED GUIDE LAMP WIRE	1
⊙	17	2FB12410		PULLEY MOVING IDLE	2
⊙	18	2BC06910		STOPPER 6	4
⊙	19	2BC12120		PULLEY,SCANNER	8
⊙	20	5MVX111DN003	2A806250	RING STOPPER /A-49 FEED A4	8
⊙	21	2C912340		DRUM PULLEY	2
⊙	22	2FB12240		FRONT WIRE SCANNER	1
⊙	23	2FB12250		REAR WIRE SCANNER	1
⊙	24	2FB12230		SHAFT SCANNER DRIVE	1
⊙	25	28107400		BEARING,688ZZNR	2
⊙	26	2C912320		GEAR Z36	1
	27	2FB12160		MIRROR FRAME B	1
⊙	28	302FB12310	2FB12310	FLANGE 30 WIRE	1
⊙	29	2FB12190		PULLEY LAMP WIRE	1
⊙	30	2FB12180		MIRROR B	2
	31	75712080		MIRROR HOLDER	4
	32	2AV12450		SLIDER,SCANNER	8
	33	2FB12170		ADJUSTING PLATE B	1
	34	72112520		TENSION SPRING,SCANNER WIRE	2
⊙	35	2FB12140		MIRROR A	1
	36	2FB12110		MIRROR FRAME A	1
	37	2BC12190		SPRING,MIRROR HOLDER	2
	38	2FB12130		REFLECTOR SCANNER	1
	39	2C912150		RETAINER WIRE	2
⊙	40	302FB12440	2FB12440	LAMP SCANNER YG	1
	41	2FB12150		GUIDE LAMP WIRE	1
⊙	42	302FB01081	2FB01081	SHD PWB ASS'Y	1
⊙	43	302FB12940	2FB12940	SHIELD SCANNER SHAFT	1
⊙	44	2FB12210		MOTOR SCANNER	1
	45	302FB12221	2FB12221	MOUNT SCANNER MOTOR	1
⊙	46	2C912310		GEAR Z18/39	1
⊙	47	2C912260		BELT SCANNER	1
	48	302FB12340	2FB12340	MOUNT RELEASE SWITCH	1
	49	2C912620		GUIDE RELEASE SWITCH	1
	50	2C912640		SHAFT RELEASE SWITCH	1

SP	Ref. No.	Part.No.	Alternative.	Description	120
	51	2C912650		SPRING RELEASE SWITCH	1
	52	7YZM610005++H01	YZ012220	ACCESS SADDLE	2
	53	2FB27550		WIRE CCD DATA	1
	54	2FB27560		WIRE CCD-SCANNER PWB	1
	55	302FB12960	2FB12960	FILM SHIELD WIRE	1
	56	302FB27960	2FB27960	WIRE CCD	3
	57	2FB12260		MOUNT ORIGINAL DETECTION	1
⊙	58	2C927090		SENSOR ORIGINAL	1
	59	2FB12660		COVER ISU	1
⊙	60	2C905160		LABEL GLASS CAUTION	1
	61	7ZGSSTG55263H01	ZG020440	SHIELD GASKET	1
	62	7ZGSSTG55020H01	ZG020460	SHIELD GASKET	3
⊙	63	302FB25130	2FB25130	FAN COOLING(60-15TH)	1
	64	302FB12840	2FB12840	GROUND PLATE SCANNER A	3
	65	M7005030		CLAMP,EMT-5N(TAKEUCHI)	8
⊙	66	302BG04560	2BG04560	COVER SCREW	2
	67	302FB12760	2FB12760	GUIDE PIN	3
	68	7YZM390002++H01	YZ012140	ACCESS.CLAMP	1
	69	302FB12810	2FB12810	SHIELD LAMP WIRE	1
	70	302FB12850	2FB12850	GROUND PLATE SCANNER B	1
	71	302FB12860	2FB12860	GROUND PLATE SCANNER C	1
	72	302FB12870	2FB12870	GROUND PLATE SHAFT SCANNER	1
	73	7YZM320001++H01	YZ021440	ACCESS.CLAMP	1
	74	7YZM610003++H01	YZ010250	ACCESS SADDLE	1
	75	65027480		CORE,9-20X32	1
	76	2AV27440		CORE 15-26X13	1
	77	302FB12820	2FB12820	SHIELD WIRE SCANNER	1
	78	302FB12740	2FB12740	SHIELD WIRE CCD	2
	79	2FB12590		COVER SHD PCB	1
	80	302FB12970	2FB12970	PIN SCANNER RETAIN B	4
	101	5MBTPB3006TW++R	B1A53060	BIND T.T SCREW(+)/ M3 X 6 CRFREE S-T	
	102	5MBTPB3020TW++R	B1A53200	BIND T.T SCREW(+)/ M3 X 20 CRFREE S-T	
	103	B0A23080		+ROUND HEAD SCREW WITH SW.W M3X8(TRIVALE	
	104	5MBTPB3008PW++R	B1A63080	BIND T.T SCREW(+)/ M3 X 8 CRFREE P-T	
	105	5MBS43006NW++R	B4A03060	TP HEAD SCREW(+)/ M3 X 6 DRFREE	
	106	5MBCS5025XSP	D4000500	CS STOP RING /X 5 X .25T S-BLK	
	107	B1A54080		+BIND TAP-TITE S SCREW M4X08	

- Parts with "*" are component parts or sub-assemblies of the assembly appearing immediately above them.
- Parts with "⊙" indicates the spare parts.

- Parts with "••" are component parts or sub-assembly with "•" appearing immediately above them.

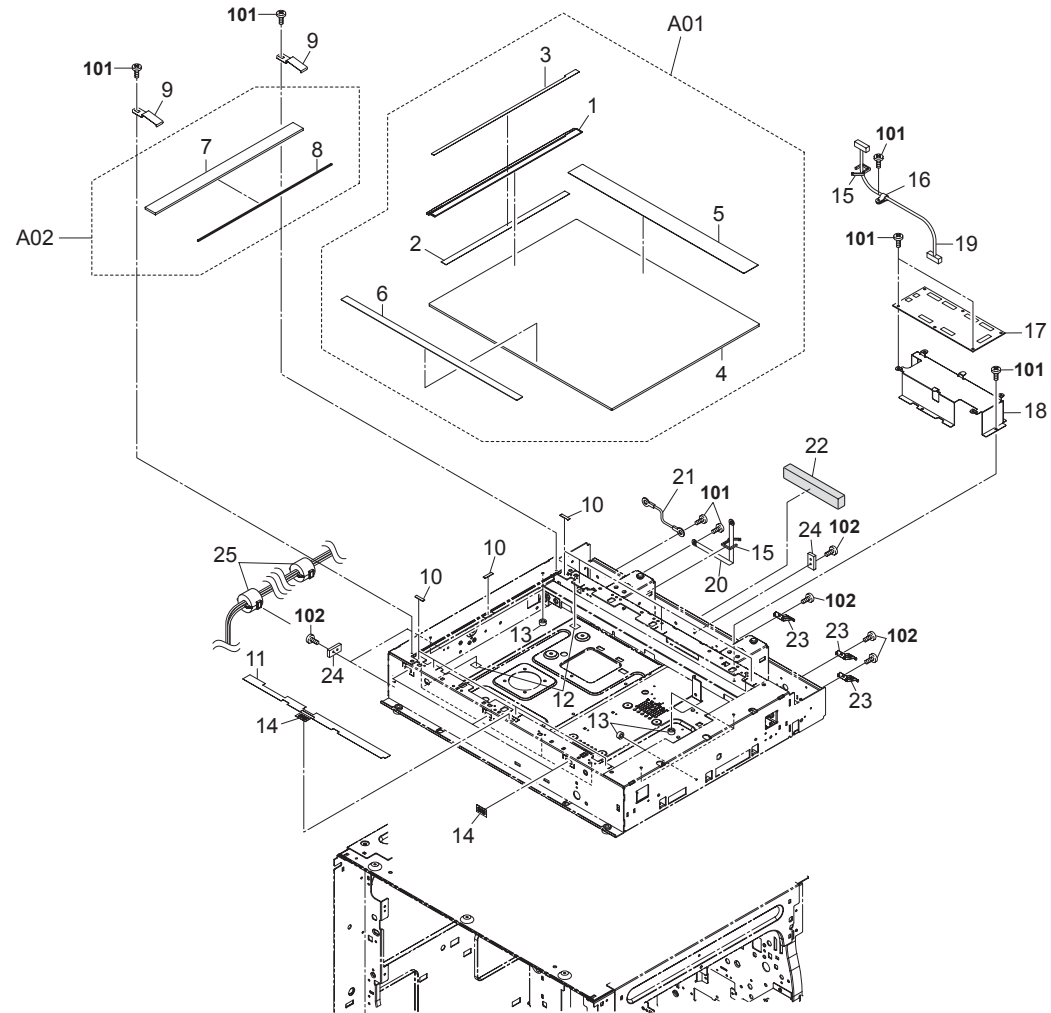
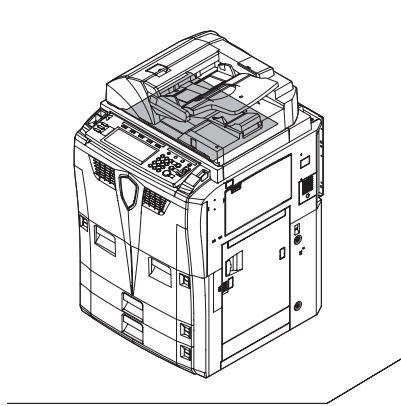


FIG. 16 Optical Section II

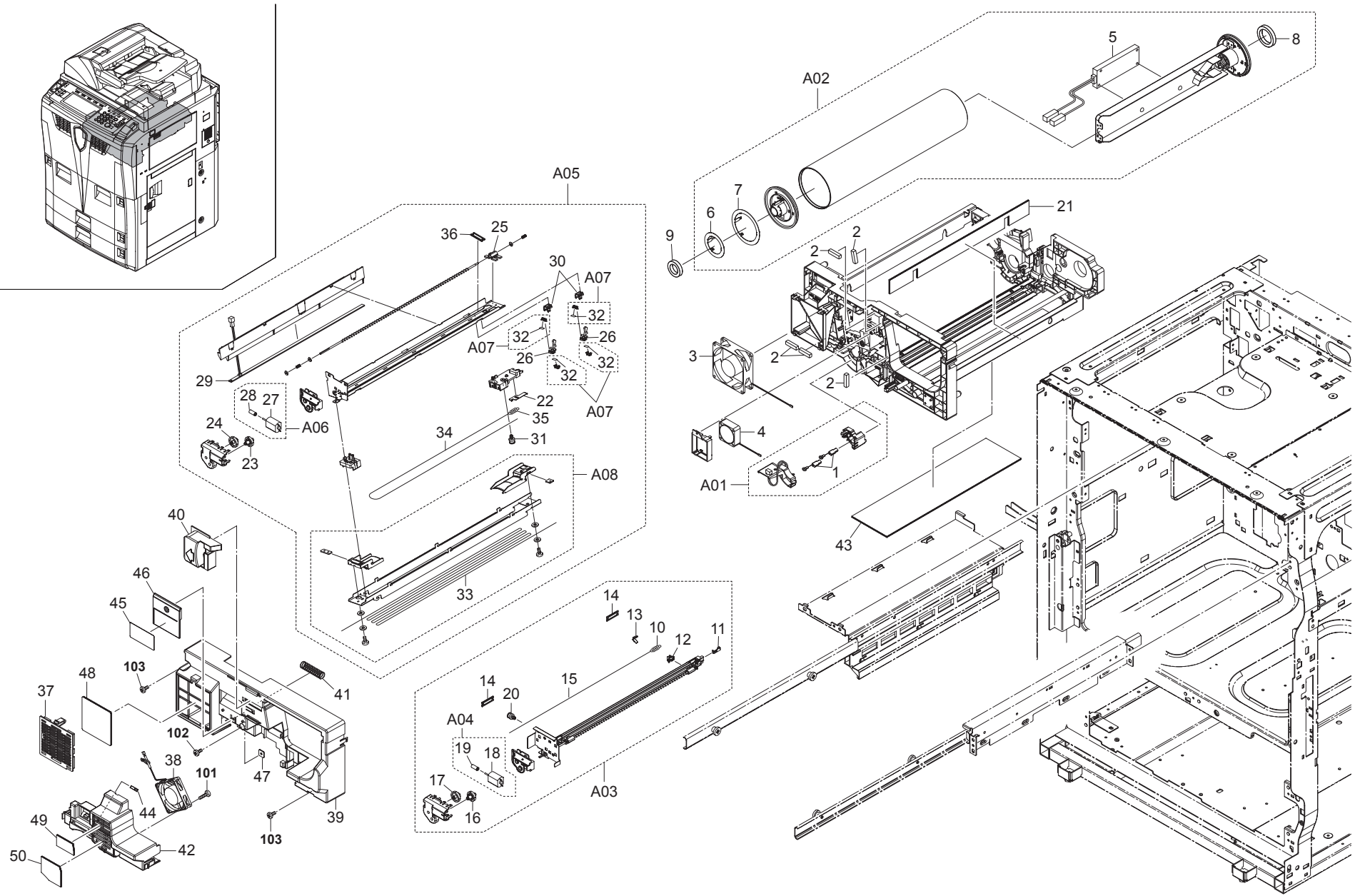
2FB/2FC-2.0

SP	Ref. No.	Part.No.	Alternative.	Description	120
⊙	A01	302FB93200	2FB93200	PARTS,CONTACT GLASS ASS'Y(I)	1
	1	*302A612201	2A612201	LEFT ORIGINAL SIZE INDICATOR	1
	2	*302FB12390	2FB12390	STANDARD PLATE SHADING	1
	3	*302FB12720	2FB12720	LABEL SIZE (INCH)	1
	4	*35912010		CONTACT GLASS	1
	5	*302FB12700	2FB12700	REAR SIZE INDICATOR (I)	1
	6	*302FB12680	2FB12680	FRONT SIZE INDICATOR	1
⊙	A02	302FB93210	2FB93210	PARTS,CONTACT GLASS ADF ASS'Y(I)	1
	7	*2BC12170		CONTACT GLASS,ADF	1
	8	*302FB12460	2FB12460	SPONGE DUST SHIELD	1
	9	2AC12280		HOLDER,ADF CONTACT GLASS	2
	10	29812291		CUSHION,CONTACT GLASS	9
⊙	11	302BC12161	2BC12161	UPPER FILM,SCANNER	1
	12	302FB12780	2FB12780	UPPER FILM SCANNER A	6
⊙	13	302BG04560	2BG04560	COVER SCREW	5
	14	302FB12790	2FB12790	UPPER FILM SCANNER B	4
	15	7YZM610001++H01	YZ010230	ACCESS SADDLE	2
	16	M7005030		CLAMP,EMT-5N(TAKEUCHI)	1
⊙	17	302FB68140	2FB68140	SCANNER PWB ASS'Y (SP)	1
	18	2FB12280		COVER INVERTER	1
	19	302FB28770	2FB28770	WIRE SCANNER CONTROL	1
	20	7ZEGSTRFM150H02	ZE022090	GROUNDING SHIELD JOINT	1
	21	302FB28790	2FB28790	WIRE SCANNER FRAME GND 2	1
	22	7ZGSSTG42160H01	ZG021630	SHIELD GASKET	1
	23	302FB26400	2FB26400	EARTH S-BOX B	3
	24	7YZM310001++H01	YZ012680	ACCESS.CLAMP	3
	25	2AV27440		CORE 15-26X13	2

SP	Ref. No.	Part.No.	Alternative.	Description	120
	101	5MBTPB3006TW++R	B1A53060	BIND T.T SCREW(+)/ M3 X 6 CRFREE S-T	
	102	5MBTPB3010TW++R	B1A53100	BIND T.T SCREW(+)/ M3 X 10 CRFREE S-T	

- Parts with "*" are component parts or sub-assemblies of the assembly appearing immediately above them.
- Parts with "⊙" indicates the spare parts.

- Parts with "••" are component parts or sub-assembly with "•" appearing immediately above them.



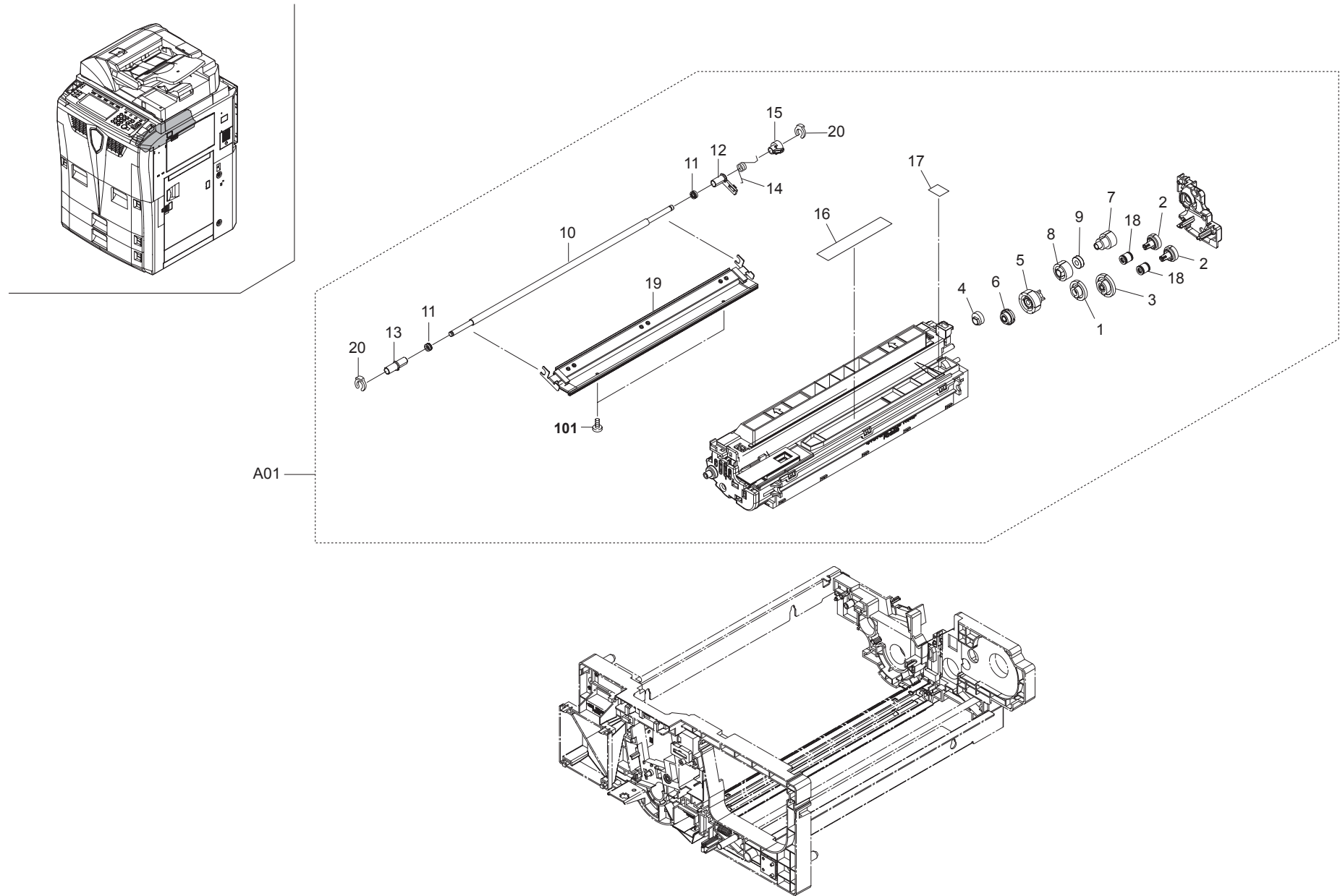


FIG. 18 Developer Unit

2FB/2FC-3

SP	Ref. No.	Part.No.	Alternative.	Description	120
⊙	A01	302FB93052	2FB93052	PARTS,DV-650	1
⊙	1	*2C914160		GEAR Z30S-Z15S	1
⊙	2	*2FB14080		GEAR MIXER Z22S	2
⊙	3	*2FB14100		GEAR MIXER IDLE Z35S/Z20S	1
⊙	4	*302FB14400	2FB14400	CAM DLP LOWER ROLLER	1
⊙	5	*302FB14750	2FB14750	GEAR DLP INPUT 32H	1
⊙	6	*302FB14760	2FB14760	GEAR DLP INPUT 15S	1
⊙	7	*302FB14580	2FB14580	GEAR DLP IDLE Z22H/Z15H	1
⊙	8	*302FB14590	2FB14590	GEAR MAGNET ROLLER Z25H	1
⊙	9	*35914820		BEARING,DEVELOPING	1
⊙	10	*302FB14330	2FB14330	LOWER SHAFT DLP	1
⊙	11	*302FB14430	2FB14430	SEAL DLP LOWER ROLLER	2
⊙	12	*302FB14370	2FB14370	FRONT BUSH DLP ROLLER	1
⊙	13	*302FB14380	2FB14380	REAR BUSH DLP ROLLER	1
⊙	14	*302FB14390	2FB14390	SPRING COLLECT ROLLER	1
⊙	15	*302FB14340	2FB14340	LEVER DLP LOWER ROLLER	1
	16	*2FB14250		UPPER FILM A DLP	1
	17	*2FB14260		UPPER FILM B DLP	1
⊙	18	*302FB14710	2FB14710	FELT MIXER	2
⊙	19	*302FB94080	2FB94080	PARTS,DLP LOWER ROLLER ASS'Y SP	1
⊙	20	*5MVX111DN003	2A806250	RING STOPPER /A-49 FEED A4	2

SP	Ref. No.	Part.No.	Alternative.	Description	120
	101	5MBTPB3008PW++R	B1A63080	BIND T.T SCREW(+)/ M3 X 8 CRFREE P-T	

- Parts with "*" are component parts or sub-assemblies of the assembly appearing immediately above them.
- Parts with "⊙" indicates the spare parts.

- Parts with "••" are component parts or sub-assembly with "•" appearing immediately above them.

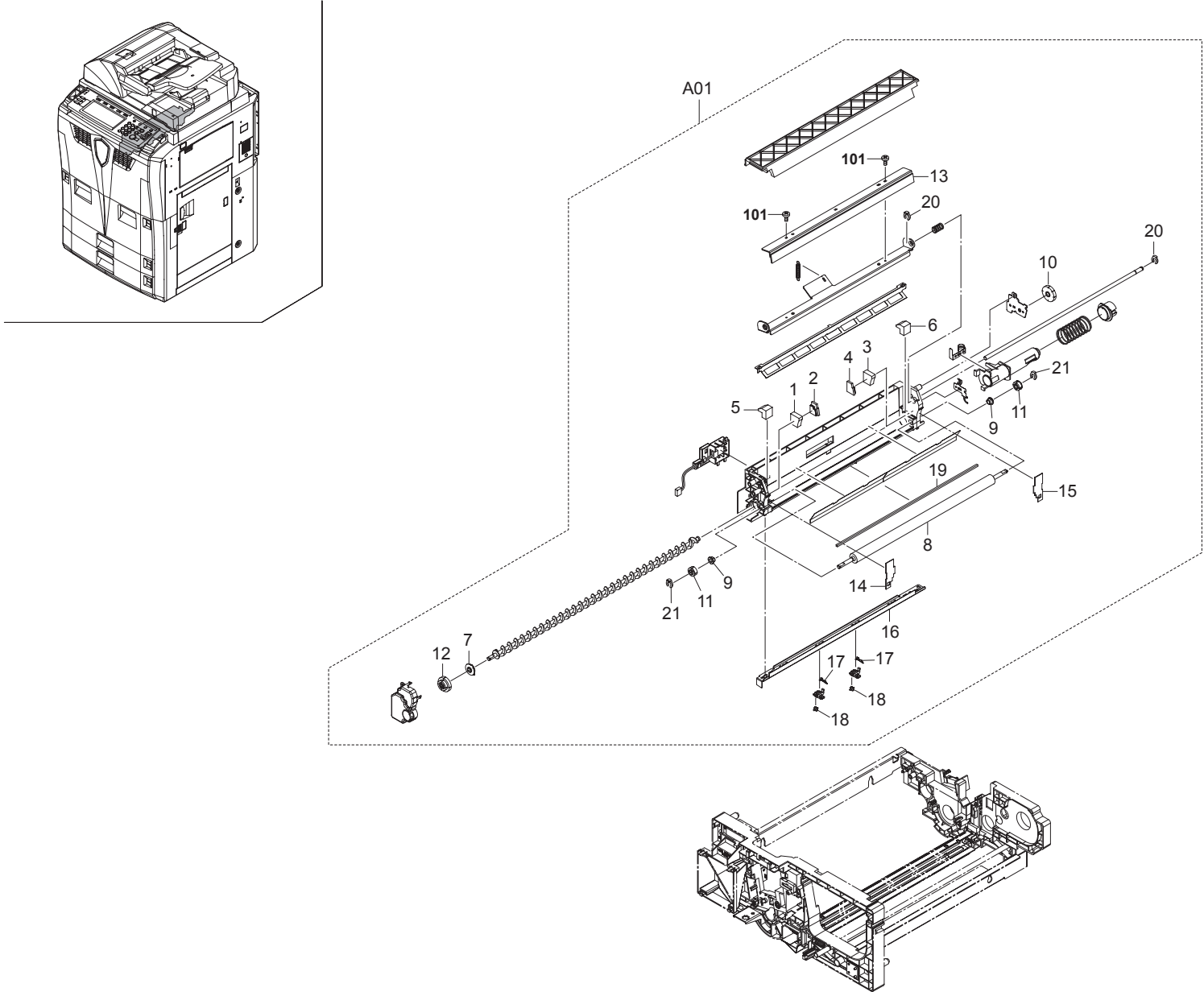


FIG. 19 Cleaning Unit I

2FB/2FC-3

SP	Ref. No.	Part.No.	Alternative.	Description	120
⊙	A01	302FB93070	2FB93070	PARTS,CLEANING ASS'Y	1
⊙	1	*2FB18150		FRONT SPONGE CLN	1
⊙	2	*2FB18460		FRONT SPONGE BLADE BACK	1
⊙	3	*2FB18160		REAR SPONGE CLN	1
⊙	4	*2FB18450		REAR SPONGE BLADE BACK	1
⊙	5	*2FB18170		FRONT SPONGE CLN SIDE	1
⊙	6	*2FB18180		REAR SPONGE CLN SIDE	1
⊙	7	*2FB18560		BUSHING B DISPOSAL	1
⊙	8	*2FB18030		BRUSH CLEANING	1
⊙	9	*2BG22970		BUSH 6 EW	2
⊙	10	*2FB18220		GEAR 31 CLN DRIVE	1
⊙	11	*2FB18230		GEAR 16 FUR BRUSH	2
⊙	12	*2FB18240		GEAR 29/20 SPIRAL	1
⊙	13	*302FB68240	2FB68240	BLADE CLEANING SP	1
⊙	14	*2FB18130		FRONT SEAL CLEANING	1
⊙	15	*2FB18140		REAR SEAL CLEANING	1
⊙	16	*2FB18050		LOWER SEAL CLEANING	1
⊙	17	*2AR18240		CLAW,SEPARATION	2
⊙	18	*2A118370		PULLEY,DRUM SEPARATION	2
⊙	19	*2FB18210		SPONGE LOWER SEAL	1
⊙	20	*302FB20900	2FB20900	STOPPER 5 FUSER	2
⊙	21	*5MVX111DN003	2A806250	RING STOPPER /A-49 FEED A4	2

SP	Ref. No.	Part.No.	Alternative.	Description	120
	101	5MBSP43006NW++R	B4A03060	TP HEAD SCREW(+)/ M3 X 6 DRFREE	

- Parts with "*" are component parts or sub-assemblies of the assembly appearing immediately above them.
- Parts with "⊙" indicates the spare parts.

- Parts with "••" are component parts or sub-assembly with "•" appearing immediately above them.

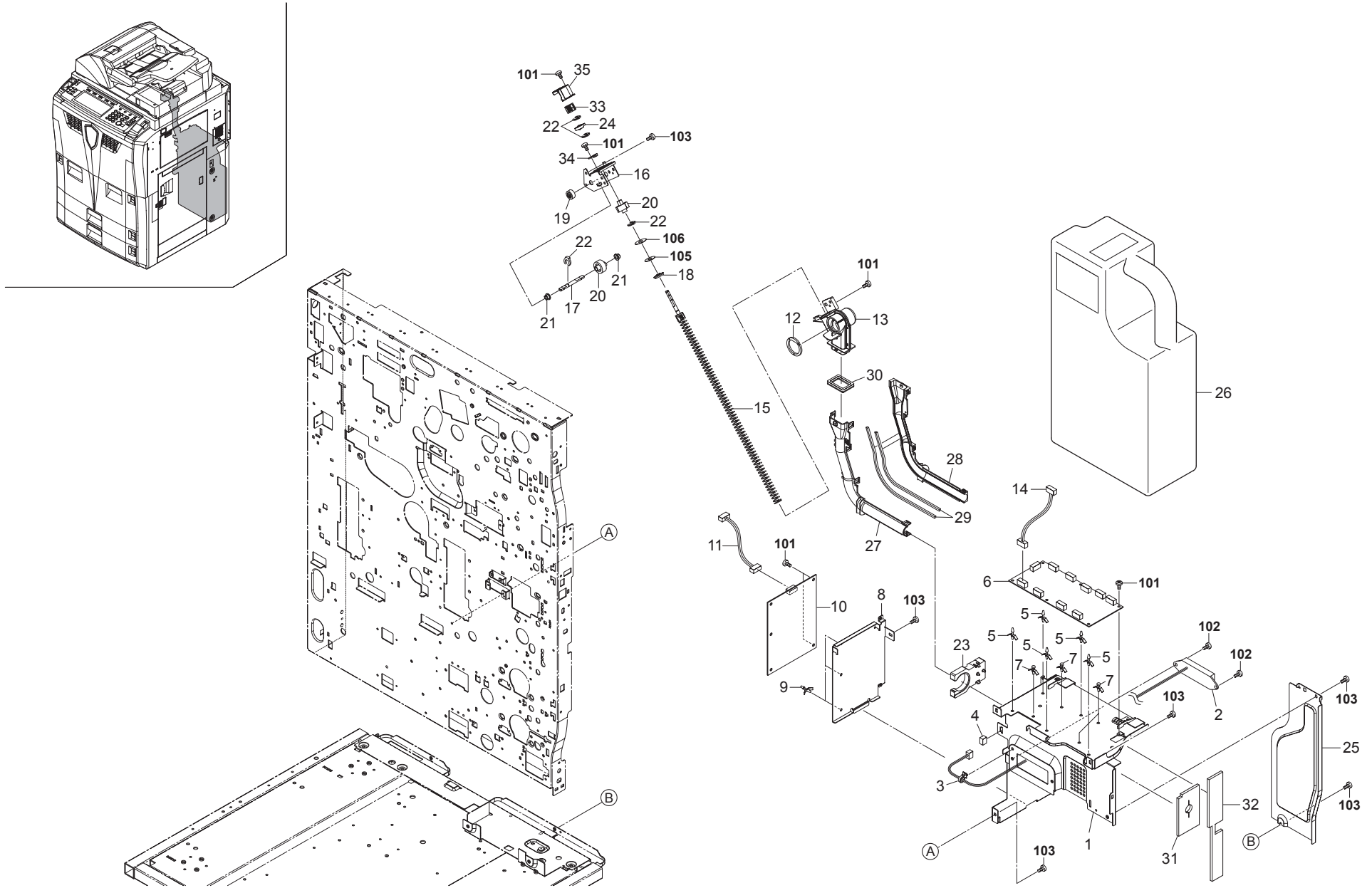


FIG. 20 Cleaning Unit II

2FB/2FC-3

SP	Ref. No.	Part.No.	Alternative.	Description	120
	1	302FB26181	2FB26181	MOUNT DK PWB	1
	2	302FB01240	2FB01240	TONER SENSOR ASS'Y	1
	3	M2107250		BAND,RSG-100(KITAGAWA)	1
	4	7YCC03B1002+H01	YC014620	CONNECTOR	1
	5	M2108000	49628603	SPACER,KGLS-3S	5
⊙	6	302FB01041	2FB01041	DECK PWB ASS'Y	1
	7	M2108080	49628604	SPACER,KGPS-3S	4
	8	302FB26190	2FB26190	MOUNT CS PWB	1
	9	M2108000	49628603	SPACER,KGLS-3S	3
⊙	10	2FB01030		CASSETTE PWB ASS'Y	1
	11	2FB27870		WIRE TRANSFER MOTOR	1
⊙	12	2FB18420		SPONGE SHUTTER	1
	13	2FB18510		HOUSING TONER DISPOSAL	1
	14	2FB27700		WIRE FUSER MOTOR	1
	15	2FB18530		SPIRAL DISPOSAL	1
	16	2FB18540		MOUNT DISPOSAL DRIVE	1
	17	2FB18550		SHAFT DISPOSAL DRIVE	1
⊙	18	2FB18560		BUSHING B DISPOSAL	1
⊙	19	2FB18570		GEAR 30 DISPOSAL	1
⊙	20	2FB18580		GEAR 15 DISPOSAL	2
⊙	21	3CY07080		BUSHING 6	2
⊙	22	5MVX111DN003	2A806250	RING STOPPER /A-49 FEED A4	4
	23	2FB18630		MOUNT DISPOSAL PIPE	1
	24	302FB18720	2FB18720	COUPLING DISPOSAL	1
	25	302FB26210	2FB26210	COVER V FEED	1
	26	2BC60010		DISPOSAL TANK ASS'Y (option)	1
	27	302FB18590	2FB18590	PIPE DISPOSAL A	1
	28	302FB18600	2FB18600	PIPE DISPOSAL B	1
	29	302FB18680	2FB18680	SPONGE DISPOSAL PIPE A	2
	30	302FB18690	2FB18690	SPONGE DISPOSAL PIPE B	1
	31	302FB18660	2FB18660	SPONGE DISPOSAL TANK A	1
	32	302FB18670	2FB18670	SPONGE DISPOSAL TANK B	1
	33	2BC18820		SPRING,DISPOSAL SPIRAL THRUST	1
	34	2BC18830		BUSHING,DISPOSAL SPIRAL	1
	35	302FB18710	2FB18710	HOLDER DISPOSAL SPIRAL THRUST	1

SP	Ref. No.	Part.No.	Alternative.	Description	120
	101	5MBTPB3006TW++R	B1A53060	BIND T.T SCREW(+)/ M3 X 6 CRFREE S-T	
	102	5MBTPB3010TW++R	B1A53100	BIND T.T SCREW(+)/ M3 X 10 CRFREE S-T	
	103	B1A54080		+BIND TAP-TITE S SCREW M4X08	
	104	B1B54400		+BIND TAP-TITE S SCREW M4X40(TRIVALENT C	
	105	C2806120		POLYESTER SLIDER WASHER 6.2X12X0.5T	
	106	C2892140		POLYESTER SLIDER WASHER 6.2X14X0.25T	

- Parts with "*" are component parts or sub-assemblies of the assembly appearing immediately above them.
- Parts with "⊙" indicates the spare parts.

- Parts with "••" are component parts or sub-assembly with "•" appearing immediately above them.

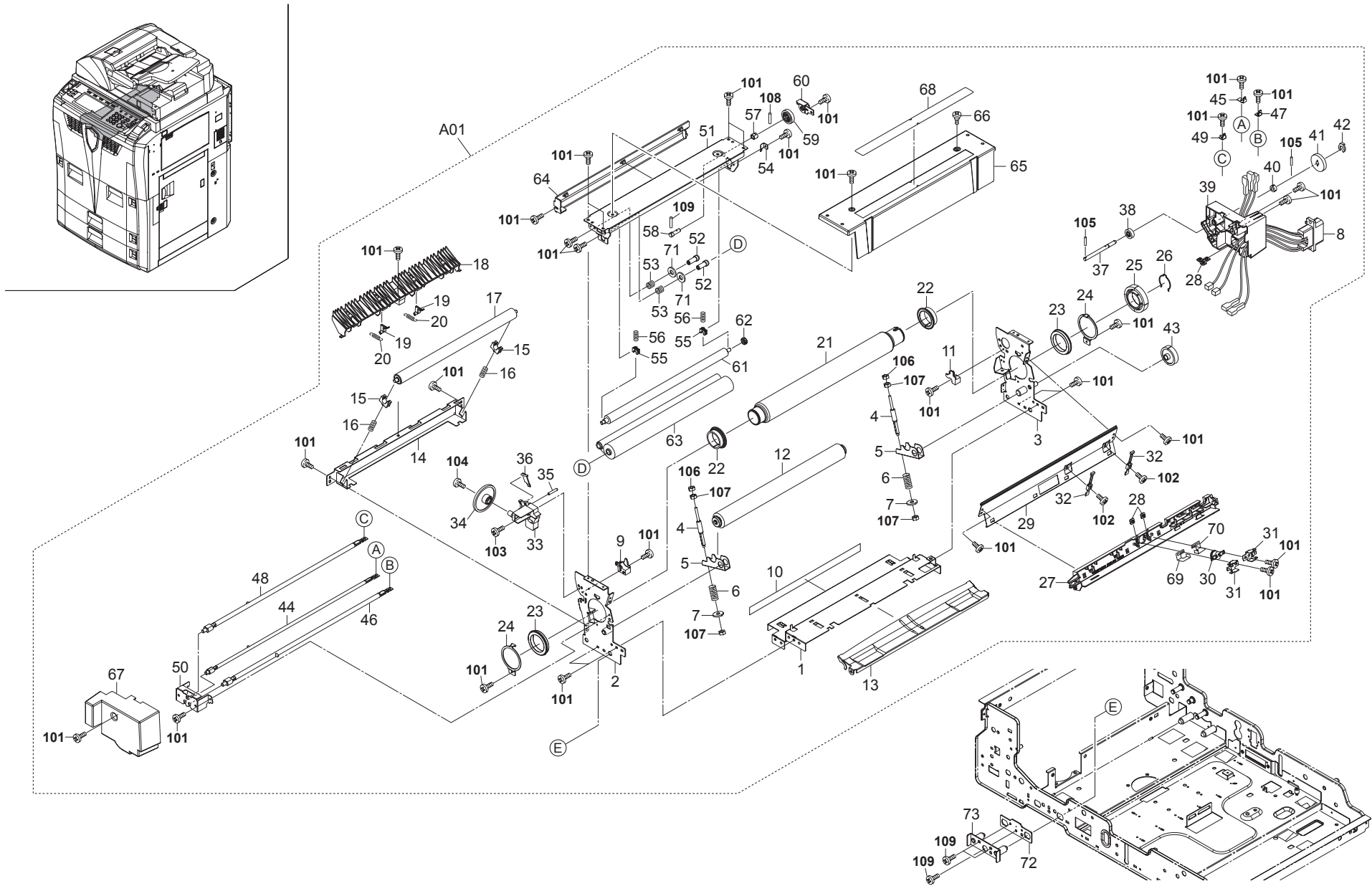


FIG. 21 Fuser Section I

2FB/2FC-3

SP	Ref. No.	Part.No.	Alternative.	Description	120
⊙	A01	302FB93091	2FB93091	PARTS,FK-650(A)	1
	1	*2FB20540		BASE FUSER	1
	2	*2FB20520		FRONT FRAME FUSER	1
	3	*2FB20530		REAR FRAME FUSER	1
	4	*2FB20390		PIN PRESSURE	2
	5	*2FB20310		LEVER PRESSURE	2
	6	*2FB20420		SPRING PRESSURE	2
	7	*2FB20400		MOUNT PRESSURE	2
	8	*2FB27380		WIRE FIXING UNIT	1
	9	*302FB20750	2FB20750	FRONT STOPPER COVER	1
	10	*302FB05080	2FB05080	LABEL UNIT REPLACEMENT	1
	11	*302FB20760	2FB20760	REAR STOPPER COVER	1
⊙	12	*2FB20020		ROLLER PRESSURE	1
	13	*302FB20010	2FB20010	FRONT GUIDE FUSER A	1
	14	*2FB20550		MOUNT GUIDE FUSER EJECT	1
	15	*302FB20170	2FB20170	BUSH CLEANING ROLLER	2
	16	*2FB20240		SPRING FUSER CLEANING	2
⊙	17	*2FB20450		LOWER ROLLER CLEANING	1
	18	*2FB20100		LOWER GUIDE FUSER EJECT	1
	19	*36720493		CLAW,PRESS ROLLER	2
	20	*68320310		SPRING,SEPARATION CLAW	2
⊙	21	*2FB20060		ROLLER HEAT	1
⊙	22	*2FB20040		BUSHING HEAT ROLLER	2
⊙	23	*2FG20230		BEARING HEAT ROLLER	2
	24	*302FB20840	2FB20840	STOPPER ROLLER BEARING	2
⊙	25	*302FB20950	2FB20950	GEAR 50 HEAT ROLLER B	1
	26	*302FB20070	2FB20070	STOPPER HEAT ROLLER	1
	27	*2FB20090		UPPER GUIDE FUSER	1
	28	*5MMS111SL002	2BY20050	NUT FUSER A /FS-1800/3800 A4	5
	29	*2FB20120		STAY FUSER	1
⊙	30	*2FB20560		THERMOSTAT 190 FUSER	1
⊙	31	*2FB20680		TERMINAL THERMOSTAT	2
	32	*302FB20200	2FB20200	THERMISTOR FUSER	2
	33	*302FB20131	2FB20131	FRONT GUIDE FUSER CLAW	1
⊙	34	*2FB20640		GEAR CLAW THRUST	1
	35	*2FB20430		PIN CLAW THRUST	1
	36	*2FB20650		LEVER CLAW THRUST	1
	37	*2FB20290		SHAFT FUSER WEB DRIVE A	1
⊙	38	*2BC20730		GEAR B, FIXING CLEANING DRIVE	1
	39	*2FB20030		MOUNT FUSER DRAWER	1
	40	*2BG20520		CLUTCH CLN	1
⊙	41	*2FB20620		GEAR 30 WEB ROLLER	1
⊙	42	*302FB20900	2FB20900	STOPPER 5 FUSER	1
⊙	43	*302FB20220	2FB20220	GEAR FUSER JOINT B	1
⊙	44	*2FB20470		HEATER S120 FUSER	1
⊙	45	*2FB20590		TERMINAL S HEATER	1
⊙	46	*2FB20460		HEATER M120 FUSER	1
⊙	47	*2FB20580		TERMINAL M HEATER	1
⊙	48	*2FB20480		HEATER L120 FUSER	1
⊙	49	*2FB20600		TERMINAL L HEATER	1

SP	Ref. No.	Part.No.	Alternative.	Description	120
	50	*2FB20630		FRONT MOUNT HEATER	1
	51	*302FB20780	2FB20780	SUPPORT PLATE FUSER CLEANING	1
	52	*302FB20790	2FB20790	PIN FUSER CLEANING RETAINING	2
	53	*302FB20160	2FB20160	SPRING WEB RETAINING	2
	54	*302FB20830	2FB20830	STOPPER FUSER RATCHET	1
	55	*2BY20070	5MVX221XN004	BUSH PRESS /49523A0152 A4	2
	56	*302FB20320	2FB20320	SPRING FUSER WEB	2
	57	*61720460		BUSH, FIXING CLEANING	1
	58	*302FB20810	2FB20810	SHAFT FUSER WEB DRIVE	1
⊙	59	*2BC20660		GEAR, FIXING CLEANING DRIVE	1
	60	*302FB20800	2FB20800	RETAINER CLEANING GEAR	1
⊙	61	*302FB20770	2FB20770	ROLLER PRESSURE WEB	1
⊙	62	*302FB20820	2FB20820	RATCHET FUSER CLEANING	1
⊙	63	*2A020330		FELT,CLEANING	1
	64	*302FB20850	2FB20850	COVER FUSER CLEANING	1
⊙	65	*2FB20350		UPPER COVER FUSER	1
	66	*2FB20860		PIN FUSER COVER	1
⊙	67	*2FB20670		FRONT COVER FUSER	1
	68	*2BG05010		LABEL CAUTION FUSER	1
	69	*302FB20910	2FB20910	LEFT PLATE THERMOSTAT	1
	70	*302FB20920	2FB20920	RIGHT PLATE THERMOSTAT	1
	71	*302FB20940	2FB20940	WASHER 6	2
	72	302FB16231	2FB16231	LOCK PLATE FUSER	1
	73	302FB16201	2FB16201	ADJUSTING PLATE FUSER	1
	101	5MBTPB3006TW++R	B1A53060	BIND T.T SCREW(+)/ M3 X 6 CRFREE S-T	
	102	5MBTPB3010TW++R	B1A53100	BIND T.T SCREW(+)/ M3 X 10 CRFREE S-T	
	103	5MBTPB3014TW++R	B1A53140	BIND T.T SCREW(+)/ M3 X 14 CRFREE S-T	
	104	BAA63080		+TP TAP-TITE P SCREW M3X08	
	105	5MBP2010WXSP	E0020100	SPRING PIN / M2 X 10 S-BLK	
	106	C1B14070		NUT SNM4(TRIVALENT CHROMATING)	
	107	C1B04030		NUT M4(TRIVALENT CHROMATING)	
	108	5MBP2012WXSP	E0020120	SPRING PIN / M2 X 12 S-BLK	
	109	B1A54080		+BIND TAP-TITE S SCREW M4X08	

- Parts with "*" are component parts or sub-assemblies of the assembly appearing immediately above them.
- Parts with "⊙" indicates the spare parts.

- Parts with "••" are component parts or sub-assembly with "••" appearing immediately above them.

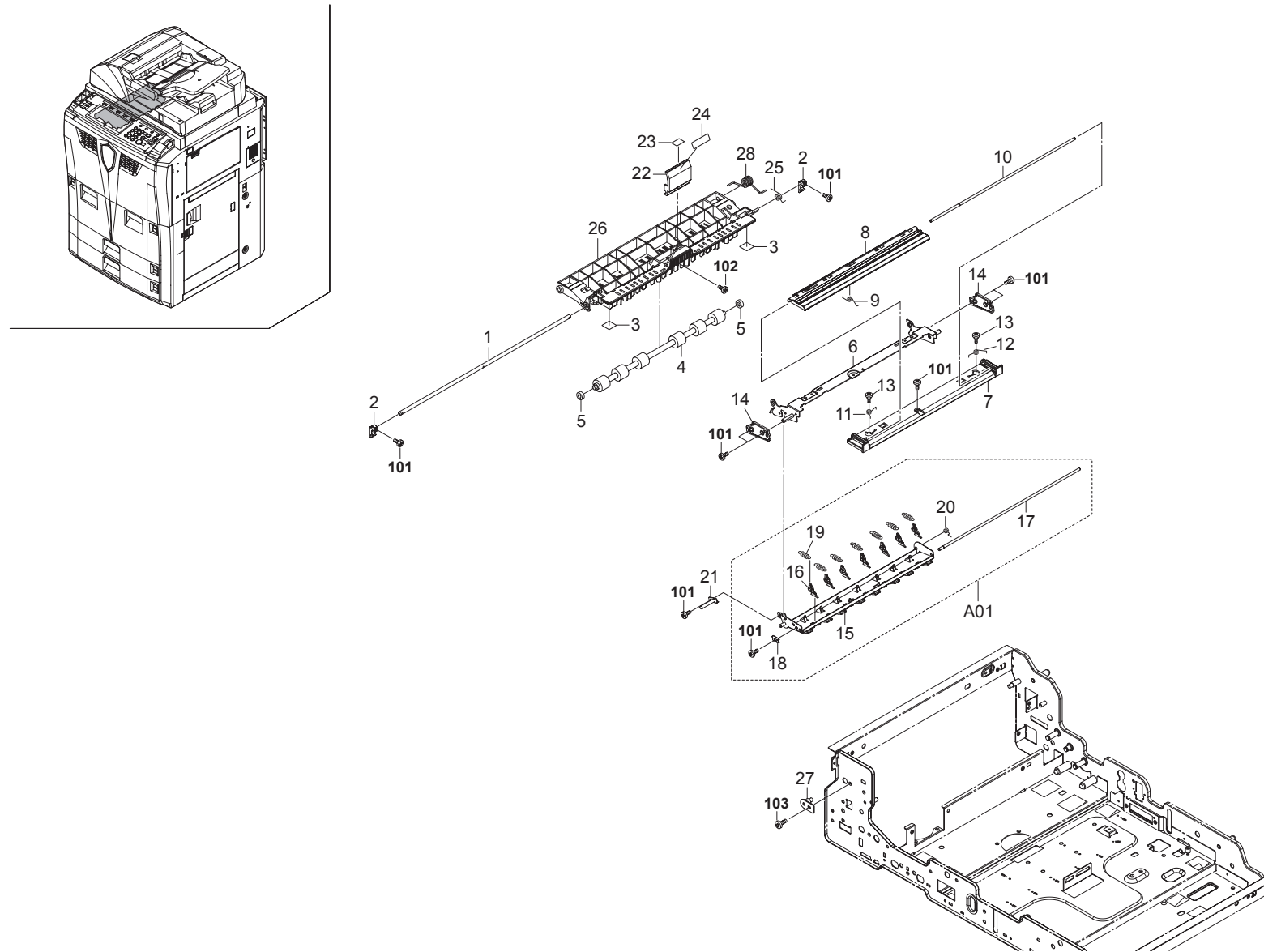


FIG. 22 Fuser Section II

2FB/2FC-3

SP	Ref. No.	Part.No.	Alternative.	Description	120
	1	302FB21340	2FB21340	SHAFT FUSER EJECT RELEASE	1
	2	2FB20690		RIGHT HOOK FEED RELEASE	2
	3	302FB05140	2FB05140	LABEL JAM A6	2
	4	302FB21230	2FB21230	UPPER ROLLER FUSER EJECT	1
⊙	5	G3001360		BEARING 686ZZ	2
	6	2FB20210		UPPER PLATE FUSER EJECT	1
⊙	7	302FB20720	2FB20720	UPPER COVER B FUSER EJECT	1
⊙	8	302FB20710	2FB20710	UPPER COVER A FUSER EJECT	1
	9	302FB20740	2FB20740	SPRING FUSER COVER	1
	10	302FB20730	2FB20730	SHAFT FUSER EJECT COVER	1
	11	302FB20880	2FB20880	LEFT SPRING COVER	1
	12	302FB20870	2FB20870	RIGHT SPRING COVER	1
	13	2FB20860		PIN FUSER COVER	2
	14	2FB20110		UPPER HOLDER FUSER EJECT	2
⊙	A01	302FB93290	2FB93290	PARTS HEAT CLAW ASS'Y	1
	15	*2FB20150		UPPER GUIDE FUSER EJECT	1
	16	*302FB20250	2FB20250	SEPARATOR FUSER ASSY	7
	17	*2BC20190		SHAFT,SEPARATION CLAW	1
	18	*2BC20380		STOPPER,SEPARATION CLAW	1
⊙	19	*302FB20890	2FB20890	SPRING SEPARATION CLAW	7
	20	*2BC20480		SPRING,SEPARATION CLAW THRUST	1
	21	2FB20570		HOLDER FUSER EJECT	1
⊙	22	2BC20400		HANDLE, FIXING EJECT RELEASE	1
⊙	23	2BC05140		LABEL, FIXING EJECT RELEASE	1
	24	302FB05130	2FB05130	LABEL JAM A5	1
	25	302FB20140	2FB20140	SPRING FUSER EJECT RELEASE	1
	26	302FB21280	2FB21280	UPPER GUIDE FEED SHIFT	1
	27	2BC20420		UPPER FULCRUM PIN, FEED SHIFT	1
	28	302FB20190	2FB20190	SPRING FUSER EJECT DAMPER	1

SP	Ref. No.	Part.No.	Alternative.	Description	120
	101	5MBTPB3006TW++R	B1A53060	BIND T.T SCREW(+)/ M3 X 6 CRFREE S-T	
	102	B4A03100		+TP-A SCREW M3X10(TRIVALENT CHROMATING)	
	103	B1A54080		+BIND TAP-TITE S SCREW M4X08	

- Parts with "*" are component parts or sub-assemblies of the assembly appearing immediately above them.
- Parts with "⊙" indicates the spare parts.

- Parts with "••" are component parts or sub-assembly with "•" appearing immediately above them.

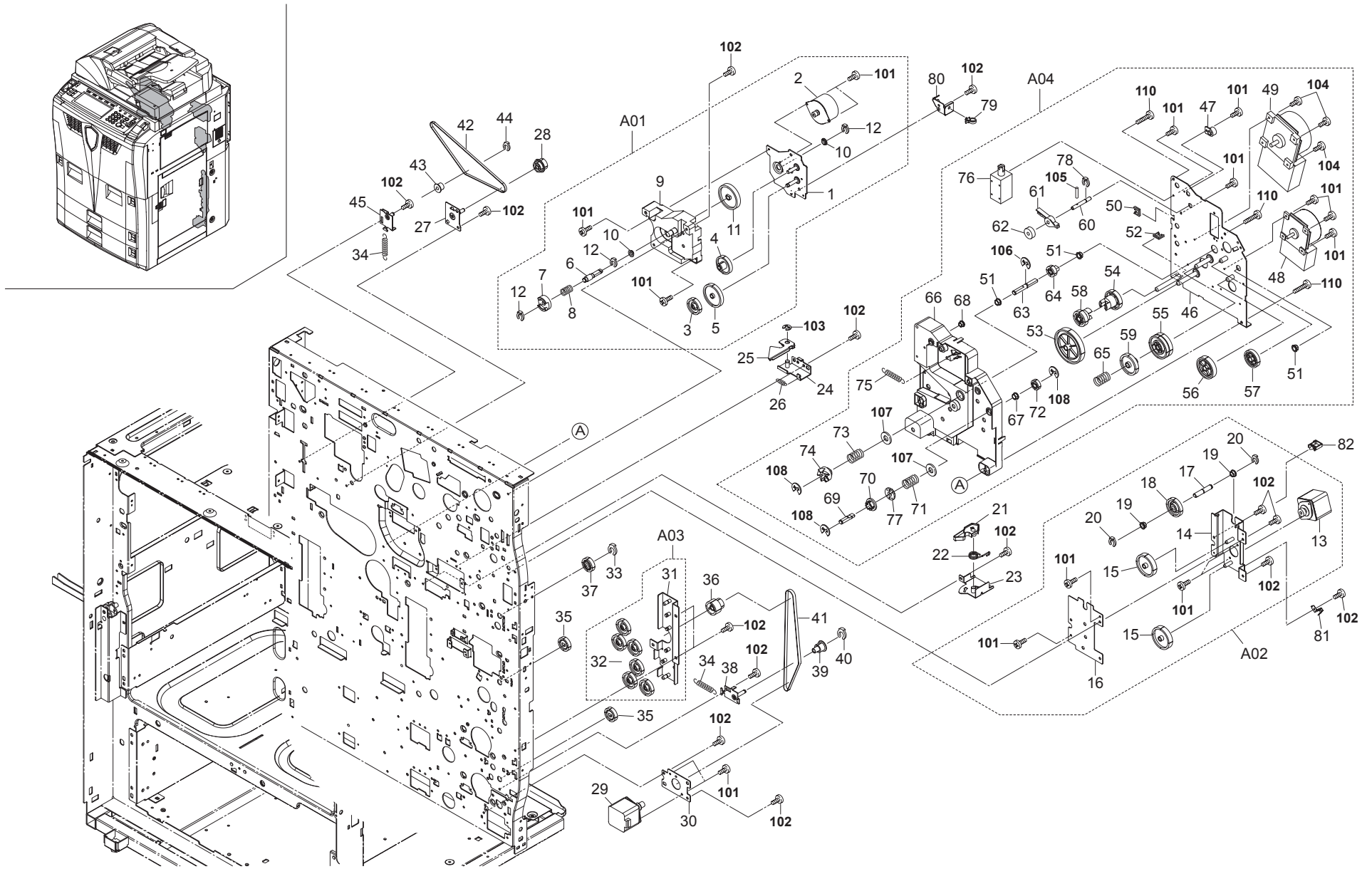


FIG. 23 Driving Section I

2FB/2FC-3

SP	Ref. No.	Part.No.	Alternative.	Description	120
⊙	A01	302FB93110	2FB93110	PARTS,CONT DRIVE ASS'Y	1
⊙	1	*2FB22320		PLATE CONT DRIVE	1
⊙	2	*2FB27040		MOTOR TONER SUPPLY	1
⊙	3	*2FB22640		GEAR 38 VERTICAL FEED	1
⊙	4	*2FB22340		GEAR Z70S/Z16S	1
⊙	5	*2FB22350		GEAR Z56S/Z20S	1
⊙	6	*302FB11070	2FB11070	SHAFT DRIVE CONT	1
⊙	7	*2FB22380		COUPLING CONTAINER	1
⊙	8	*2FB22370		SPRING CONT DRIVE	1
⊙	9	*2FB22330		HOLDER CONT DRIVE	1
⊙	10	*2BL22570		BUSH DRIVE CONT 8	2
⊙	11	*2FB22360		GEAR JOINT CONT	1
⊙	12	*5MVX111DN003	2A806250	RING STOPPER /A-49 FEED A4	3
⊙	A02	302FB93150	2FB93150	PARTS,BYPASS DRIVE ASS'Y	1
⊙	13	*2FB27120		MOTOR BYPASS	1
⊙	14	*2FB22620		RETAINER BYPASS DRIVE	1
⊙	15	*2FB22680		GEAR 54 BYPASS	2
⊙	16	*2FB22610		MOUNT BYPASS DRIVE	1
⊙	17	*2FB22780		SHAFT BYPASS DRIVE	1
⊙	18	*2FB22670		GEAR 44 BYPASS	1
⊙	19	*2BC06510		BUSHING 8	2
⊙	20	*2BC06910		STOPPER 6	2
⊙	21	2BG06420		HOOK CASSETTE	1
⊙	22	2FB06640		SPRING DECK F HOOK	1
⊙	23	2FB06630		MOUNT D FEED HOOK	1
⊙	24	2BC16450		MOUNT,CONVEYING HOOK	1
⊙	25	2BC16460		HOOK,CONVEYING RETAINING	1
⊙	26	2BC16470		SPRING,CONVEYING HOOK	1
⊙	27	2FB22600		MOUNT EJECT PULLEY	1
⊙	28	2FB22590		GEAR 19/33 EJECT	1
⊙	29	2FB27170		MOTOR VERTICAL FEED	1
⊙	30	2FB22870		MOUNT VF MOTOR	1
⊙	A03	302FB93140	2FB93140	PARTS,VERTICAL FEED DRIVE ASS'Y	1
⊙	31	*2FB22630		RETAINER VF DRIVE	1
⊙	32	*2FB22640		GEAR 38 VERTICAL FEED	6
⊙	33	2BC06910		STOPPER 6	1
⊙	34	72418140		SPRING, BLADE	2
⊙	35	2FB22650		GEAR 32 VERTICAL FEED	2
⊙	36	2FB22860		PULLEY 32 VERTICAL FEED	1
⊙	37	2FB22660		GEAR 32 FEED C	1
⊙	38	2FB22880		TENSION PLATE VF DRIVE	1
⊙	39	2FB22890		PULLEY 26 VERTICAL FEED	1
⊙	40	5MVX111DN003	2A806250	RING STOPPER /A-49 FEED A4	1
⊙	41	2FB22850		BELT VERTICAL FEED	1
⊙	42	2FB22730		BELT EJECT DRIVE	1
⊙	43	68721640		PULLEY 20,DUPLEX CONVEYING	1
⊙	44	5MVX111DN003	2A806250	RING STOPPER /A-49 FEED A4	1
⊙	45	2FB22740		TENSION PLATE EJECT DRIVE	1
⊙	A04	302FB93130	2FB93130	PARTS,FIXING DRIVE ASS'Y	1
⊙	46	*302FB22482	2FB22482	PLATE FUSER DRIVE	1

SP	Ref. No.	Part.No.	Alternative.	Description	120
⊙	47	*66222140		BUSHING,BYPASS CAM	1
⊙	48	*2FB27090		MOTOR TFR	1
⊙	49	*302FB27231	2FB27231	MOTOR FIXING	1
⊙	50	*M2104260		EDGING,EDS-0607U(KITAGAWA)	1
⊙	51	*28107400		BEARING,688ZZNR	3
⊙	52	*M2104240		EDGING,EDS-1208U	1
⊙	53	*2FB22700		GEAR 133 DUPLEX	1
⊙	54	*2FB22710		GEAR 71 DUPLEX	1
⊙	55	*302FB22960	2FB22960	GEAR 88 FUSER SMF	1
⊙	56	*2FB22230		GEAR 82 TFR	1
⊙	57	*2FB22260		GEAR 65 DISPOSAL	1
⊙	58	*2FB22720		GEAR 29 DUPLEX	1
⊙	59	*2FB22560		GEAR 40 FIXING	1
⊙	60	*2FB22530		SHAFT FUSER CL DRIVE	1
⊙	61	*2A022340		LEVER,FIXING CLEANING DRIVE	1
⊙	62	*66018160		GEAR 19,SPIRAL ROLLER	1
⊙	63	*2FB22540		SHAFT FUSER DRIVE	1
⊙	64	*2FB22580		GEAR 19 FIXING	1
⊙	65	*2FB22920		SPRING FUSER JOINT	1
⊙	66	*302FB22472	2FB22472	HOUSING FUSER DRIVE	1
⊙	67	*302FB11160	2FB11160	BEARING MF128ZZ	1
⊙	68	*2BG22970		BUSH 6 EW	1
⊙	69	*2FB22250		SHAFT TFR	1
⊙	70	*302FB22950	2FB22950	COUPLING TC DRIVE	1
⊙	71	*2FB22770		SPRING FIXING DRIVE	1
⊙	72	*2FB22240		GEAR 36 TFR	1
⊙	73	*2FB22910		SPRING FUSER DRIVE	1
⊙	74	*2FB22490		COUPLING FIXING JOINT	1
⊙	75	*2AC18300		SPRING,CLEANING	1
⊙	76	*302FB25250	2FB25250	SOLENOID FUSER WEB	1
⊙	77	*302FB22940	2FB22940	JOINT TC DRIVE	1
⊙	78	*5MVX111DN003	2A806250	RING STOPPER /A-49 FEED A4	1
⊙	79	M2107250		BAND,RSG-100(KITAGAWA)	1
⊙	80	302FB11120	2FB11120	PLATE DLP MOTOR	1
⊙	81	302FB07970	2FB07970	GROUND PLATE MP MOTOR	1
⊙	82	7YZM610003++H01	YZ010250	ACCESS SADDLE	1
⊙	101	5MBTPB3006TW++R	B1A53060	BIND T.T SCREW(+)/ M3 X 6 CRFREE S-T	1
⊙	102	B1A54080		+BIND TAP-TITE S SCREW M4X08	1
⊙	103	D1A00700		STOP RING E-7(TRIVALENT CHROMATING)	1
⊙	104	5MBTPB3010TW++R	B1A53100	BIND T.T SCREW(+)/ M3 X 10 CRFREE S-T	1
⊙	105	5MBP2010WXSP	E0020100	SPRING PIN / M2 X 10 S-BLK	1
⊙	106	D1A00600		STOP RING E-6(TRIVALENT CHROMATING)	1
⊙	107	C2808200		POLYESTER SLIDER WASHER 8X20X0.5T	1
⊙	108	D1A00500		STOP RING E-5(TRIVALENT CHROMATING)	1
⊙	109	C2891180		SHIM 12.2X18X0.25T	1
⊙	110	B1B54400		+BIND TAP-TITE S SCREW M4X40(TRIVALENT C	1

- Parts with "*" are component parts or sub-assemblies of the assembly appearing immediately above them.
- Parts with "⊙" indicates the spare parts.

- Parts with "••" are component parts or sub-assembly with "•" appearing immediately above them.

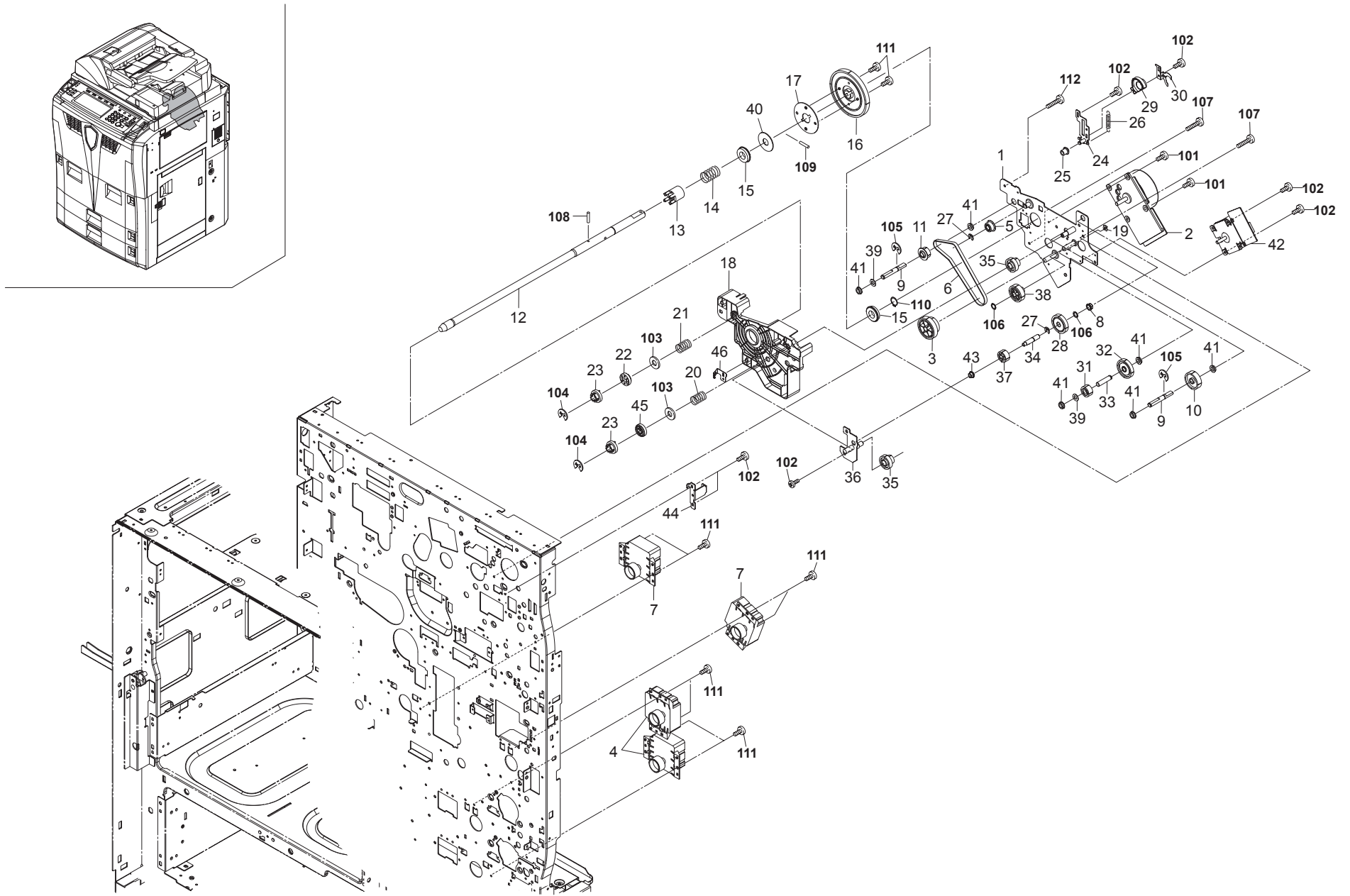


FIG. 24 Driving Section II

2FB/2FC-3

SP	Ref. No.	Part.No.	Alternative.	Description	120
	1	2FB22060		PLATE DRIVE MAIN R	1
⊙	2	2FB27020		MOTOR MAIN	1
⊙	3	2FB22110		GEAR 82/33 CLD	1
⊙	4	2FB07250		MOTOR LIFT CASSETTE	2
⊙	5	2FB22900		PULLEY 19 DRIVE	1
⊙	6	2FB22120		BELT CLEANING DRIVE	1
⊙	7	302FB07300	2FB07300	MOTOR LIFT DECK	2
⊙	8	2BC06510		BUSHING 8	1
⊙	9	2FB22450		SHAFT CLEANING DRIVE	2
⊙	10	2FB22100		GEAR 64 DLP	1
⊙	11	2FB22410		PULLEY 22 CL	1
	12	2FB22010		SHAFT DRUM DRIVE	1
	13	2FB22020		COUPLING DRUM DRIVE	1
	14	2FB22070		SPRING DRUM DRIVE	1
	15	302FB08550	2FB08550	BEARING 15/28 DRUM	2
⊙	16	2FB22030		GEAR 183 DRUM DRIVE	1
	17	2FB22270		PLATE DRUM DRIVE	1
	18	302FB22041	2FB22041	HOLDER MAIN DRIVE	1
⊙	19	5MVX111DN003	2A806250	RING STOPPER /A-49 FEED A4	1
	20	2FB22430		SPRING DLP DRIVE	1
	21	2FB22460		SPRING CL DRIVE	1
	22	33922400		JOINT,DEVELOPING DRIVE	1
	23	2FB22760		COUPLING DLP DRIVE	2
	24	2FB22440		TENSION PLATE CL	1
⊙	25	2FB22280		PULLEY TENSION	1
	26	72418140		SPRING, BLADE	1
⊙	27	2BC06910		STOPPER 6	2
⊙	28	2FB22670		GEAR 44 BYPASS	1
	29	302FB08560	2FB08560	BUSHING DRUM EARTH	1
⊙	30	302FB08570	2FB08570	GROUND PLATE DRUM B	1
⊙	31	302FB11100	2FB11100	GEAR 25 DLP	1
⊙	32	302FB11020	2FB11020	GEAR 70 DLP	1
	33	302FB11030	2FB11030	SHAFT DLP ONEWAY	1
	34	302FB11040	2FB11040	SHAFT DLP JOINT	1
⊙	35	302FB11050	2FB11050	GEAR 30/50 DLP JOINT	2
	36	302FB11060	2FB11060	PLATE DLP JOINT	1
⊙	37	302FB11080	2FB11080	GEAR 40 DLP JOINT	1
⊙	38	302FB11110	2FB11110	GEAR 40 DLP	1
⊙	39	302FB11140	2FB11140	POLY WASHER 8.2X9.5X0.5	2
	40	302FB11150	2FB11150	SPACER MAIN DRIVE	1
⊙	41	302FB11160	2FB11160	BEARING MF128ZZ	6
⊙	42	302FB25300	2FB25300	MOTOR DLP	1
⊙	43	3CY07080		BUSHING 6	1
	44	302FB11130	2FB11130	MOUNT DLP DRIVE	1
	45	302FB11170	2FB11170	JOINT DEVELOPING DRIVE	1
	46	302FB11180	2FB11180	GROUND PLATE DLP INPUT	1

SP	Ref. No.	Part.No.	Alternative.	Description	120
	101	B0A23080		+ROUND HEAD SCREW WITH SW.W M3X8(TRIVALE	
	102	5MBTPB3006TW++R	B1A53060	BIND T.T SCREW(+) M3 X 6 CRFREE S-T	
	103	C2891180		SHIM 12.2X18X0.25T	
	104	D1A00500		STOP RING E-5(TRIVALENT CHROMATING)	
	105	D1A00700		STOP RING E-7(TRIVALENT CHROMATING)	
	106	C2895120		SHIM 8.2-0.25T	
	107	B1B54400		+BIND TAP-TITE S SCREW M4X40(TRIVALENT C	
	108	E5130200		SPRING PIN H7A 3X20 SUS	
	109	E5140300		PARALLEL PIN 4X30 SUS	
	110	D2001500	48402150	STOP RING C-15	
	111	5MBTPB3010TW++R	B1A53100	BIND T.T SCREW(+) M3 X 10 CRFREE S-T	

- Parts with "*" are component parts or sub-assemblies of the assembly appearing immediately above them.
- Parts with "⊙" indicates the spare parts.

- Parts with "••" are component parts or sub-assembly with "•" appearing immediately above them.

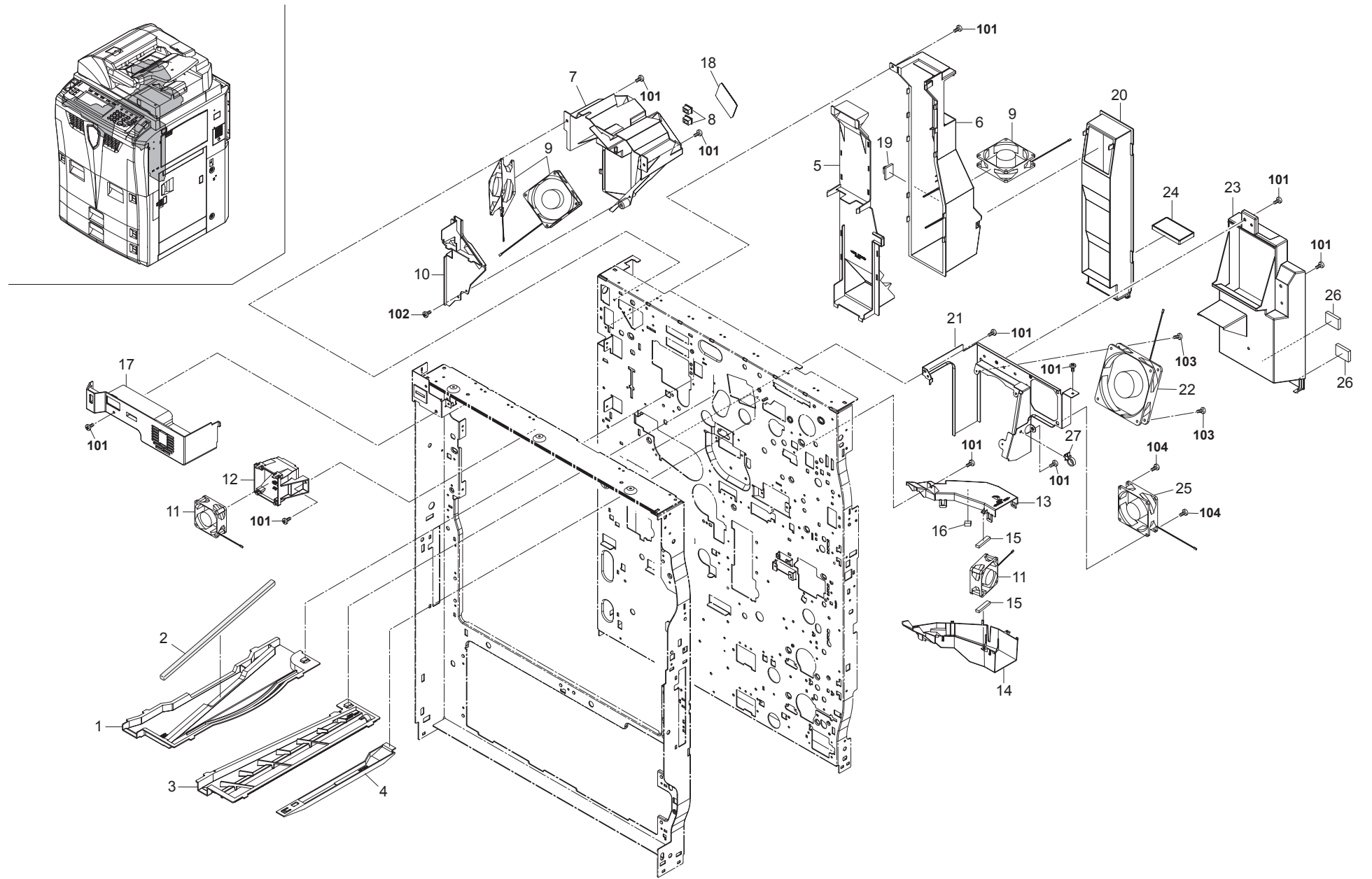


FIG. 25 Cooling Section

2FB/2FC-3

SP	Ref. No.	Part.No.	Alternative.	Description	120
	1	2FB23080		UPPER DUCT FIXING	1
	2	2FB23090		SPONGE UPPER DUCT FIXING	1
	3	2FB23060		DUCT MAIN CHARGER	1
	4	302FB23030	2FB23030	UPPER DUCT DEV	1
	5	302FB23222	2FB23222	REAR CENTER DUCT A	1
	6	302FB23232	2FB23232	REAR CENTER DUCT B	1
	7	302FB23300	2FB23300	CENTER REAR DUCT C	1
	8	7YCC02B1001+H01	YC014610	CONNECTOR	2
⊙	9	302FB25330	2FB25330	FAN 80 FRONT COOLING	3
	10	302FB23290	2FB23290	UPPER REAR DUCT B	1
⊙	11	2FB27190		FAN 60 COOLING	2
	12	302FB23280	2FB23280	FRONT DUCT LSU B	1
	13	302FB23321	2FB23321	REAR DUCT DLP A	1
	14	302FB23331	2FB23331	REAR DUCT DLP B	1
	15	302FB23450	2FB23450	SPONGE DLP DUCT	2
	16	7YCC02B1001+H01	YC014610	CONNECTOR	1
⊙	17	2FB04250		COVER SAFETY SWITCH	1
	18	302FB23340	2FB23340	FILM UPPER REAR DUCT	1
	19	M2105970		CLAMP,CKN-10(KITAGAWA)	1
	20	302FB23241	2FB23241	LOWER REAR DUCT	1
	21	302FB23522	2FB23522	MOUNT REAR FAN	1
⊙	22	302FB25341	2FB25341	FAN COOLING 120	1
	23	302FB23511	2FB23511	DUCT REAR FAN	1
⊙	24	302FB23011	2FB23011	OZONE FILTER	1
⊙	25	302FB25320	2FB25320	FAN 80 CENTER COOLING	1
	26	302FB23600	2FB23600	SPONGE REAR DUCT FAN	2
	27	M2107250		BAND,RSG-100(KITAGAWA)	1

SP	Ref. No.	Part.No.	Alternative.	Description	120
	101	B1A54080		+BIND TAP-TITE S SCREW M4X08	
	102	5MBTPB3008PW++R	B1A63080	BIND T.T SCREW(+)/ M3 X 8 CRFREE P-T	
	103	5MVTPG3008PW++H	B1B53300	+BIND TAP-TITE S SCREW M3X30	
	104	B1B54300		+BIND TAP-TITE S SCREW M4X30(TRIVALENT C	

- Parts with "*" are component parts or sub-assemblies of the assembly appearing immediately above them.
- Parts with "⊙" indicates the spare parts.

- Parts with "••" are component parts or sub-assembly with "•" appearing immediately above them.

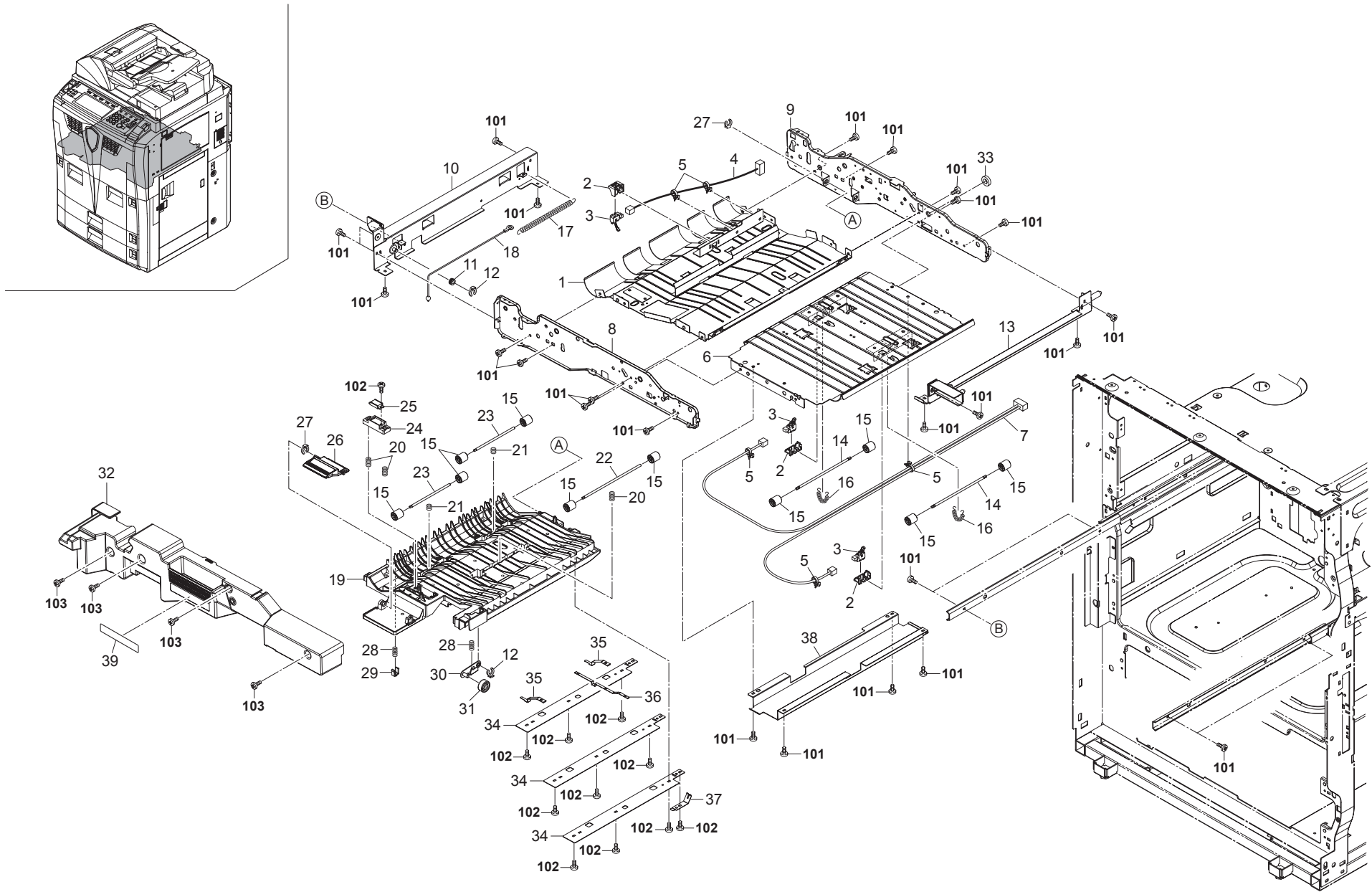


FIG. 26 Duplex Unit I

2FB/2FC-3

SP	Ref. No.	Part.No.	Alternative.	Description	120
	1	302FB19041	2FB19041	UPPER GUIDE DU CONVEYING	1
⊙	2	2FB19770		HOLDER SW DU	3
⊙	3	302FB27240	2FB27240	SWITCH FEED A	3
	4	2FB27770		WIRE DUPLEX UNIT D	1
	5	M2107250		BAND,RSG-100(KITAGAWA)	5
	6	2FB00080		LOWER GUIDE DU CONV ASSY	1
	7	2FB27750		WIRE DUPLEX UNIT B	1
	8	302FB19011	2FB19011	FRONT FRAME DU	1
	9	302FB00071	2FB00071	REAR FRAME DU ASS'Y	1
	10	2FB19470		LEFT MOUNT GUIDE RAIL	1
⊙	11	2BC07050		PULLEY,LIFT WIRE	1
⊙	12	5MVX111DN003	2A806250	RING STOPPER /A-49 FEED A4	2
	13	2FB19460		RIGHT MOUNT GUIDE RAIL	1
	14	2FB19550		SHAFT C DU CONVEYING	2
⊙	15	2BL21330		PULLEY FEED SHIFT	10
	16	2FB19860		SPRING CONVEYING	2
	17	2FB19870		SPRING C LOWER GUIDE	1
	18	2FB19980		WIRE JAM LIFT	1
	19	2FB19030		LOWER GUIDE DU 1/2	1
	20	2FB19580		SPRING RETAINING	3
	21	2FB19570		SPRING RETAINING 2	2
	22	2FB19540		SHAFT B DU CONVEYING	1
	23	2FB19510		SHAFT A DU CONVEYING	2
	24	2FB19950		HOLDER MAGNET	1
	25	302FB19961	2FB19961	MAGNET LOWER GUIDE	1
	26	2FB19480		LEVER GUIDE DU	1
⊙	27	2BC06910		STOPPER 6	2
	28	2FB19810		SPRING A LOWER GUIDE	2
⊙	29	2FB07330		STOPPER BYPASS TABLE	1
	30	302FB19500	2FB19500	MOUNT PULLEY LIFT	1
	31	27307190	48927324	PULLEY,CLEANING UNIT	1
⊙	32	2FB04550		COVER DU	1
	33	302FB19310	2FB19310	SPONGE DU REAR FRAME	1
	34	302FB09710	2FB09710	MOUNT GROUND LOWER GUIDE	3
	35	302FB09730	2FB09730	GROUND PLATE LOWER GUIDE A	2
	36	302FB09740	2FB09740	GROUND PLATE LOWER GUIDE B	1
	37	302FB09750	2FB09750	GROUND PLATE LOWER GUIDE C	1
	38	302FB09780	2FB09780	LOWER COVER DU	1
	39	302FB05160	2FB05160	LABEL JAM B	1

SP	Ref. No.	Part.No.	Alternative.	Description	120
	101	5MBTPB3006TW++R	B1A53060	BIND T.T SCREW(+)/ M3 X 6 CRFREE S-T	
	102	5MBTPB3008PW++R	B1A63080	BIND T.T SCREW(+)/ M3 X 8 CRFREE P-T	
	103	B1A54080		+BIND TAP-TITE S SCREW M4X08	

- Parts with "*" are component parts or sub-assemblies of the assembly appearing immediately above them.
- Parts with "⊙" indicates the spare parts.

- Parts with "••" are component parts or sub-assembly with "•" appearing immediately above them.

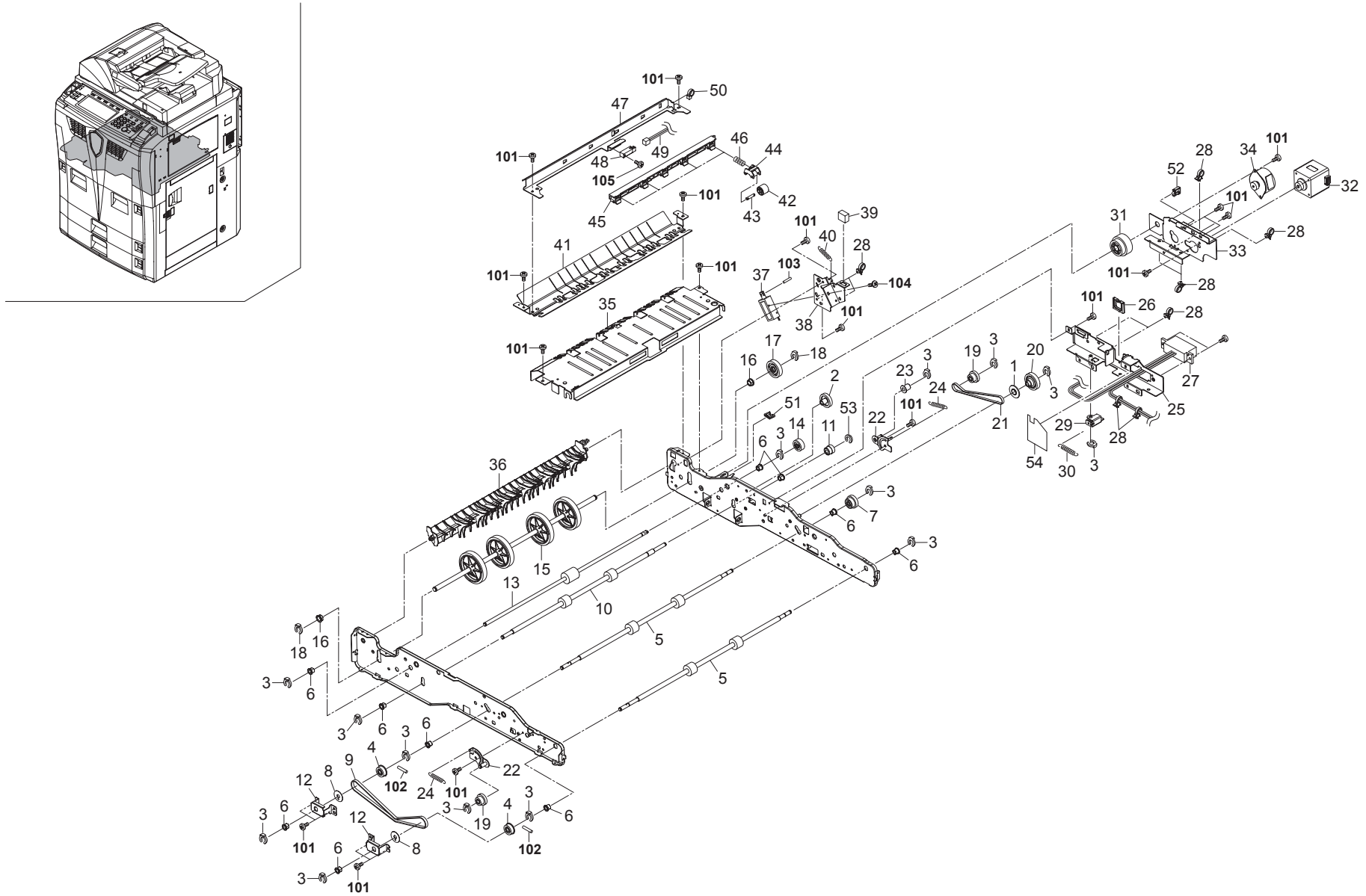


FIG. 27 Duplex Unit II

2FB/2FC-3

SP	Ref. No.	Part.No.	Alternative.	Description	120
⊙	1	302FB09640	2FB09640	COLLAR DU PULLEY	1
⊙	2	302FB09650	2FB09650	GEAR DU 30	1
⊙	3	5MVX111DN003	2A806250	RING STOPPER /A-49 FEED A4	14
⊙	4	302FB09610	2FB09610	PULLEY 30 DU	2
⊙	5	302FB19211	2FB19211	ROLLER B DU CONVEYING	2
⊙	6	2BC06520		BUSHING 6,REGISTRATION	10
⊙	7	2FB19620		GEAR 27/24 ONE-WAY L	1
⊙	8	302FB09670	2FB09670	SPACER DU PULLEY	2
⊙	9	302FB09720	2FB09720	BELT FRONT DRIVE	1
⊙	10	302FB19371	2FB19371	ROLLER A DU CONVEYING	1
⊙	11	302FB09631	2FB09631	GEAR DU 17	1
⊙	12	302FB09620	2FB09620	PLATE DU ROLLER	2
⊙	13	302FB19401	2FB19401	ROLLER SWITCHBACK DU	1
⊙	14	2FB19140		GEAR 24 DU CONVEYING	1
⊙	15	2FB00040		ROLLER REFEED ASS'Y	1
⊙	16	2BC06510		BUSHING 8	2
⊙	17	302FB09680	2FB09680	GEAR DU 30 ONEWAY	1
⊙	18	2BC06910		STOPPER 6	2
⊙	19	2FB19630		PULLEY 24/24 DU CONVEYING	2
⊙	20	2FB19680		GEAR 37/24 DU CONVEYING	1
⊙	21	2FB19640		BELT REAR FEED	1
⊙	22	2FB19280		TENSION PLATE DU	2
⊙	23	2FB19290		PULLEY DU TENSION	1
⊙	24	2FB19600		SPRING TENSION	2
⊙	25	2FB19200		MOUNT PLATE DU DRAWER	1
⊙	26	M2104220		EDGING,EDS-1717U	1
⊙	27	2FB27740		WIRE DUPLEX UNIT A	1
⊙	28	M2107250		BAND,RSG-100(KITAGAWA)	10
⊙	29	2BC21500		HOOK,DUPLEX RETAINING	1
⊙	30	2FB19850		SPRING DU HOOK	1
⊙	31	2FB19170		GEAR 28/35	1
⊙	32	302FB25310	2FB25310	MOTOR DU CONVEYING	1
⊙	33	2FB19190		MOUNT PLATE DU DRIVE	1
⊙	34	2FB27130		MOTOR DUPLEX	1
⊙	35	2FB19320		GUIDE FEED REVERSE	1
⊙	36	2FB19100		GUIDE TURN OVER DU	1
⊙	37	302FB25020	2FB25020	SOLENOID STOPPER	1
⊙	38	2FB19130		MOUNT FEED SHIFT SOLENOID	1
⊙	39	7YCC03B1003+H01	YC014630	CONNECTOR	1
⊙	40	63213360		SPRING,PAPER EJECT HOLDER	1
⊙	41	2FB19590		GUIDE DU REFEED	1
⊙	42	3H608200		PULLEY CONVEYING	4
⊙	43	3H608150		SHAFT C PULLEY	4
⊙	44	2FB19740		HOLDER PULLEY	4
⊙	45	3H608100		MOUNT C PULLEY	1
⊙	46	302FB19710	2FB19710	SPRING C PULLEY	4
⊙	47	2FB19120		MOUNT REFEED PULLEY	1
⊙	48	2FG27110		SWITCH REGISTRATION	1
⊙	49	2FB27790		WIRE DUPLEX UNIT F	1
⊙	50	M2107240		BAND,KI-100(KITAGAWA)	1

SP	Ref. No.	Part.No.	Alternative.	Description	120
	51	M2104250		EDGING,EDS-17L(KITAGAWA)	1
	52	7YZM610001++H01	YZ010230	ACCESS SADDLE	1
	53	302FB09830	2FB09830	CUT WASHER 4	1
	54	302FB09840	2FB09840	FILM DU DRAWER	1
	101	5MBTPB3006TW++R	B1A53060	BIND T.T SCREW(+)/ M3 X 6 CRFREE S-T	
	102	5MBP2012WXSP	E0020120	SPRING PIN / M2 X 12 S-BLK	
	103	E0120240		SPRING PIN 2X24(SUS)	
	104	B4A03040		+TP-A SCREW M3X04(TRIVALENT CHROMATING)	
	105	5MBTPB3014TW++R	B1A53140	BIND T.T SCREW(+)/ M3 X 14 CRFREE S-T	

- Parts with "*" are component parts or sub-assemblies of the assembly appearing immediately above them.
- Parts with "⊙" indicates the spare parts.

- Parts with "••" are component parts or sub-assembly with "•" appearing immediately above them.

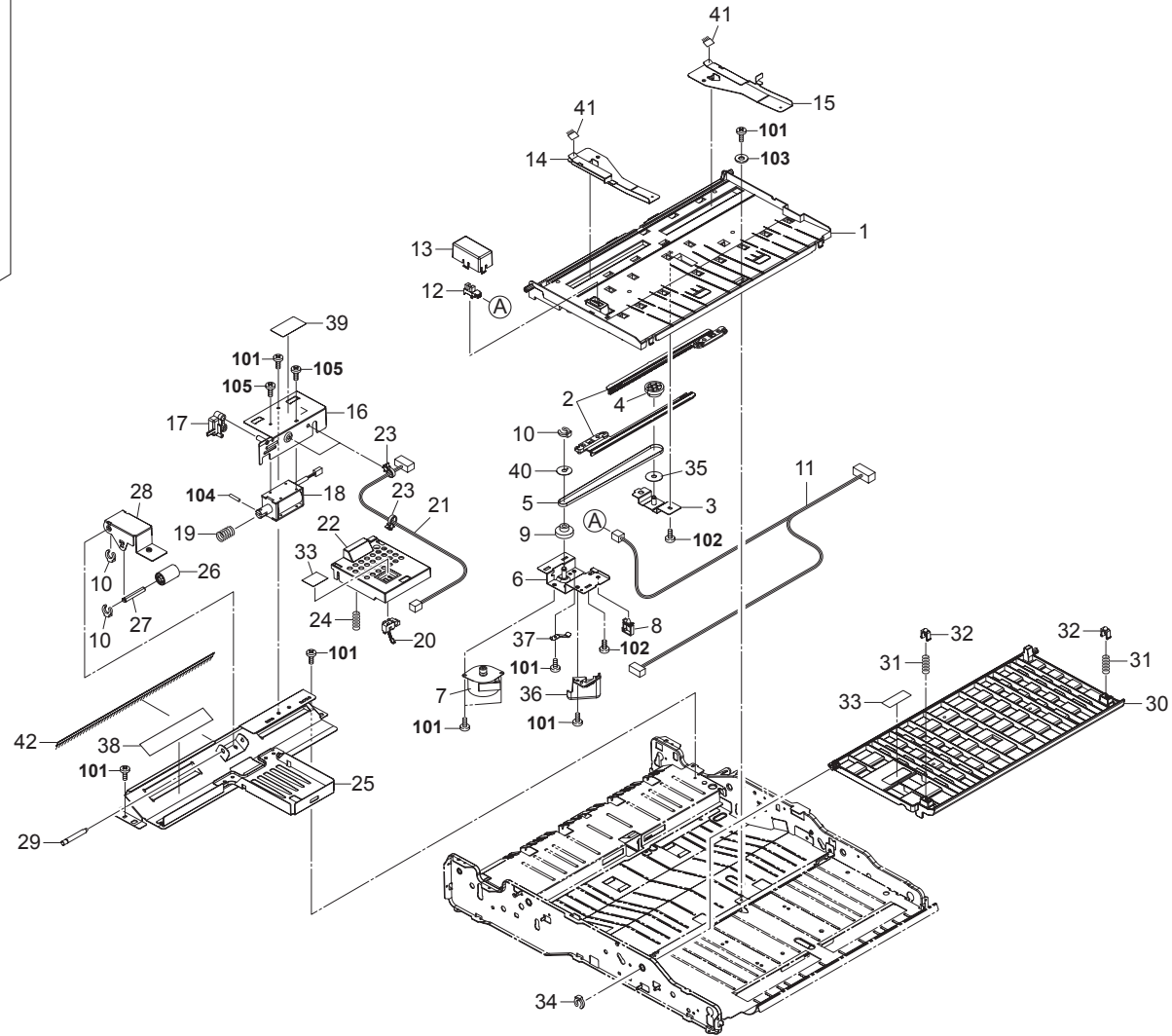
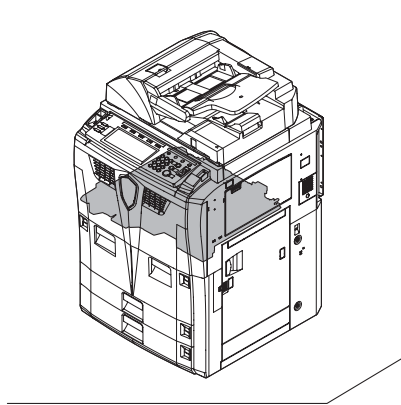


FIG. 28 Duplex Unit III

2FB/2FC-3

SP	Ref. No.	Part.No.	Alternative.	Description	120
	1	2FB19090		GUIDE MIDDLE TRAY	1
⊙	2	302FB19252	2FB19252	LOWER RACK MIDDLE TRAY	2
	3	2FB19920		MOUNT SIDE REGIST DRIVE	1
⊙	4	2FB19260		GEAR Z30/B30	1
⊙	5	2FB19420		BELT SIDE REGISTRATION	1
	6	2FB19490		MOUNT SIDE REGISTRATION	1
⊙	7	302FB25100	2FB25100	MOTOR EJECT	1
	8	7YZM610001++H01	YZ010230	ACCESS SADDLE	1
⊙	9	3BN07050		GEAR Z47/B20, SIDE REGISTRATION	1
⊙	10	5MVX111DN003	2A806250	RING STOPPER /A-49 FEED A4	3
	11	2FB27760		WIRE DUPLEX UNIT C	1
⊙	12	2C927210		SENSOR 248NL1	1
⊙	13	2FB19830		COVER SW SIDE REGIST	1
⊙	14	2FB19780		LEFT GUIDE SIDE B	1
⊙	15	2FB19790		RIGHT GUIDE SIDE B	1
	16	2FB19350		MOUNT SOLENOID	1
⊙	17	2FB19340		LEVER REVERSE SOLENOID	1
⊙	18	302FB25010	2FB25010	SOLENOID B CLEANING	1
	19	302FB19360	2FB19360	SPRING SWITCHBACK SOL	1
⊙	20	302FB27240	2FB27240	SWITCH FEED A	1
	21	2FB27780		WIRE DUPLEX UNIT E	1
	22	2FB19820		COVER SW SWITCHBACK	1
	23	M2107250		BAND, RSG-100(KITAGAWA)	3
	24	2FB19800		SPRING DU SWITCHBACK	1
⊙	25	302FB19331	2FB19331	STAY REVERSE FEED	1
	26	2FB19390		PULLEY DU SWITCHBACK	1
	27	2FB19720		SHAFT PULLEY	1
	28	302FB09820	2FB09820	HOLDER SWITCHBACK PULLEY B	1
	29	2FB19910		SHAFT HOLDER	1
	30	2FB19060		RIGHT GUIDE MIDDLE TRAY	1
⊙	31	302FB19180	2FB19180	SPRING RIGHT GUIDE	2
⊙	32	2FB07330		STOPPER BYPASS TABLE	2
⊙	33	302FB19560	2FB19560	FILM SWITCHBACK	1
⊙	34	2BC06910		STOPPER 6	1
	35	302FB19700	2FB19700	SPACER REGIST DRIVE	1
	36	302FB19690	2FB19690	SHIELD MOTOR DU	1
	37	302FB19750	2FB19750	GROUND PLATE SIDE REG	1
	38	302FB05260	2FB05260	LABEL TEMP CAUTION DU	1
	39	302FB05310	2FB05310	LABEL DU TEMP	1
	40	302FB09670	2FB09670	SPACER DU PULLEY	1
⊙	41	302FB09860	2FB09860	STATIC ELIMINATOR DU C	2
⊙	42	302FB09700	2FB09700	STATIC ELIMINATOR DU A	1

SP	Ref. No.	Part.No.	Alternative.	Description	120
	101	5MBTPB3006TW++R	B1A53060	BIND T.T SCREW(+)/ M3 X 6 CRFREE S-T	
	102	5MBTPB3008PW++R	B1A63080	BIND T.T SCREW(+)/ M3 X 8 CRFREE P-T	
	103	C2603080		PLAIN WASHER M3-8 (BRASS,N:)	
	104	E0130280		SPRING PIN 3X28(SUS)	
	105	B4A03040		+TP-A SCREW M3X04(TRIVALENT CHROMATING)	

- Parts with "*" are component parts or sub-assemblies of the assembly appearing immediately above them.
- Parts with "⊙" indicates the spare parts.

- Parts with "••" are component parts or sub-assembly with "•" appearing immediately above them.

FIG. 29 Paper Eject

2FB/2FC-3

SP	Ref. No.	Part.No.	Alternative.	Description	120
⊙	1	2FB21010		LEFT GUIDE SWITCH BACK	1
	2	2FG27110		SWITCH REGISTRATION	1
	3	2FB21090		FRONT FRAME EJECT	1
	4	2FB21100		REAR FRAME EJECT	1
	5	2BC21140		LEVER,SWITCH BACK ROLLER RELEASE	1
	6	2FB21620		PIN EJECT	1
	7	2BC21150		SPRING,TURN OVER ROLLER RELEASE	1
	8	302FB21390	2FB21390	LEFT SHAFT TURN OVER	1
⊙	9	2FB21120		PULLEY ARM LARGE	4
	10	2BC21100		LIFT PLATE,TURN OVER ROLLER RELEASE	2
	11	2BC21090		WORK PLATE,SWITCH BACK ROLLER RELEASE	1
	12	29717220		PRESSING SPRING B,SB	2
⊙	13	2FB21050		ROLLER EJECT	1
⊙	14	28107400		BEARING,688ZZNR	2
⊙	15	2BC06910		STOPPER 6	9
⊙	16	2FB21140		PULLEY 24 EJECT	1
	17	302FB21022	2FB21022	UPPER GUIDE EJECT	1
	18	302FB21450	2FB21450	SHAFT EJECT PULLEY	1
⊙	19	2FB21060		PULLEY EJECT	4
	20	302FB21200	2FB21200	PLATE SPRING EJECT	3
	21	2BC21120		MOUNT,RELEASE PULLEY	1
⊙	22	66321430		FEEDBACK PULLEY	1
⊙	23	5MVX111DN007	2BT11070	STOPPER 3 /2BT1107 A4	1
	24	2FB21150		LOWER GUIDE EJECT	1
	25	2FB27640		WIRE EJECT	1
⊙	26	2AC21250		STATIC ELIMINATOR,EJECT	1
	27	302FB26340	2FB26340	MOUNT POWER SOURCE AC J	1
	28	M2108000	49628603	SPACER,KGLS-3S	6
	29	7YZM610003++H01	YZ010250	ACCESS SADDLE	3
	30	7YZM610004++H01	YZ012210	ACCESS SADDLE	1
⊙	31	302FB28210	2FB28210	AC POWER SOURCE PWB 100	1
⊙	32	302FB28240	2FB28240	DF POWER SOURCE PWB 100	1
	33	2FB27950		WIRE DEHUMIDIFIER HEATER	1
	34	302FB28760	2FB28760	WIRE OPTION PS PWB	1
⊙	35	2BC06980		STOPPER 5	1

SP	Ref. No.	Part.No.	Alternative.	Description	120
	101	5MBTPB3006TW++R	B1A53060	BIND T.T SCREW(+)/ M3 X 6 CRFREE S-T	
	102	B1A54080		+BIND TAP-TITE S SCREW M4X08	
	103	5MBTPB3014TW++R	B1A53140	BIND T.T SCREW(+)/ M3 X 14 CRFREE S-T	
	104	5MBSP43006NW++R	B4A03060	TP HEAD SCREW(+)/ M3 X 6 DRFREE	

- Parts with "•" are component parts or sub-assemblies of the assembly appearing immediately above them.
- Parts with "⊙" indicates the spare parts.

- Parts with "••" are component parts or sub-assembly with "•" appearing immediately above them.

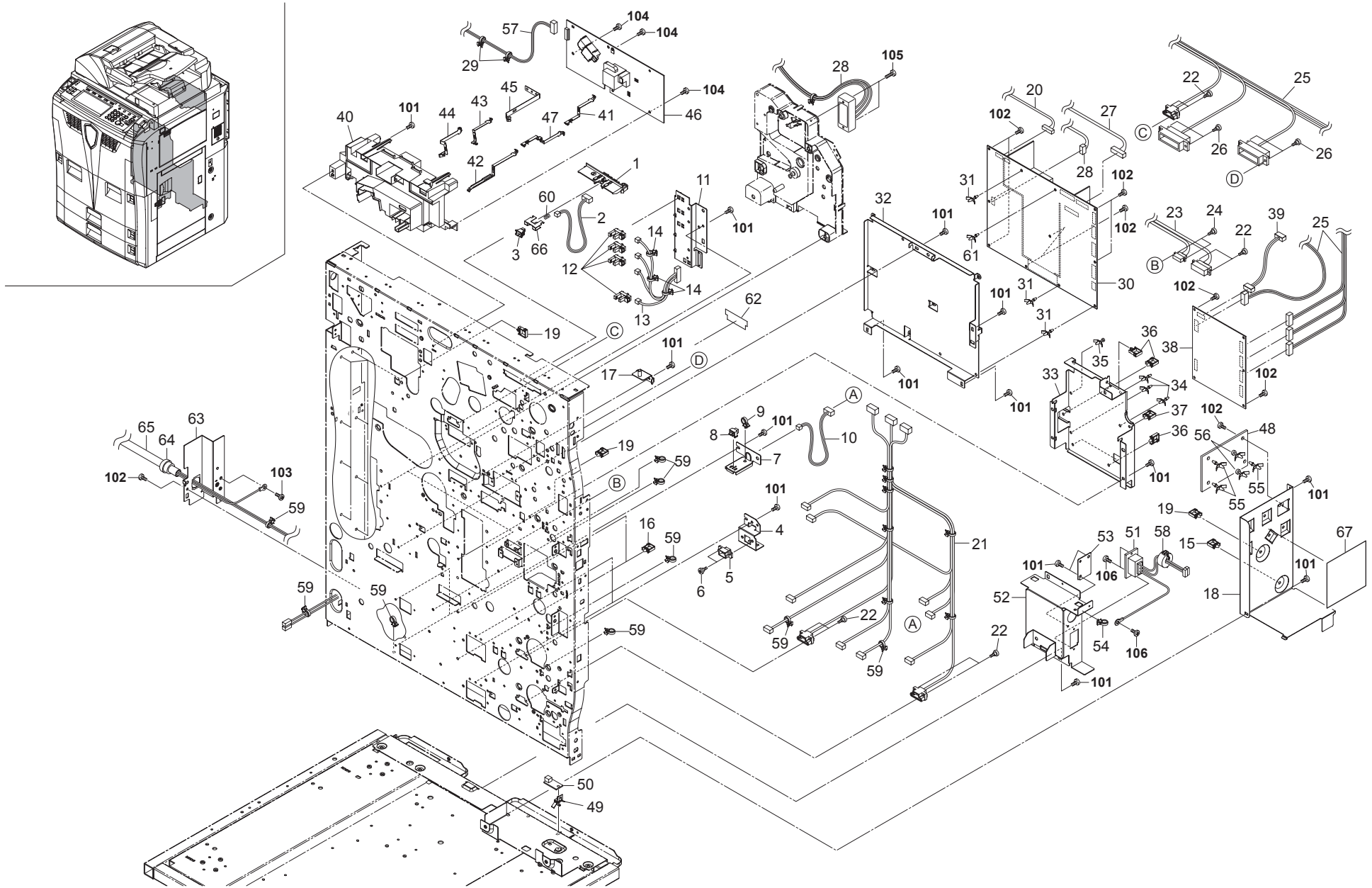


FIG. 30 Electrical Components I

2FB/2FC-3

SP	Ref. No.	Part.No.	Alternative.	Description	120
	1	302FB02630	2FB02630	HOLDER CONT SW3	1
	2	2FB27510		WIRE CASSETTE LENGTH SW	1
⊙	3	35927420		SWITCH,SIZE	1
	4	2FB07240		MOUNT CASSETTE DRAWER	2
⊙	5	7YCC08B2046+H02	YC026130	CONNECTOR	2
	6	2BG02420		SCREW B	4
	7	2FB07280		HOLDER CASSETTE SW	2
⊙	8	66127010		SWITCH,COVER OPEN	2
	9	M2107250		BAND,RSG-100(KITAGAWA)	2
	10	2FB27510		WIRE CASSETTE LENGTH SW	2
	11	2FB07270		MOUNT PAPER DETECTION	2
⊙	12	2FB27070		SWITCH PAPER DETECTION	8
	13	2FB27620		WIRE DECK REMAINDER SW	2
	14	M2107250		BAND,RSG-100(KITAGAWA)	6
	15	7YZM610001++H01	YZ010230	ACCESS SADDLE	1
	16	7YZM610004++H01	YZ012210	ACCESS SADDLE	2
	17	2FB19230		SUPPORT PLATE HOOK SHAFT	1
	18	302FB26223	2FB26223	COVER POWER SOURCE	1
	19	7YZM610003++H01	YZ010250	ACCESS SADDLE	10
	20	2FB27920		WIRE HEATER CONTROL	1
	21	302FB27713	2FB27713	WIRE CASSETTE PWB	1
	22	2FB08460		PIN CONNECTOR	8
	23	302FB27681	2FB27681	WIRE DECK PWB 1	1
	24	3CZ02240		PIN,DRAWER SIDE CONVEYING	2
	25	302FB27301	2FB27301	WIRE MAIN	1
	26	302FB16440	2FB16440	PIN DRAWER B	4
	27	2FB27910		WIRE SCANNER POWER	1
	28	2FB27320		WIRE PRIMARY	1
	29	M2107240		BAND,KI-100(KITAGAWA)	2
⊙	30	2FB28130		POWER SUPPLY PWB 100	1
	31	M2108000	49628603	SPACER,KGLS-3S	3
	32	2FB26040		MOUNT POWER SOURCE	1
	33	302FB26171	2FB26171	MOUNT DU PWB	1
	34	M2108000	49628603	SPACER,KGLS-3S	3
	35	M2108080	49628604	SPACER,KGPS-3S	1
	36	7YZM610004++H01	YZ012210	ACCESS SADDLE	4
	37	7YZM610003++H01	YZ010250	ACCESS SADDLE	1
⊙	38	302FB01052	2FB01052	DUPLEX PWB ASS'Y	1
	39	2FB27700		WIRE FUSER MOTOR	1
	40	2FB08240		CASE HIGH VOLTAGE CATCH	1
	41	2FB08250		TERMINAL PTC CATCH	1
	42	2FB08270		TERMINAL DB CATCH	1
	43	2FB08350		TERMINAL MAIN	1
	44	2FB08360		TERMINAL GRID	1
	45	2FB08400		GROUND PLATE HV	1
⊙	46	2FB28150		HIGH VOLTAGE PWB MC	1
	47	302FB08490	2FB08490	TERMINAL DLP CATCH	1
⊙	48	302FB01250	2FB01250	FAN DRIVE PCB ASSY	1
	49	7YZM510001++H01	YZ004380	ACCESS.SPACER	1
⊙	50	2FB27060		SENSOR HUMIDITY	1

SP	Ref. No.	Part.No.	Alternative.	Description	120
	51	2FB27810		WIRE OPTION DECK	1
	52	302FB26201	2FB26201	MOUNT SIDE CONNECTOR	1
	53	302FB26270	2FB26270	LID KMAS	1
	54	M2107250		BAND,RSG-100(KITAGAWA)	1
	55	M2108000	49628603	SPACER,KGLS-3S	3
	56	M2108080	49628604	SPACER,KGPS-3S	2
	57	302FB28730	2FB28730	WIRE HIGH VOLTAGE PWB	1
	58	2AV27440		CORE 15-26X13	1
	59	M2107250		BAND,RSG-100(KITAGAWA)	9
	60	302FB02820	2FB02820	SPRING CONT SW	1
	61	7YZM510003++H01	YZ020600	ACCESS.SPACER	1
	62	302FB26460	2FB26460	FILM DU HOOK	1
	63	302FB26320	2FB26320	MOUNT POWER SOURCE SUPPLY 120	1
	64	7YZM120001++H01	YZ004390	ACCESS.BUSHING	1
	65	302FB27221	2FB27221	POWER CORD(120)	1
	66	302FB02810	2FB02810	MOUNT CONT SW	1
	67	302FB26520	2FB26520	FILM COVER POWER SOURCE	1
	101	B1A54080		+BIND TAP-TITE S SCREW M4X08	
	102	5MBTPB3006TW++R	B1A53060	BIND T.T SCREW(+)/ M3 X 6 CRFREE S-T	
	103	5MBTPB3008TW++R	B1A53080	BIND T.T SCREW(+)/ M3 X 8 CRFREE S-T	
	104	5MBTPB3008PW++R	B1A63080	BIND T.T SCREW(+)/ M3 X 8 CRFREE P-T	
	105	B1B54120		+BIND TAP-TITE S SCREW M4X12(TRIVALENT C	
	106	5MBTPB3010TW++R	B1A53100	BIND T.T SCREW(+)/ M3 X 10 CRFREE S-T	

- Parts with "*" are component parts or sub-assemblies of the assembly appearing immediately above them.
- Parts with "⊙" indicates the spare parts.

- Parts with "••" are component parts or sub-assembly with "•" appearing immediately above them.

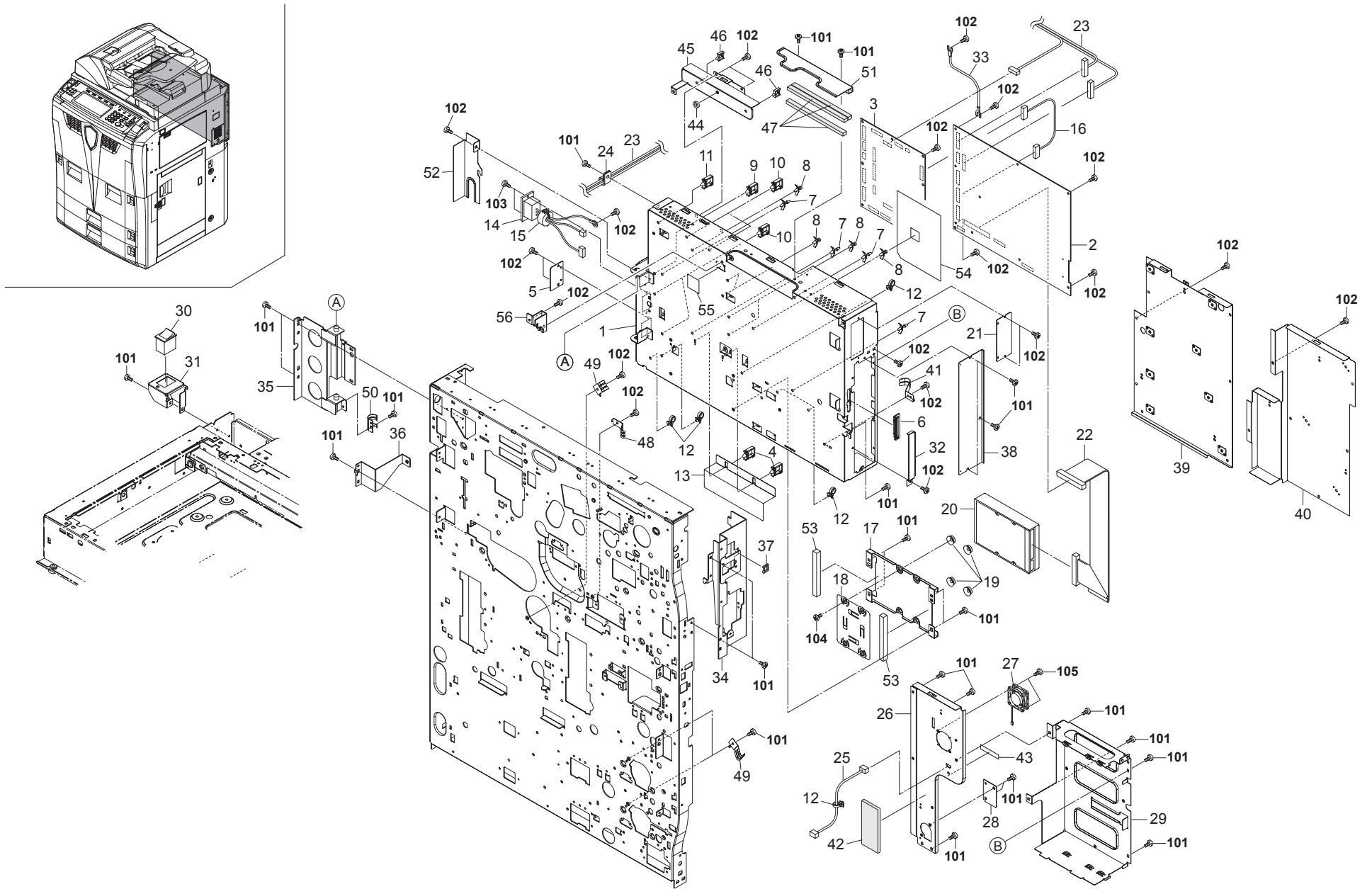


FIG. 31 Electrical Components II

2FB/2FC-3

SP	Ref. No.	Part.No.	Alternative.	Description	120
⊙	1	302FB26062	2FB26062	MOUNT SEQUENCE	1
⊙	2	302FB68152	2FB68152	MAIN PWB ASS'Y (SP) (80ppm)	1
⊙	2	302FC68312	2FC68312	MAIN PWB ASS'Y (SP) (60ppm)	1
⊙	3	302FB68131	2FB68131	ENGINE PWB ASS'Y (SP)	1
	4	M21AK050		WIRE SADDLE,RLWS-1515T V0(KITAGAWA)	2
	5	302FB26290	2FB26290	LID VENDOR	1
	6	2DA26520		GUIDE CF	1
	7	M2108000	49628603	SPACER,KGLS-3S	4
	8	M2108080	49628604	SPACER,KGPS-3S	6
	9	7YZM610005++H01	YZ012220	ACCESS SADDLE	1
	10	7YZM610004++H01	YZ012210	ACCESS SADDLE	4
	11	7YZM610003++H01	YZ010250	ACCESS SADDLE	1
	12	M2107250		BAND,RSG-100(KITAGAWA)	6
	13	302FB26420	2FB26420	FILM HDD	1
	14	2FB27800		WIRE FINISHER	1
	15	2AV27440		CORE 15-26X13	1
	16	2FB27940		WIRE MAIN PWB	1
	17	2BC26270		MOUNT,HDD	1
	18	2BC26280		GROUND PLATE,HDD	1
	19	302FB26330	2FB26330	V RING 6	4
⊙	20	7NH3M040G001H01	NH003070	STORAGE DEVICE	1
	21	2DA26540		LID NETWORK	1
	22	2FB27390		WIRE HDD	1
	23	2FB27330		WIRE OPERATION	1
	24	M7005030		CLAMP,EMT-5N(TAKEUCHI)	1
	25	302FB28720	2FB28720	WIRE SHIELD BOX FAN	1
	26	302FB26260	2FB26260	STAY SEQUENCE	1
	27	302FB25260	2FB25260	FAN 40-15(5V)	1
	28	302FB26270	2FB26270	LID KMAS	1
	29	302FB26240	2FB26240	RAIL CONTROLLER	1
⊙	30	2BL27430		SWITCH MAIN	1
	31	2FB26160		MOUNT MAIN SW	1
	32	302FB26360	2FB26360	LID CF GUIDE	1
	33	302FB28800	2FB28800	WIRE SCANNER PWB GND	1
	34	2FB26150		RETAINER SEQUENCE	1
	35	302FB26071	2FB26071	SUPPORT PLATE SEQUENCE	1
	36	302FB02170	2FB02170	MOUNT REAR COVER	1
	37	7YZM210001++H01	YZ004370	ACCESS.EDGING	1
	38	302FB26250	2FB26250	LID CONTROLLER	1
	39	302FB26091	2FB26091	UPPER LID SEQUENCE	1
	40	302FB26100	2FB26100	RIGHT LID SEQUENCE	1
	41	302FB26380	2FB26380	EARTH CONTROLLER PCB	1
	42	302FB26440	2FB26440	SPONGE HDD WIRE	1
	43	7ZGSSTG55050H01	ZG020570	SHIELD GASKET	1
⊙	44	302BG04560	2BG04560	COVER SCREW	1
	45	302FB26470	2FB26470	COVER MAIN WIRE	1
	46	7YZM610003++H01	YZ010250	ACCESS SADDLE	2
	47	7ZGSTG810150H01	ZG021640	SHIELD GASKET	3
	48	302FB09810	2FB09810	GROUND PLATE DU REAR	1
	49	302FB09500	2FB09500	GROUND PLATE FEED MOTOR	3

SP	Ref. No.	Part.No.	Alternative.	Description	120
	50	302FB26410	2FB26410	EARTH S-BOX C	1
	51	302FB26480	2FB26480	SHIELD SCANNER WIRE	1
	52	302FB26490	2FB26490	COVER INTERFACE WIRE	1
	53	7ZGSTG101100H01	ZG022070	SHIELD GASKET	2
	54	302FB27270	2FB27270	SHEET GM05	1
	55	302FB26540	2FB26540	FILM S-BOX C	1
	56	302FB26530	2FB26530	MOUNT S-BOX C	1
	101	B1A54080		+BIND TAP-TITE S SCREW M4X08	
	102	5MBTPB3006TW++R	B1A53060	BIND T.T SCREW(+)/ M3 X 6 CRFREE S-T	
	103	5MBTPB3010TW++R	B1A53100	BIND T.T SCREW(+)/ M3 X 10 CRFREE S-T	
	104	B9A90010		+PAN SCREW 6-32X0.25	
	105	5MBTPB3020TW++R	B1A53200	BIND T.T SCREW(+)/ M3 X 20 CRFREE S-T	

- Parts with "*" are component parts or sub-assemblies of the assembly appearing immediately above them.
- Parts with "⊙" indicates the spare parts.

- Parts with "*." are component parts or sub-assembly with "*" appearing immediately above them.

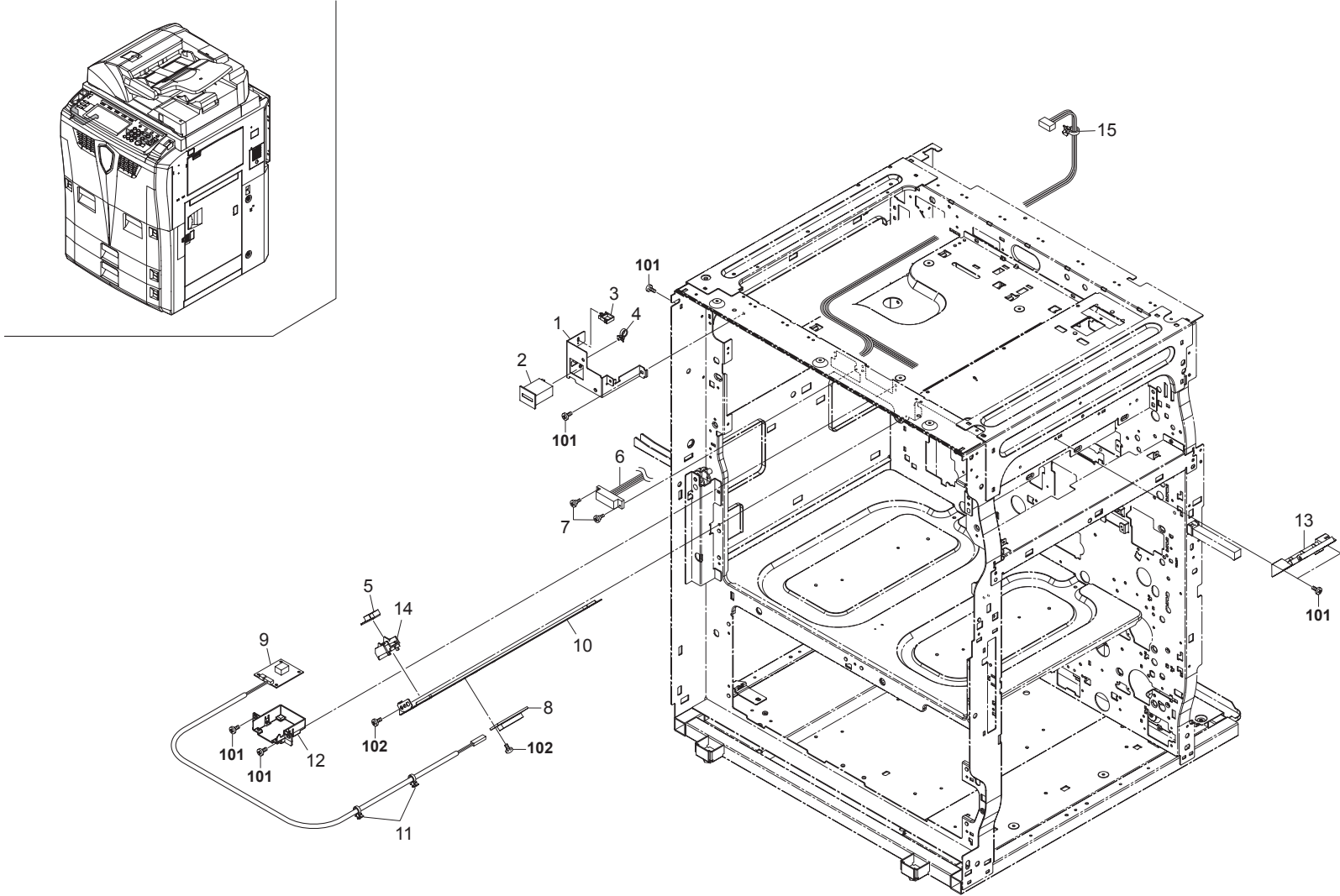


FIG. 32 Electrical Components III

2FB/2FC-3

SP	Ref. No.	Part.No.	Alternative.	Description	120
	1	2FB26030		MOUNT SAFETY SWITCH	1
⊙	2	2FB27210		SWITCH FRONT COVER	1
	3	M21AK030		WIRE SADDLE,RLWS-3T V0(KITAGAWA)	1
	4	M2107250		BAND,RSG-100(KITAGAWA)	1
⊙	5	2FB27060		SENSOR HUMIDITY	1
	6	302FB27351	2FB27351	WIRE ENGINE PWB	1
	7	2FB08460		PIN CONNECTOR	2
	8	2BC10070		MOUNT BASE,POTENTIAL SENSOR	1
⊙	9	302FB25090	2FB25090	SENSOR SURFACE POTENTIAL	1
	10	302FB08540	2FB08540	MOUNT POTENTIAL SENSOR	1
	11	M2107240		BAND,KI-100(KITAGAWA)	2
	12	2FB08410		COVER SENSOR SP	1
⊙	13	2FB01150		TONER SENSOR ASS'Y	1
	14	302FB10340	2FB10340	HOLDER HUMIDITY SENSOR	1
	15	M2107240		BAND,KI-100(KITAGAWA)	1

SP	Ref. No.	Part.No.	Alternative.	Description	120
	101	B1A54080		+BIND TAP-TITE S SCREW M4X08	
	102	5MBTPB3006TW++R	B1A53060	BIND T.T SCREW(+)/ M3 X 6 CRFREE S-T	

- Parts with "•" are component parts or sub-assemblies of the assembly appearing immediately above them.
- Parts with "⊙" indicates the spare parts.

- Parts with "••" are component parts or sub-assembly with "•" appearing immediately above them.

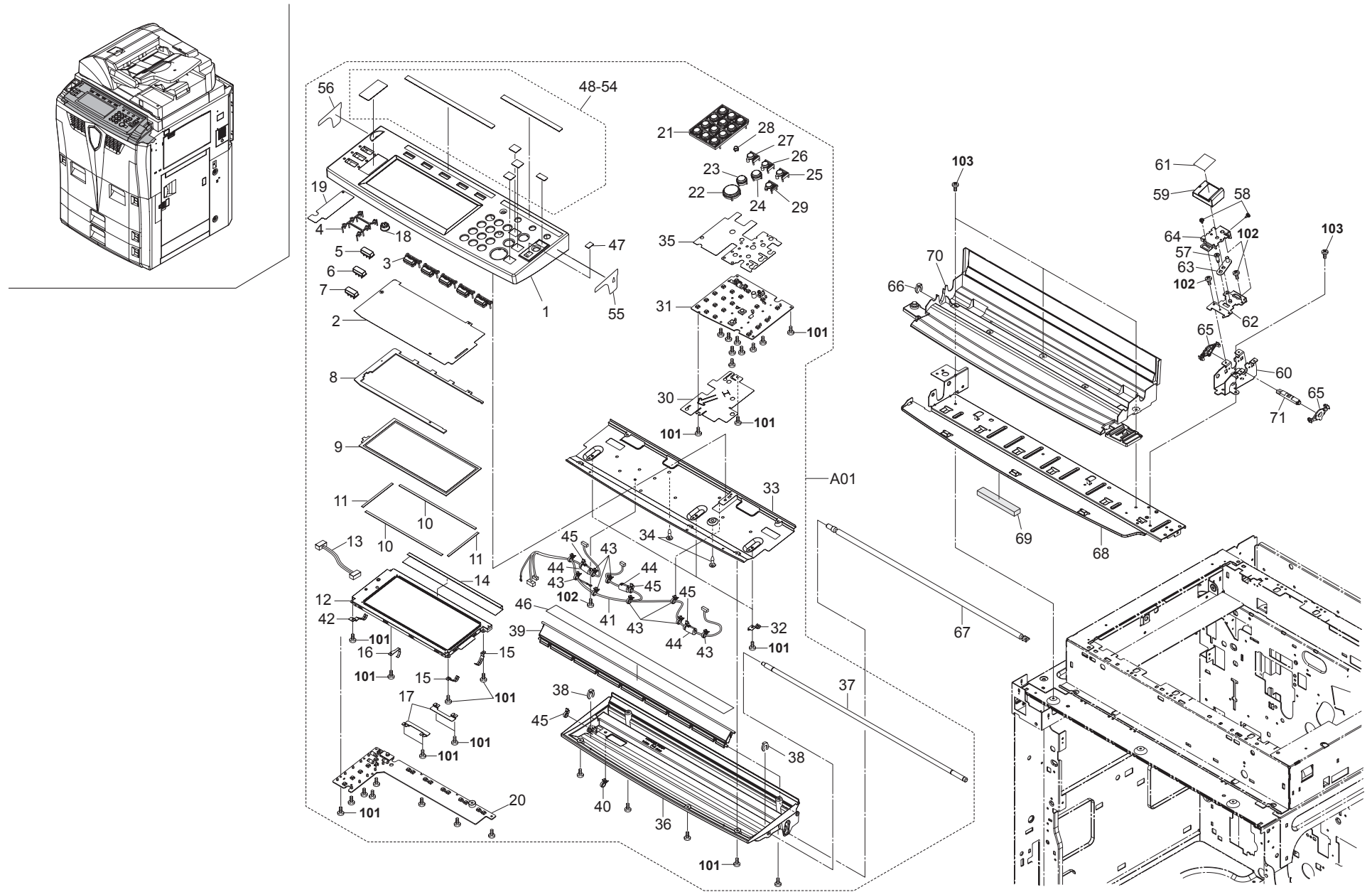


FIG. 33 Operation Unit

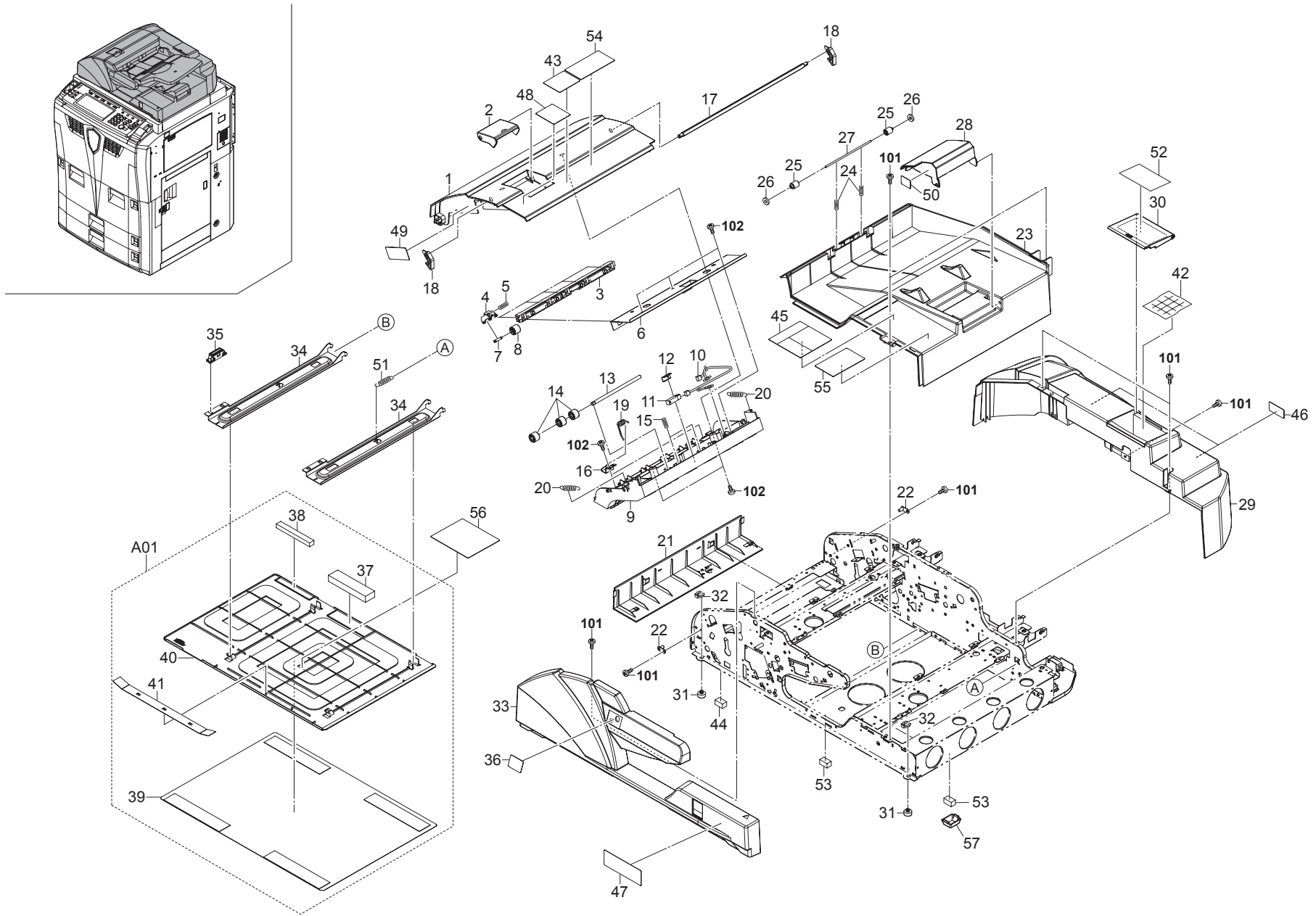
2FB/2FC-3

SP	Ref. No.	Part.No.	Alternative.	Description	120
⊙	A01	302FB93183	2FB93183	PARTS,OPERATION UNIT	1
⊙	1	*302FB24011	2FB24011	COVER OPERATION E	1
⊙	2	*302FB24850	2FB24850	SHEET TABLET	1
⊙	3	*2FB24150		KEY FUNCTION J	5
⊙	4	*302FB24160	2FB24160	LENS LED	1
⊙	5	*302FB24210	2FB24210	LEFT KEY COPIER	1
⊙	6	*302FB24220	2FB24220	LEFT KEY PRINTER	1
⊙	7	*302FB24230	2FB24230	LEFT KEY SCANNER	1
⊙	8	*2BJ25240		BARRIER TABLET	1
⊙	9	*302FB25190	2FB25190	TABLET OPERATION	1
⊙	10	*2BJ25270		SPONGE LCD A	2
⊙	11	*2BJ25280		SPONGE LCD B	2
⊙	12	*2FB28190		LCD PWB	1
⊙	13	*302FB28750	2FB28750	WIRE LCD	1
⊙	14	*302FB24860	2FB24860	SHEET LCD	1
⊙	15	*2BJ04220		GROUND PLATE LCD A	2
⊙	16	*2BJ04230		GROUND PLATE LCD B	1
⊙	17	*302FB24250	2FB24250	RETAINER LCD	2
⊙	18	*302FB24470	2FB24470	KEY VOLUME	1
⊙	19	*2BJ25210		LEFT DUST SHIELD	1
⊙	20	*302FB01220	2FB01220	OPERATION UNIT PCB ASS'Y A	1
⊙	21	*2BJ25020		KEY OPERATION 10	1
⊙	22	*302FB24200	2FB24200	KEY PRINT	1
⊙	23	*2BJ25040		KEY STOP	1
⊙	24	*2BJ25050		KEY RESET	1
⊙	25	*2BJ25060		KEY SAVER	1
⊙	26	*2BJ25070		KEY INTERRUPT	1
⊙	27	*2BJ25080		KEY CONTROL	1
⊙	28	*2BJ25090		KEY INIT	1
⊙	29	*2FB24060		KEY POWER SUPPLY	1
⊙	30	*302FB24450	2FB24450	SHEET OPE PCB	1
⊙	31	*302FG01111	2FG01111	OPE PCB ASS'Y B(BA)	1
⊙	32	*302FB24460	2FB24460	PLATE EARTH OPE SHIELD	3
⊙	33	*302FB24240	2FB24240	SHIELD BASE OPE	1
⊙	34	*M2108870		SPACER,KGPS-10RF(KITAGAWA)	2
⊙	35	*2BJ25230		RIGHT DUST SHIELD	1
⊙	36	*302FB24170	2FB24170	COVER BASE OPERATION	1
⊙	37	*302FB24180	2FB24180	SHAFT OPERATION	1
⊙	38	*2BC06910		STOPPER 6	2
⊙	39	*302FB04780	2FB04780	REAR SHEILD OPE	1
⊙	40	*M21AH010		BAND,RSG-130-V0(KITAGAWA)	1
⊙	41	*302FB27970	2FB27970	WIRE OPERATION JUNCTION	1
⊙	42	*2BJ04240		GROUND PLATE LCD C	1
⊙	43	*M2107250		BAND,RSG-100(KITAGAWA)	8
⊙	44	*65027470		CORE,7-15X18	3
⊙	45	*M2107240		BAND,KI-100(KITAGAWA)	4
⊙	46	*302FB24880	2FB24880	SHEET OPERATION REAR	1
⊙	47	*302FB24290	2FB24290	LABEL MAIN POWER E	1
⊙	48	*302FB68040	2FB68040	LABEL OPE SET E	1
⊙	49	*302FB68050	2FB68050	LABEL OPE SET J	1

SP	Ref. No.	Part.No.	Alternative.	Description	120
⊙	50	*302FB24410	2FB24410	LABEL OPE SET ITA	1
⊙	51	*302FB24420	2FB24420	LABEL OPE SET DEU	1
⊙	52	*302FB24430	2FB24430	LABEL OPE SET ESP	1
⊙	53	*302FB24440	2FB24440	LABEL OPE SET FRA	1
⊙	54	*302FB68381	2FB68381	LABEL OPE SET CHN	1
⊙	55	*302FB24990	2FB24990	FILM OPERATION SIDE R	1
⊙	56	*302FB24980	2FB24980	FILM OPERATION SIDE L	1
⊙	57	2FB12290		PIN SCANNER RETAINING	1
⊙	58	2FB21610		PIN FEED SHIFT	2
⊙	59	302FB04440	2FB04440	LEVER OPE MOVE	1
⊙	60	302FB04750	2FB04750	RIGHT RLATE OPE	1
⊙	61	302FB05240	2FB05240	LABEL OPE LEVER	1
⊙	62	302FB24800	2FB24800	PLATE FULCRUM OPE	1
⊙	63	302FB24810	2FB24810	PLATE FULCRUM OPE MOVE	1
⊙	64	302FB24820	2FB24820	PLATE FULCRUM OPE LEVER	1
⊙	65	302FB24830	2FB24830	BUSH 10 D8	2
⊙	66	2BC06910		STOPPER 6	1
⊙	67	302FB24840	2FB24840	SHAFT OPE MOVE A	1
⊙	68	2FB04360		MOUNT BASE OPERATION	1
⊙	69	302FB23440	2FB23440	SPONGE LSU DUCT	1
⊙	70	2FB04350		COVER BASE OPERATION	1
⊙	71	302FB04500	2FB04500	SHAFT OPE MOVE	1
⊙	101	5MBTPB3008PW++R	B1A63080	BIND T.T SCREW(+)/ M3 X 8 CRFREE P-T	
⊙	102	5MBTPB3006TW++R	B1A53060	BIND T.T SCREW(+)/ M3 X 6 CRFREE S-T	
⊙	103	B1A54080		+BIND TAP-TITE S SCREW M4X08	

- Parts with "*" are component parts or sub-assemblies of the assembly appearing immediately above them.
- Parts with "⊙" indicates the spare parts.

- Parts with "••" are component parts or sub-assembly with "•" appearing immediately above them.



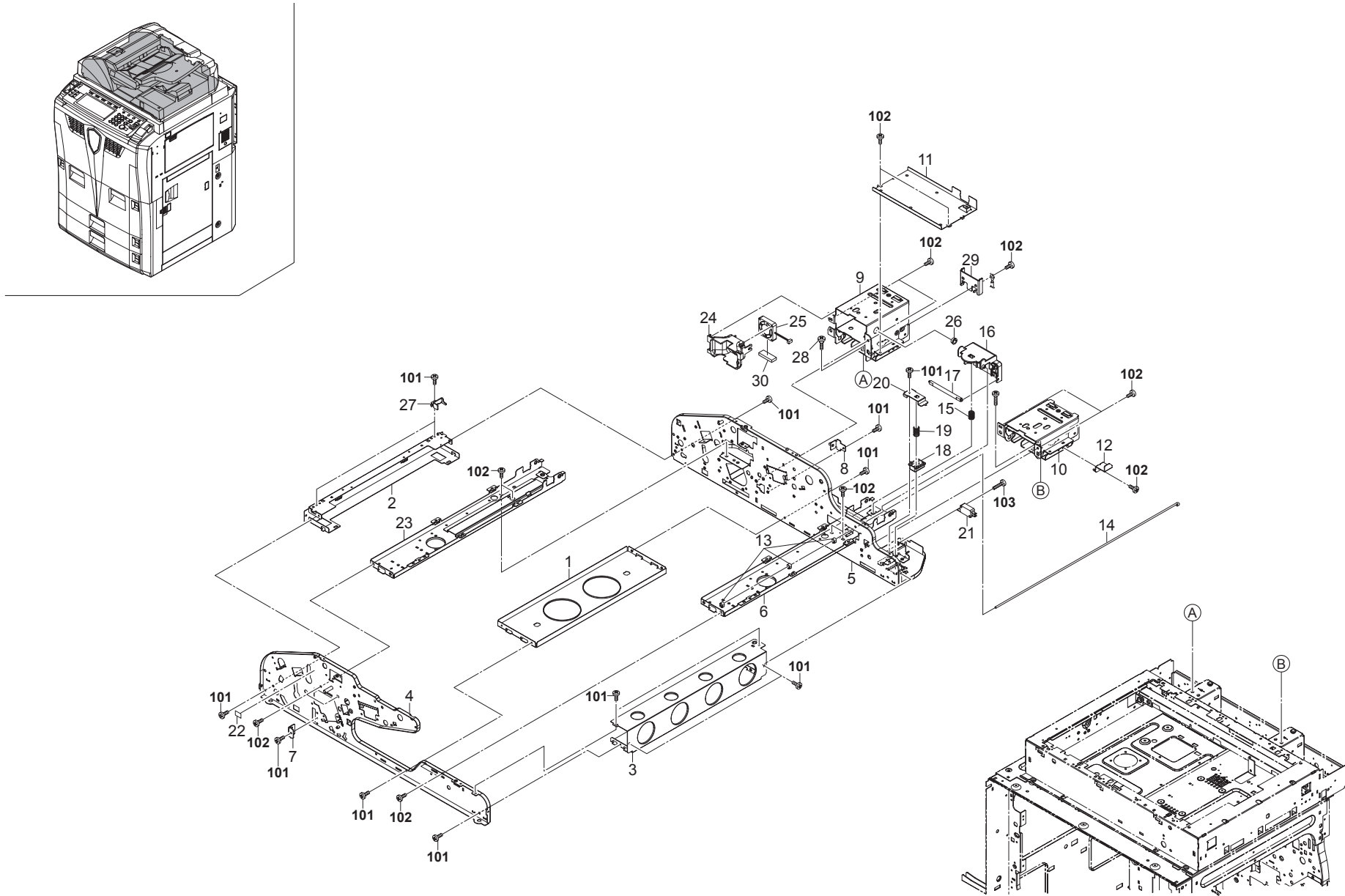


FIG. 35 Frames (DP)

2FB/2FC-3

SP	Ref. No.	Part.No.	Alternative.	Description	120
	1	3H602030		LOWER STAY	1
	2	3H602590		LEFT STAY FRAME	1
	3	303H602541	3H602541	RIGHT STAY	1
	4	303H600022	3H600022	FRONT FRAME ASS'Y	1
	5	303H600031	3H600031	REAR FRAME ASS'Y	1
	6	303H602041	3H602041	LEFT STAY	1
	7	3H610250		FRONT GUIDE D FRAME	1
	8	3H610220		FULCRUM PLATE D RACK	1
⊙	9	3H603010		HINGE L	1
⊙	10	303H603021	3H603021	HINGE R	1
	11	3H602140		MOUNT MAIN PCB	1
	12	3H602100		PLATE PUSH SW	1
	13	3H602320		SPACER SHAFT	3
	14	303H602201	3H602201	SHAFT LEVER ADJUST	1
	15	63722190		SPRING,SWITCHING LEVER	1
	16	303H602301	3H602301	ADJUST PLATE HINGE	1
	17	3H602260		SHAFT ADJUST PLATE B	1
	18	3H602330		STOPPER ORIGINAL SW	1
	19	3H602310		SPRING PUSH SW	1
	20	3H602090		HOLDER SPRING	1
⊙	21	2FB27160		INTER LOCK SWITCH	1
⊙	22	33405050		LABEL,HIGH VOLTAGE CAUTION(JPN)	1
	23	303H602350	3H602350	LEFT STAY ASSY	1
	24	303H602380	3H602380	DUCT CIS	1
⊙	25	3H627280		FAN DP	1
	26	7YZM110001++H01	YZ009420	ACCESS.BUSHING	1
	27	303H602420	3H602420	REINFORCEMENT LEFT STAY	2
	28	3H602280		PIN HINGEBASE	1
	29	3H603030		STOPPER HINGE	1
⊙	30	303H602450	3H602450	VIBRATION INSULATOR,FAN	1

SP	Ref. No.	Part.No.	Alternative.	Description	120
	101	5MBTPB3006TW++R	B1A53060	BIND T.T SCREW(+)/ M3 X 6 CRFREE S-T	
	102	B1A54080		+BIND TAP-TITE S SCREW M4X08	
	103	5MBTPB3014TW++R	B1A53140	BIND T.T SCREW(+)/ M3 X 14 CRFREE S-T	

- Parts with "*" are component parts or sub-assemblies of the assembly appearing immediately above them.
- Parts with "⊙" indicates the spare parts.

- Parts with ".•" are component parts or sub-assembly with ".•" appearing immediately above them.

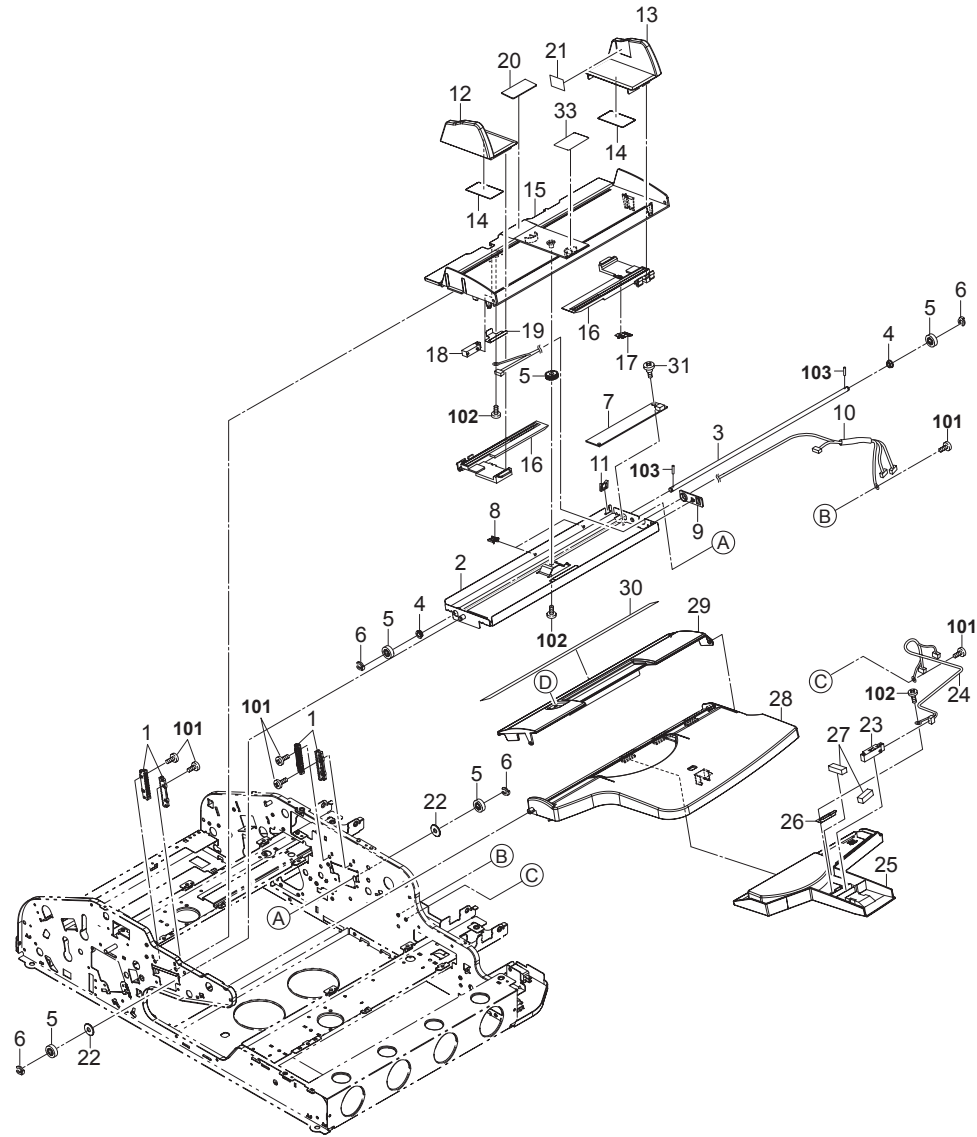
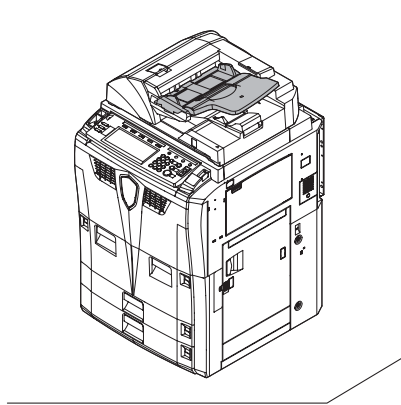


FIG. 36 Paper Feed-in (DP)

2FB/2FC-3

SP	Ref. No.	Part.No.	Alternative.	Description	120
⊙	1	303H606091	3H606091	RACK LIFT	4
	2	3H606050		COVER CURSOR	1
	3	3H606040		SHAFT TABLE	1
	4	2A116180		BUSHING,TRANSFER	2
⊙	5	3H622320		GEAR 20 LIFT	5
⊙	6	5MVX111DN003	2A806250	RING STOPPER /A-49 FEED A4	4
⊙	7	2C901050		PCB MPF SIZE ASSY	1
	8	M70AK010		WIRE SADDLE,RMS-1V0(TAKEUCHI)	2
	9	3H606160		GUIDE LIFT WIRE	1
	10	3H627140		WIRE,ORG W SIZE	1
	11	M2104260		EDGING,EDS-0607U(KITAGAWA)	1
⊙	12	3H606020		FRONT CURSOR	1
⊙	13	3H606030		REAR CURSOR	1
⊙	14	33906400		FRICTION PLATE,BYPASS	2
⊙	15	3H606010		TABLE LIFT	1
	16	3HL06050		RACK TABLE	2
⊙	17	3HL06110		TERMINAL PAPER SIZE	1
⊙	18	3H327410		SENSOR,CONVEYING	1
	19	3H606130		PLATE ORIGINAL SW	1
⊙	20	3A707290		PAD,LIFT	1
⊙	21	303H605010	3H605010	LABEL ORIGINAL MAX	1
	22	75714210		COLLAR DEVELOPING UNIT	2
⊙	23	3H627240		SENSOR ORIGINAL	1
	24	3H627120		JUNCTION WIRING,TABLE	1
⊙	25	303H606190	3H606190	COVER ORIGINAL TABLE	1
	26	3H606120		PLATE SIZE SW	1
⊙	27	2BL14480		SEAL WIRE	2
⊙	28	3H606100		TABLE ORIGINAL	1
⊙	29	3H606060		JOINT TABLE	1
⊙	30	303H605200	3H605200	LABEL SIZE DIRECTIONS	1
	31	2FB20860		PIN FUSER COVER	1
⊙	32	303H606180	3H606180	COVER JOINT	1
⊙	33	303H605110	3H605110	LABEL MSP A	1

SP	Ref. No.	Part.No.	Alternative.	Description	120
	101	5MBTPB3006TW++R	B1A53060	BIND T.T SCREW(+)/ M3 X 6 CRFREE S-T	
	102	5MBTPB3008PW++R	B1A63080	BIND T.T SCREW(+)/ M3 X 8 CRFREE P-T	
	103	E0020080	48100208	SPRING PIN 2X8	

- Parts with "*" are component parts or sub-assemblies of the assembly appearing immediately above them.
- Parts with "⊙" indicates the spare parts.

- Parts with "••" are component parts or sub-assembly with "•" appearing immediately above them.

FIG. 37 Paper Conveying (DP)

2FB/2FC-3

SP	Ref. No.	Part.No.	Alternative.	Description	120
	1	3H608100		MOUNT C PULLEY	1
	2	3H608090		HOLDER C PULLEY	5
	3	3H608230		SPRING C PULLEY	5
	4	3H608130		MOUNT LEFT PULLEY	1
⊙	5	3H608150		SHAFT C PULLEY	5
⊙	6	3H608200		PULLEY CONVEYING	5
	7	3H608140		MOUNT TIMING SWITCH	1
⊙	8	2FG27110		SWITCH REGISTRATION	2
⊙	9	3H608120		LEFT GUIDE CONVEYING	1
	10	3H627100		WIRE,TMG A	1
⊙	11	303H608270	3H608270	SHEET CONVEYING	5
	12	M1203200	49481317	OPEN BUSHING,OCB-375	1
	13	7YZM110001++H01	YZ009420	ACCESS.BUSHING	2
⊙	14	3H602110		GUIDE READING	1
	15	3H602120		HOLDER GUIDE READING	2
	16	3H602230		SPRING READING	2
⊙	17	3H602290		GROUND PLATE READING	2
	18	3H610100		LEFT GUIDE CIS	1
	19	3H627020		JUNCTION WIRING,MOT B	1
⊙	20	303H608280	3H608280	SHEET READING	2
	21	3H610290		MOUNT D SWITCH	1
⊙	22	2C927210		SENSOR 248NL1	1
	23	3H610110		LEFT STAY CIS	1
	24	M70AK010		WIRE SADDLE,RMS-1V0(TAKEUCHI)	4
	25	3H627110		WIRE,TMG B	1
⊙	26	3H600010		ROLLER CONVEYING ASS'Y	1
⊙	27	60912270		BEARING,688ZZ	4
⊙	28	3H622230		PULLEY C ROLLER 48	1
⊙	29	3H622070		PULLEY C ROLLER 99	1
⊙	30	3H608010		ROLLER REGISTRATION	1
⊙	31	2BC06910		STOPPER 6	1
⊙	32	3H622060		PULLEY R ROLLER 32	1
	33	3H622210		MOUNT JAM DIAL	1
⊙	34	3H622120		TIMING BELT C IDLE 376	1
⊙	35	3H622220		DIAL JAM REMOVALMENT	1
⊙	36	5MVX111DN003	2A806250	RING STOPPER /A-49 FEED A4	1
⊙	37	3H622080		PULLEY C IDLE 16/24	1
⊙	38	3H622130		TIMING BELT E ROLLOR 174	1
	39	3H622050		MOUNT C IDLE	1
	40	3H622250		TENSION PLATE C IDLE	1
	41	3H622240		TENSION PLATE E IDLE	1
⊙	42	303H622360	3H622360	PULLEY TENSION	1
	43	3H622270		SPRING C MOTOR	2
	44	3HL07240		SPRING HOOK	1
	45	M2104260		EDGING,EDS-0607U(KITAGAWA)	2
⊙	46	3H622100		TIMING BELT R MOTOR 102	1
⊙	47	3H627220		MOTOR DP	2
	48	3H622030		MOUNT C MOTOR	1
⊙	49	3H622110		TIMING BELT C MOTOR 244	1
	50	3H622040		ADJUST PLATE C MOTOR	1

SP	Ref. No.	Part.No.	Alternative.	Description	120
	51	3H608050		GUIDE REGISTRATION	1
⊙	52	3H610240		FELT DUPLEX	1
⊙	53	66015270		PULLEY 10,TONER RECYCLE	1
⊙	54	303H608300	3H608300	SHEET READING B	2
⊙	55	303H608310	3H608310	SHEET REGIST LOOP	1
	101	5MBTPB3006TW++R	B1A53060	BIND T.T SCREW(+)/ M3 X 6 CRFREE S-T	
	102	B0A23080		+ROUND HEAD SCREW WITH SW.W M3X8(TRIVALE	

- Parts with "*" are component parts or sub-assemblies of the assembly appearing immediately above them.
- Parts with "⊙" indicates the spare parts.

- Parts with "••" are component parts or sub-assembly with "•" appearing immediately above them.

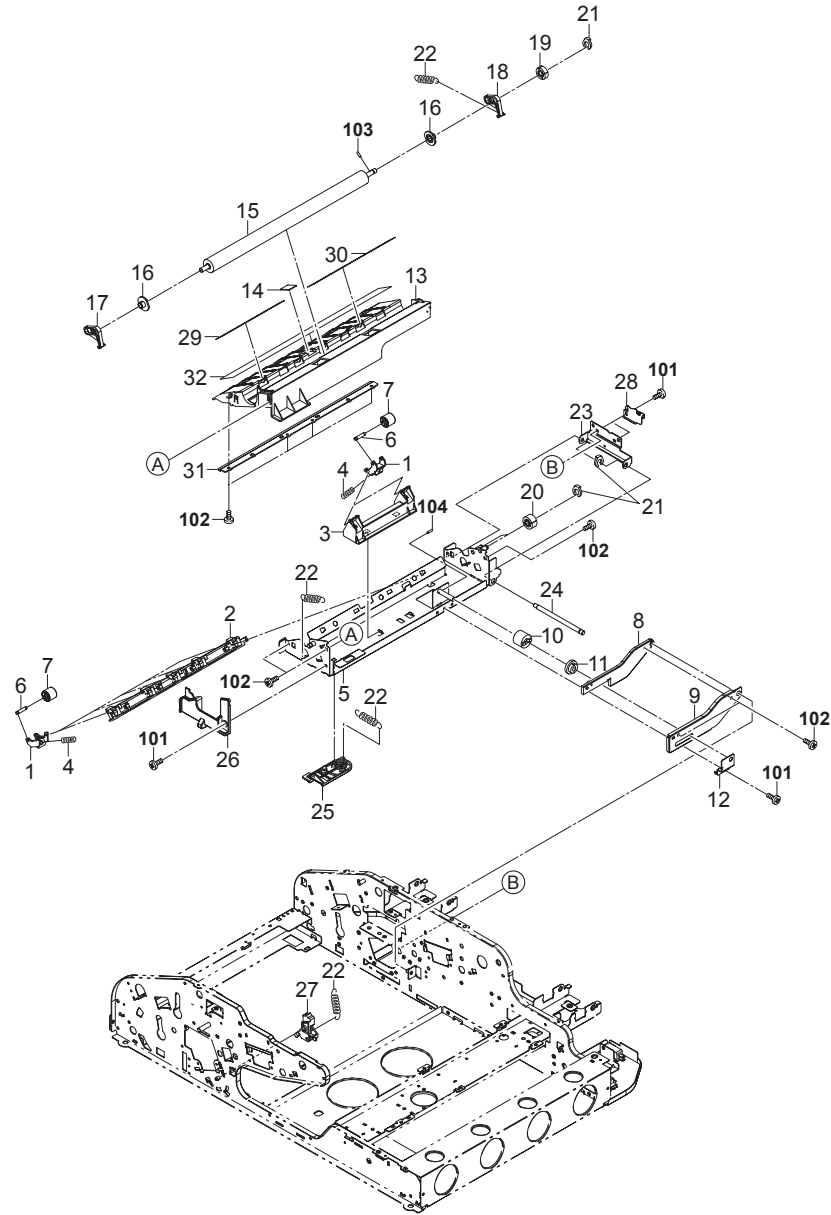
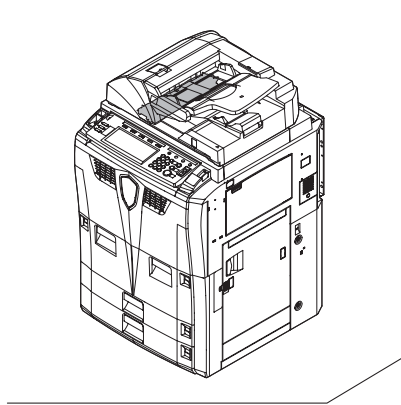


FIG. 38 Duplex Section (DP)

2FB/2FC-2.0

SP	Ref. No.	Part.No.	Alternative.	Description	120
	1	3H608090		HOLDER C PULLEY	7
	2	3H610050		MOUNT DUPLEX PULLEY	1
	3	3H608100		MOUNT C PULLEY	1
	4	3H608230		SPRING C PULLEY	7
	5	3H610030		FRAME DUPLEX	1
⊙	6	3H608150		SHAFT C PULLEY	7
⊙	7	3H608200		PULLEY CONVEYING	7
	8	3H610210		RACK DUPLEX UNIT	1
	9	3H610230		REINFORCEMENT D RACK	1
⊙	10	3H610280		TORQUE LIMITER DUPLEX	1
	11	3H622260		GEAR DUPLEX UNIT	1
	12	3H610190		MOUNT D RACK	1
	13	3H610040		GUIDE DUPLEX	1
⊙	14	3H610240		FELT DUPLEX	1
⊙	15	3H610020		ROLLER CIS	1
⊙	16	3H610150		BUSH CIS ROLLER	2
	17	3H610080		FRONT HOOK CIS ROLLER	1
	18	3H610090		REAR HOOK CIS ROLLER	1
⊙	19	3H622020		GEAR CIS ROLLER 20	1
⊙	20	3H622010		GEAR CIS IDLE 21	2
⊙	21	5MVX111DN003	2A806250	RING STOPPER /A-49 FEED A4	4
	22	3HL07240		SPRING HOOK	4
	23	3H610060		MOUNT DUPLEX UNIT	1
	24	3H610070		FULCRUM SHAFT D UNIT	1
	25	3H602080		LOWER FRONT LEVER	1
	26	3H610270		COVER D UNIT	1
	27	3H610180		STOPPER D UNIT	1
	28	303H610370	3H610370	GROUND PLATE CIS ROLLER	1
⊙	29	303H610340	3H610340	FRONT SHEET DUPLEX	1
⊙	30	303H610350	3H610350	REAR SHEET DUPLEX	1
	31	303H610360	3H610360	REINFORCEMENT DUPLEX	1
⊙	32	303H610380	3H610380	LOWER SHEET DUPLEX	1

SP	Ref. No.	Part.No.	Alternative.	Description	120
	101	5MBTPB3006TW++R	B1A53060	BIND T.T SCREW(+)/ M3 X 6 CRFREE S-T	
	102	5MBTPB3008PW++R	B1A63080	BIND T.T SCREW(+)/ M3 X 8 CRFREE P-T	
	103	5MBP2010WXSP	E0020100	SPRING PIN / M2 X 10 S-BLK	
	104	E5120080		SPRING PIN H7A 2X8 SUS	

- Parts with "*" are component parts or sub-assemblies of the assembly appearing immediately above them.
- Parts with "⊙" indicates the spare parts.

- Parts with "••" are component parts or sub-assembly with "•" appearing immediately above them.

FIG. 39 Paper Eject (DP)

2FB/2FC-3

SP	Ref. No.	Part.No.	Alternative.	Description	120
⊙	1	3H610160		GUIDE EJECT	1
⊙	2	303H610330	3H610330	STATIC ELIMINATOR EJECT	1
⊙	3	3H610300		COVER EJECT	1
⊙	4	3H610010		ROLLER EJECT	2
⊙	5	3H622020		GEAR CIS ROLLER 20	1
⊙	6	5MVL177DN001	2FB06810	RING STOPPER 4	1
⊙	7	2BC06520		BUSHING 6,REGISTRATION	6
⊙	8	303H622350	3H622350	PULLEY E ROLLER ASSY	2
⊙	9	5MVX111DN003	2A806250	RING STOPPER /A-49 FEED A4	8
⊙	10	3H606080		SHAFT LIFT	1
⊙	11	2BC06510		BUSHING 8	3
⊙	12	303H622181	3H622181	GEAR LIFT 55	1
⊙	13	3H606140		STOPPER LIFT LEVER	1
⊙	14	3H606070		LEVER LIFT	1
⊙	15	3H602180		MOUNT LEVER ADJUST	1
⊙	16	3H602240		PLATE SPRING LEVER	1
⊙	17	3H602190		HOOK LEVER ADJUST	1
⊙	18	3H604040		LEVER ADJUSTMENT	1
⊙	19	3H607170		LOWER GUIDE PF	1
⊙	20	3H607210		GUIDE LIFT	2
⊙	21	303H607141	3H607141	SHAFT SEPARATION	1
⊙	22	2FB06100		TORQUE LIMITER FEED	1
⊙	23	3H607120		PULLEY SEPARATION	1
⊙	24	2C922110		GEAR 32 DPX	1
⊙	25	3H607180		GUIDE SEPARATION	1
⊙	26	3H607080		COVER SEPARATION	1
⊙	27	M70AK010		WIRE SADDLE,RMS-1V0(TAKEUCHI)	1
⊙	28	3H607160		UPPER GUIDE PF	1
⊙	29	2FG27110		SWITCH REGISTRATION	1
⊙	30	2FB27160		INTER LOCK SWITCH	1
⊙	31	2C927210		SENSOR 248NL1	1
⊙	32	3H607050		HOLDER LF	1
⊙	33	303H607270	3H607270	WEIGHT LF PULLEY	1
⊙	34	3H607020		PULLEY LF	1
⊙	35	3H607100		SHAFT LF	1
⊙	36	3CY07080		BUSHING 6	2
⊙	37	68721640		PULLEY 20,DUPLEX CONVEYING	1
⊙	38	3H607060		HOLDER PF	1
⊙	39	3H607240		GUIDE PF SPRING	2
⊙	40	3H607150		SPRING PF	2
⊙	41	3H607090		SHAFT BELT	1
⊙	42	3H607040		COLLAR PF B	1
⊙	43	3H607010		BELT PF	1
⊙	44	3H607030		COLLAR PF A	1
⊙	45	3H607110		SHAFT PF	1
⊙	46	3H607130		BUSHING PF HOLDER	2
⊙	47	2BC21420		PULLEY 20,SWITCH BACK	1
⊙	48	5MVL177DN002	2FB06820	RING STOPPER 6	2
⊙	49	3H607190		BELT 170 LF	1
⊙	50	3H607070		LEVER PRESS	1

SP	Ref. No.	Part.No.	Alternative.	Description	120
⊙	51	3H607220		ROLLER TENSION	1
⊙	52	3H607200		COVER PF	1
⊙	53	3H610240		FELT DUPLEX	1
⊙	54	2BL14480		SEAL WIRE	3
⊙	55	303H607280	3H607280	PULLEY TENSION	1
⊙	56	303H607290	3H607290	REINFORCEMENT LF	1
⊙	57	303H607300	3H607300	FILM SEPARATION	1
	101	5MBTPB3006TW++R	B1A53060	BIND T.T SCREW(+)/ M3 X 6 CRFREE S-T	
	102	5MBTPB3008PW++R	B1A63080	BIND T.T SCREW(+)/ M3 X 8 CRFREE P-T	
	103	5MBTPB3020TW++R	B1A53200	BIND T.T SCREW(+)/ M3 X 20 CRFREE S-T	
	104	E0020080	48100208	SPRING PIN 2X8	
	105	5MBP2010WXSP	E0020100	SPRING PIN / M2 X 10 S-BLK	

- Parts with "*" are component parts or sub-assemblies of the assembly appearing immediately above them.
- Parts with "⊙" indicates the spare parts.

- Parts with "••" are component parts or sub-assembly with "•" appearing immediately above them.

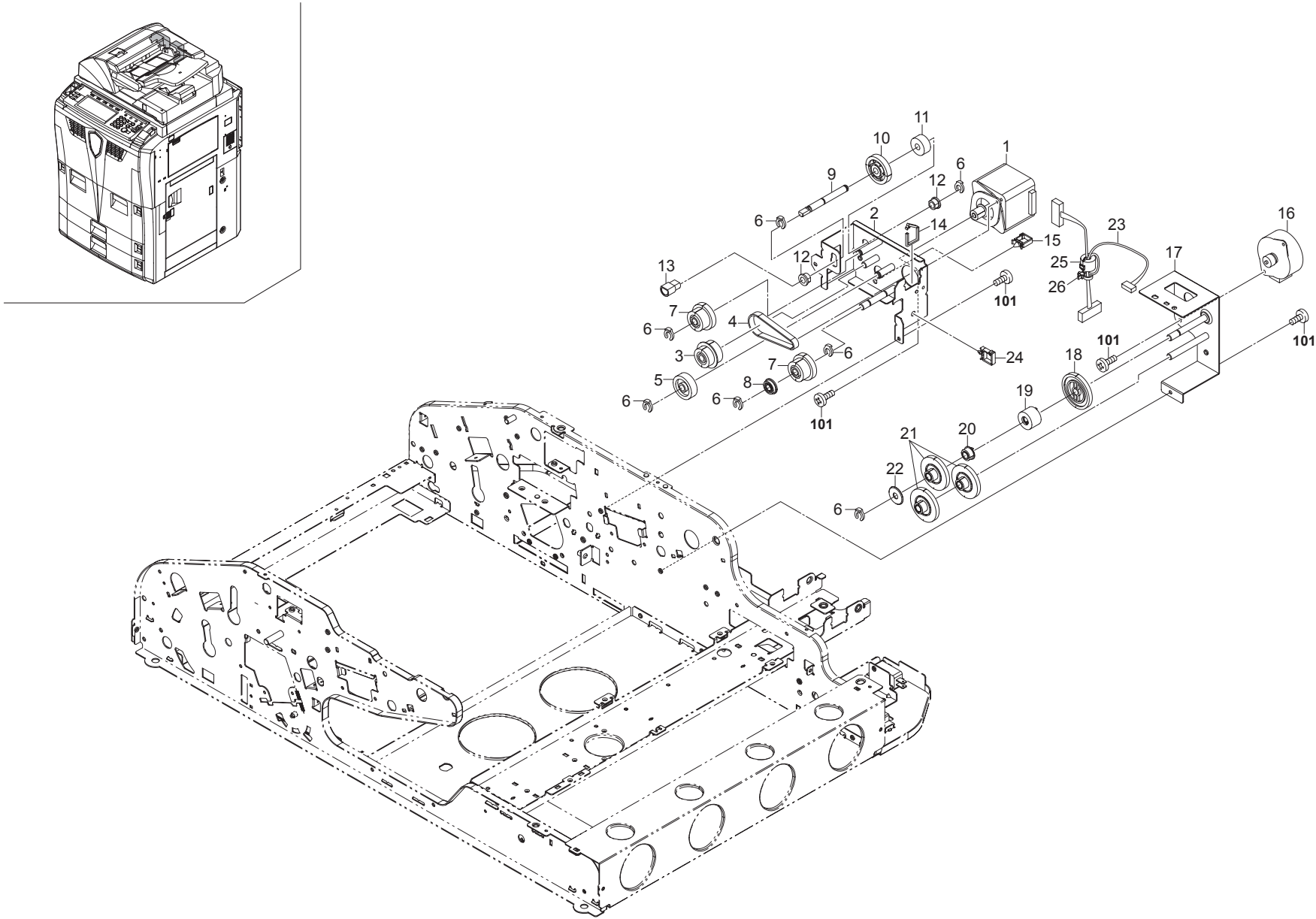


FIG. 40 Driving Unit (DP)

2FB/2FC-3

SP	Ref. No.	Part.No.	Alternative.	Description	120
⊙	1	3H627220		MOTOR DP	1
	2	3H622150		MNT PF DRIVE	1
⊙	3	3H622190		GEAR Z22 P35	1
⊙	4	3H607260		BELT 138 FEED	1
⊙	5	3H622340		GEAR 28	1
⊙	6	5MVX111DN003	2A806250	RING STOPPER /A-49 FEED A4	7
⊙	7	2C922070		GEAR 30/23	2
	8	3H622310		COLLAR PF DRIVE	1
	9	3H622200		SHAFT PF DRIVE	1
⊙	10	3HK22040		GR 33 CONV	1
⊙	11	35911790		GEAR 20,PAPER FEED PULLEY	1
⊙	12	2BC06520		BUSHING 6,REGISTRATION	2
	13	3H622300		JOINT PF DRIVE	1
	14	M2104250		EDGING,EDS-17L(KITAGAWA)	1
	15	7YZM610001++H01	YZ010230	ACCESS SADDLE	1
⊙	16	3H627230		MOTOR LIFT	1
	17	3H622140		MNT LIFT DRIVE	1
⊙	18	3H622170		GEAR 69 JOINT	1
⊙	19	3H622290		TORQUE LIMITER 300	1
⊙	20	3H622160		GEAR 20 JOINT	1
⊙	21	303H622331	3H622331	GEAR 20/65 IDLE	3
	22	75714210		COLLAR DEVELOPING UNIT	1
	23	3H627010		JUNCTION WIRING,MOT A	1
	24	7YZM610002++H01	YZ010240	ACCESS SADDLE	1
	25	3HK27050		CORE 8-16X10	1
	26	M2107240		BAND,KI-100(KITAGAWA)	1

SP	Ref. No.	Part.No.	Alternative.	Description	120
	101	5MBTPB3006TW++R	B1A53060	BIND T.T SCREW(+)/ M3 X 6 CRFREE S-T	

- Parts with "*" are component parts or sub-assemblies of the assembly appearing immediately above them.
- Parts with "⊙" indicates the spare parts.

- Parts with "*•" are component parts or sub-assembly with "*" appearing immediately above them.

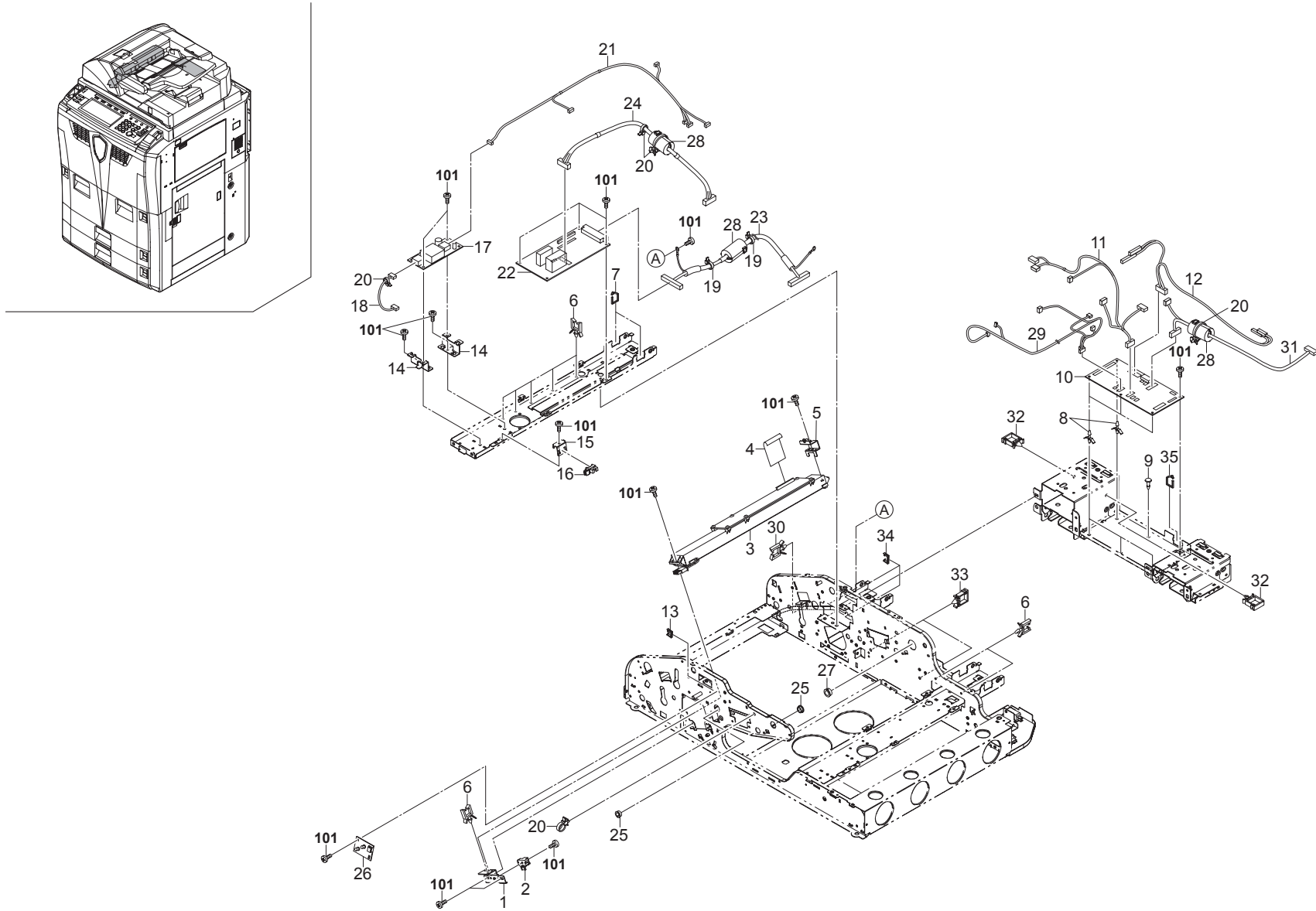


FIG. 41 Electrical Components (DP)

2FB/2FC-3

SP	Ref. No.	Part.No.	Alternative.	Description	120
	1	3H610130		FRONT MOUNT CIS	1
	2	3H610170		GUIDE CIS ROLLER	1
⊙	3	3H627210		SENSOR A3 CIS	1
⊙	4	3H627190		FFC CIS	1
	5	3H610140		REAR MOUNT CIS	1
	6	M70AK010		WIRE SADDLE,RMS-1V0(TAKEUCHI)	8
	7	M2104250		EDGING,EDS-17L(KITAGAWA)	2
	8	M2108000	49628603	SPACER,KGLS-3S	4
	9	M2108080	49628604	SPACER,KGPS-3S	1
⊙	10	303H601012	3H601012	MAIN PCB ASSY	1
	11	3H627070		JUNCTION WIRING,CONVEYING	1
	12	3H627150		WIRE,INTERLOCK	1
	13	M2104260		EDGING,EDS-0607U(KITAGAWA)	1
	14	3H602270		MOUNT CIS INV PCB	2
	15	3H606150		MNT LIFT SW	1
⊙	16	2C927210		SENSOR 248NL1	1
⊙	17	3H628040		INVERTER PCB	1
	18	3H627260		WIRE,INVERTER	1
	19	M2107240		BAND,KI-100(KITAGAWA)	2
	20	M21AH010		BAND,RSG-130-V0(KITAGAWA)	5
	21	3H627250		WIRE,CIS LAMP REMORT	1
⊙	22	3H601020		SHD PCB ASSY	1
	23	3H627200		WIRE,CIS DATA	1
	24	3H627180		WIRE,CIS JUNCTION PCB IF	1
⊙	25	7YZM110001++H01	YZ009420	ACCESS.BUSHING	2
	26	3H601030		LED PCB ASS'Y	1
	27	7YZM110002++H01	YZ010100	ACCESS.BUSHING	1
	28	65027480		CORE,9-20X32	3
	29	3H627040		JUNCTION WIRING,ORG. SET	1
	30	M21AK010		WIRE SADDLE,RLWS-1T V0(KITAGAWA)	1
	31	3H627170		WIRE,SCANNER IF	1
	32	7YZM610001++H01	YZ010230	ACCESS SADDLE	2
	33	7YZM610002++H01	YZ010240	ACCESS SADDLE	2
	34	7YZM210001++H01	YZ004370	ACCESS.EDGING	2
	35	7YZM210002++H01	YZ004730	ACCESS.EDGING	1

SP	Ref. No.	Part.No.	Alternative.	Description	120
	101	5MBTPB3006TW++R	B1A53060	BIND T.T SCREW(+)/ M3 X 6 CRFREE S-T	

- Parts with "*" are component parts or sub-assemblies of the assembly appearing immediately above them.
- Parts with "⊙" indicates the spare parts.

- Parts with "*•" are component parts or sub-assembly with "*" appearing immediately above them.

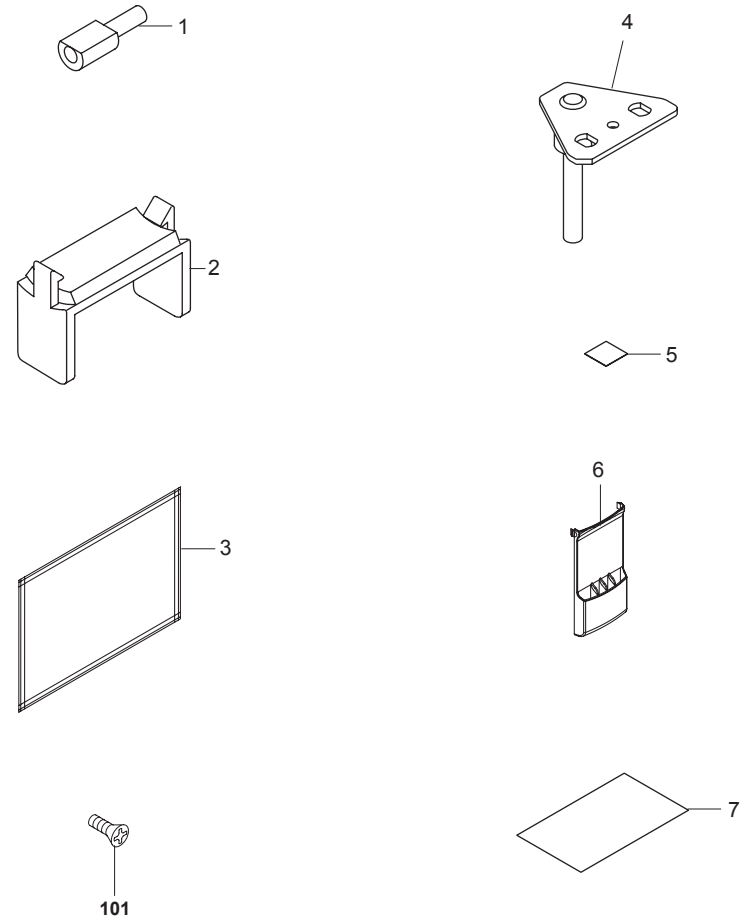


FIG. 42 Accessories & Tools

2FB/2FC-3

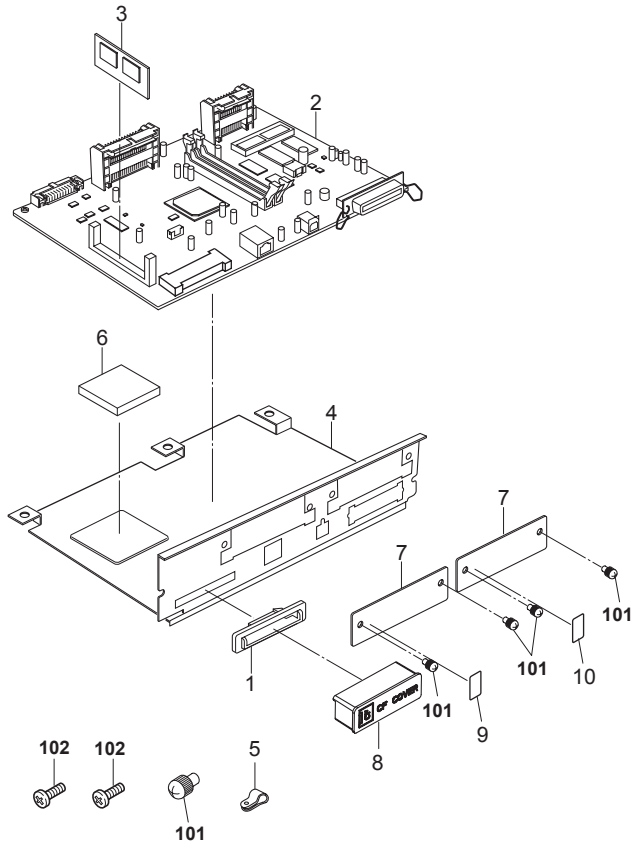
SP	Ref. No.	Part.No.	Alternative.	Description	120
	1	18568120		PIN B,POSITIONING	2
	2	35968110		STOPPER WIRE ASSY SP	2
	3	2A068021		SHEET,DF ADJUSTMENT	1
⊙	4	302FB68290	2FB68290	SPECIAL TOOL FRAME RETAINING	2
⊙	5	302FB05210	2FB05210	PLATE SIZE IN	4
	6	302FB04970	2FB04970	GUIDE CASE	1
⊙	7	302FB05440	2FB05440	LABEL VFEED CAUTION 6NATIONS	1

SP	Ref. No.	Part.No.	Alternative.	Description	120
	101	B2B63080		+CONTER-SUNK HEAD TAP-TITE P M3X08(TRI	

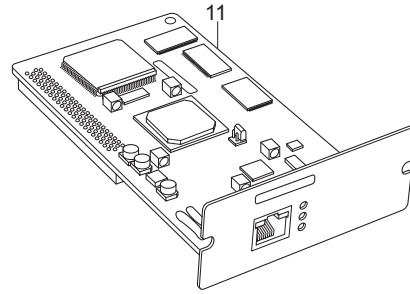
- Parts with "*" are component parts or sub-assemblies of the assembly appearing immediately above them.
- Parts with "⊙" indicates the spare parts.

- Parts with "••" are component parts or sub-assembly with "*" appearing immediately above them.

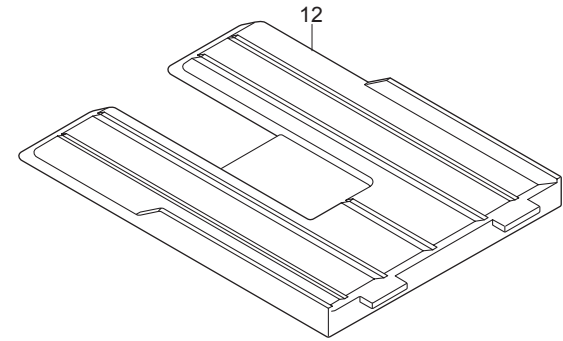
Printing System(V)



Scan System(G)



Copy Tray(EXP)



Key Counter

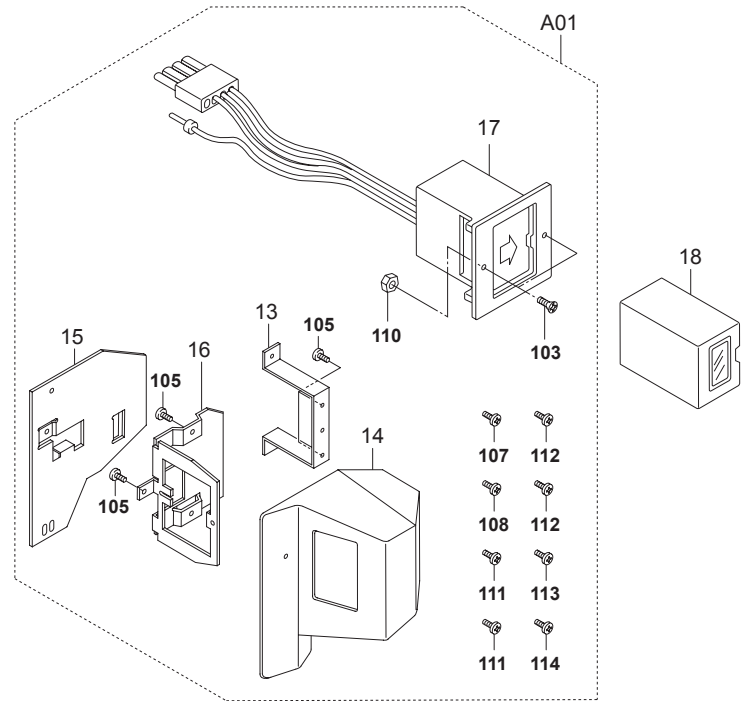


FIG. 43 Options

2FB/2FC-3

SP	Ref. No.	Part.No.	Alternative.	Description	120
	1	2DA26520		GUIDE CF	1
⊙	2	303JT01010	3JT01010	CONTROLLER ASS'Y WITH SOFTWARE	1
⊙	3	303JT01020	3JT01020	PCB DIMM ASS'Y WITH SOFTWARE	1
	4	303JT26010	3JT26010	MOUNT CONTROLLER PCB	1
	5	7YZM320001++H01	YZ021440	ACCESS.CLAMP	1
	6	3H827010		SHEET RADIATOR (40set)	1
	7	5MMS636SD009	3BH26020	PLATE OPTION /40613C0002 A4	2
⊙	8	303JT39020	3JT39020	COVER CF	1
⊙	9	303JT34010	3JT34010	LABEL OPT1	1
⊙	10	303JT34020	3JT34020	LABEL HDD	1
⊙	11	3JR01010		SCANNER NIC ASS'Y	1
⊙	12	2A304190		COPY TRAY(EXP)	1
⊙	A01	302A369705	2A369705	SET PARTS KEYCOUNTER NEW COLOR	1
	13	*66060040		MOUNT,KEY COUNTER	1
	14	*2A360010		COVER,KEY COUNTER	1
	15	*66060022		RETAINER,KEY COUNTER COVER	1
	16	*66060030		RETAINER,KEY COUNTER	1
	17	*29236240	41529210	SOCKET ASS'Y,KEY COUNTER	1
⊙	18	82142540		KEY COUNTER	1

SP	Ref. No.	Part.No.	Alternative.	Description	120
	101	5MMT263SN012++R	2D903100	SCREW OP / M3 X 8 CRFREE A4	
	102	B1A54080		+BIND TAP-TITE S SCREW M4X08	
	103	B2303060		COUNTER-SUNK HEAD SCREW BFHM3X6 (BLACK)	
	105	B4304060		TRIPLE SCREW M4X6 (BLACK)	
	106	B4304100		TRIPLE SCREW M4X10 (BLACK)	
	107	B1303080		BINDING SCREW BVM3X8 (BLACK)	
	108	B4104060		TRIPLE SCREW M4X6(CHROMIUM)	
	110	C2303000		NUT BNM3 (BLACK)	
	111	B3024100		BINDING TAP-TIGHT SCREW M4X10	
	112	B8014100		BINDING TAP-TIGHT P SCREW M4X10	
	113	B1B54300		+BIND TAP-TITE S SCREW M4X30(TRIVALENT C	
	114	7BB100420H	BB040740	+BIND TAP-TITE S SCREW M4X20 CRFREE	

- Parts with "*" are component parts or sub-assemblies of the assembly appearing immediately above them.
- Parts with "⊙" indicates the spare parts.

- Parts with ".•" are component parts or sub-assembly with ".•" appearing immediately above them.

FIG. 44 Maintenance Kits

2FB/2FC-2.0

SP	Ref. No.	Part.No.	Alternative.	Description	120
		1702FB0U10	072FB0U1	SET,PM-650A (option)	1
		1702FB0U20	072FB0U2	•SET,PM-650B (option)	1
				••FELT,CLEANING	1
				••SEPARATOR FUSER ASSY	7
				••PULLEY LEADING FEED	4
				••PULLEY FEED	4
				••ROLLER TRANSFER	1
				••ROLLER PRESSURE	1
				••GEAR 50 HEAT ROLLER B	1
				••ROLLER HEAT	1
				••LOWER ROLLER CLEANING	1
				••GEAR FUSER JOINT B	1
				••GRID ASS'Y	1
				••MC CLEANING PAD ASS'Y	4
				••PTC CLEANING PAD ASS'Y	1
				••PARTS TC BELT SP	1
		1702FB0UN0	072FB0UN	•SET,MK-650B (option)	1
				••DISPOSAL TANK ASS'Y	1
				••LOWER PULLEY FEED	4
				••CLEANING ASS'Y	1
				••COVER CLN PROTECTION	1
				••FILTER FRONT COVER D	1
				••FILTER FRONT COVER E	1
				••FILTER FRONT COVER F	1
				••DEVELOPING ASS'Y (SP)	1
				••REAR DLP FILTER ASS'Y	1
				••PARTS,DRUM ELECTRODE ASS'Y	1
				••BELT PF	1
				••PULLEY LF	1
				••PULLEY SEPARATION	1
				••OZONE FILTER	1
				••OZONE FILTER B	1
				••OZONE FILTER C	3
				••FILTER MC FAN	1
				••FRONT FILTER DLP FAN	1
				••FRONT FILTER IMAGE FAN	1
				••REAR DLP FILTER B ASS'Y	1
		1702FB0U20	072FB0U2	SET,PM-650B (option)	1
				•FELT,CLEANING	1
				•SEPARATOR FUSER ASSY	7
				•PULLEY LEADING FEED	4
				•PULLEY FEED	4
				•ROLLER TRANSFER	1
				•ROLLER PRESSURE	1
				•GEAR 50 HEAT ROLLER B	1
				•ROLLER HEAT	1
				•LOWER ROLLER CLEANING	1
				•GEAR FUSER JOINT B	1
				•GRID ASS'Y	1
				•MC CLEANING PAD ASS'Y	4

SP	Ref. No.	Part.No.	Alternative.	Description	120
		1702FB0UN0	072FB0UN	•PTC CLEANING PAD ASS'Y	1
				•PARTS TC BELT SP	1
				SET,MK-650B (option)	1
				•DISPOSAL TANK ASS'Y	1
				•LOWER PULLEY FEED	4
				•CLEANING ASS'Y	1
				•COVER CLN PROTECTION	1
				•FILTER FRONT COVER D	1
				•FILTER FRONT COVER E	1
				•FILTER FRONT COVER F	1
				•DEVELOPING ASS'Y (SP)	1
				•REAR DLP FILTER ASS'Y	1
				•PARTS,DRUM ELECTRODE ASS'Y	1
				•BELT PF	1
				•PULLEY LF	1
				•PULLEY SEPARATION	1
				•OZONE FILTER	1
				•OZONE FILTER B	1
				•OZONE FILTER C	3
				•FILTER MC FAN	1
				•FRONT FILTER DLP FAN	1
				•FRONT FILTER IMAGE FAN	1
				•REAR DLP FILTER B ASS'Y	1
		1702FB7US0	072FB7US	SET,MK-650A(A) (option)	1
				•PTC ASS'Y	1
				•MCH ASS'Y	1
				•TC BELT ASS'Y	1
				•FUSER ASS'Y 120	1
				•UPPER PULLEY FEED ASS'Y	4
				•HEAT CLAW ASS'Y	1

• Parts with "*" are component parts or sub-assemblies of the assembly appearing immediately above them.

• Parts with "⊙" indicates the spare parts.

• Parts with "••" are component parts or sub-assembly with "•" appearing immediately above them.

INDEX

2FB/2FC-3

SP	Part.No.	Alternative.	Description	Fig.No.	SP	Part.No.	Alternative.	Description	Fig.No.
	1702FB0U10	072FB0U1	SET,PM-650A	44	⊙	2BC07050		PULLEY,LIFT WIRE	5,6,26
	1702FB0U20	072FB0U2	SET,PM-650B	44		2BC07060		HOLDER,WIRE PULLEY	5,6
	1702FB0UN0	072FB0UN	SET,MK-650B	44	⊙	2BC07110		GEAR 20	5,6
	1702FB7US0	072FB7US	SET,MK-650A(A)	44		2BC07120		SPACER,DECK LIFT	5,6
	18568120		PIN B,POSITIONING	42		2BC07170		LIFT PLATE,DECK	5,6
	27203060	48527200	SPRING,CHARGER	17		2BC07200		FILM,LIFT PLATE	5,6
	27307190	48927324	PULLEY,CLEANING UNIT	12,26	⊙	2BC07330		LEFT WIRE A,LIFT	5,6
	27505290	45592554	BEARING,DEVELOPING UNIT	12	⊙	2BC07340		LEFT WIRE B,LIFT	5,6,11
⊙	28107400		BEARING,688ZZNR	15,23,29		2BC07520		UPPER PULLEY,DECK CONVEYING	7,10
	28122160	48528108	SPRING,JOINT	12		2BC07830		GROUND PLATE,CASSETTE	4
⊙	28902020	45728900	GEAR 38T	12		2BC07860		TERMINAL,PAPER SIZE DETECTION	4,11
	29236240	41529210	SOCKET ASS'Y,KEY COUNTER	43		2BC07890		PROTECTING PLATE,DECK DAMPER	5,6
	29717220		PRESSING SPRING B,SB	14,29		2BC10070		MOUNT BASE,POTENTIAL SENSOR	32
⊙	29812291		CUSHION,CONTACT GLASS	16	⊙	2BC12120		PULLEY,SCANNER	15
⊙	29822230		GEAR 16T,PF IDLE	9		2BC12170		CONTACT GLASS,ADF	16
⊙	2A010180		PAD,MC WIRE CLEANING	17		2BC12190		SPRING,MIRROR HOLDER	15
⊙	2A020330		FELT,CLEANING	21		2BC16171		SUPPORT PLATE,TRANSFER RELEASE	12
	2A022340		LEVER,FIXING CLEANING DRIVE	23		2BC16310		MOUNT,CONVEYING SLIDER	3
	2A026180		GROUND PLATE,SCANNER FRAME	2		2BC16450		MOUNT,CONVEYING HOOK	23
	2A068021		SHEET,DF ADJUSTMENT	42		2BC16460		HOOK,CONVEYING RETAINING	23
⊙	2A068240		WIRE,MAIN CHARGER	17		2BC16470		SPRING,CONVEYING HOOK	23
	2A116180		BUSHING,TRANSFER	36		2BC16660		SHAFT,TRANSFER RELEASE PULLEY	12
⊙	2A118370		PULLEY,DRUM SEPARATION	19		2BC18820		SPRING,DISPOSAL SPIRAL THRUST	20
⊙	2A304190		COPY TRAY(EXP)	43		2BC18830		BUSHING,DISPOSAL SPIRAL	20
	2A360010		COVER,KEY COUNTER	43		2BC20190		SHAFT,SEPARATION CLAW	22
	2AC12280		HOLDER,ADF CONTACT GLASS	16		2BC20250		STOPPER,FIXING EJECT GUIDE	12
	2AC18300		SPRING,CLEANING	23		2BC20380		STOPPER,SEPARATION CLAW	22
⊙	2AC21250		STATIC ELIMINATOR,EJECT	29	⊙	2BC20400		HANDLE,FIXING EJECT RELEASE	22
⊙	2AC21650		PULLEY 22,FEED SHIFT	14		2BC20420		UPPER FULCRUM PIN,FEED SHIFT	22
⊙	2AR18240		CLAW,SEPARATION	19		2BC20480		SPRING,SEPARATION CLAW THRUST	22
	2AV12450		SLIDER,SCANNER	15		2BC20500		LOWER DUCT,FIXING EJECT	12
⊙	2AV22310		GEAR,16 IDLE	7,10	⊙	2BC20660		GEAR,FIXING CLEANING DRIVE	21
	2AV27440		CORE 15-26X13	15,16,30,31	⊙	2BC20730		GEAR B,FIXING CLEANING DRIVE	21
	2BC02240		SHIELD PLATE,BASE	2		2BC21090		WORK PLATE,SWITCH BACK ROLLER RELEASE	29
⊙	2BC05140		LABEL,FIXING EJECT RELEASE	22		2BC21100		LIFT PLATE,TURN OVER ROLLER RELEASE	29
⊙	2BC05240		LABEL,UPPER LIMIT	5,6		2BC21120		MOUNT,RELEASE PULLEY	29
⊙	2BC06510		BUSHING 8	5,6,9,12,13,14 23,24,27,39		2BC21140		LEVER,SWITCH BACK ROLLER RELEASE	29
⊙	2BC06520		BUSHING 6,REGISTRATION	27,39,40		2BC21150		SPRING,TURN OVER ROLLER RELEASE	29
	2BC06710		SHAFT,LIFT CASSETTE	4		2BC21320		LEFT GUIDE,FEED SHIFT MIDDLE	14
	2BC06750		RACK,CURSOR	11	⊙	2BC21340		RIGHT GUIDE,TURN OVER	14
⊙	2BC06790		UPPER GEAR,PAPER FEED	7,9,10		2BC21420		PULLEY 20,SWITCH BACK	14,39
⊙	2BC06910		STOPPER 6	7,8,10,12,13 14,15,23,24,26 27,28,29,33,37		2BC21430		FULCRUM PIN,FEED SHIFT	14
	2BC06950		SPRING,CURSOR	4		2BC21450		MOUNT,FEED SHIFT SOLENOID	14
⊙	2BC06980		STOPPER 5	5,6,29		2BC21500		HOOK,DUPLIX RETAINING	27
⊙	2BC07020		FRONT PULLEY,LIFT DRIVE	5,6	⊙	2BC22250		GEAR 27,FEED	12
⊙	2BC07030		DAMPER,DECK LIFT PLATE	5,6		2BC26270		MOUNT,HDD	31
⊙	2BC07040		HOLDER,WIRE	5,6		2BC26280		GROUND PLATE,HDD	31
						2BC60010		DISPOSAL TANK ASS'Y	20
						2BG02240		PULLEY RAIL	8
						2BG02420		SCREW B	30

• Parts with "⊙" indicates the spare parts.

SP	Part.No.	Alternative.	Description	Fig.No.	SP	Part.No.	Alternative.	Description	Fig.No.
	2BG05010		LABEL CAUTION FUSER	21	⊙	2C927090		SENSOR ORIGINAL	15
	2BG06420		HOOK CASSETTE	3,23	⊙	2C927210		SENSOR 248NL1	7,9,15,28,37
	2BG06430		RAIL CASSETTE C	4					39,41
	2BG06480		BAND B	1		2DA26520		GUIDE CF	31,43
⊙	2BG06720		SPRING CASS HOOK	3		2DA26540		LID NETWORK	31
	2BG15540		BEARING MR74ZZ	7,10	⊙	2FB00040		ROLLER REFEED ASS'Y	27
	2BG20350		PIN PULLEY	8		2FB00080		LOWER GUIDE DU CONV ASSY	26
	2BG20520		CLUTCH CLN	21		2FB00090		LEFT GUIDE B ASSY	9
⊙	2BG22950		BUSH 8 EW	12	⊙	2FB00100		LEFT GUIDE C ASSY	9
⊙	2BG22970		BUSH 6 EW	5,6,7,9,10,19	⊙	2FB01030		CASSETTE PWB ASS'Y	20
				23	⊙	2FB01150		TONER SENSOR ASS'Y	32
	2BJ04220		GROUND PLATE LCD A	33	⊙	2FB02110		REAR REINFORCEMENT BASE	2
	2BJ04230		GROUND PLATE LCD B	33	⊙	2FB04010		COVER FRONT 1/4	1
	2BJ04240		GROUND PLATE LCD C	33	⊙	2FB04020		COVER FRONT SUB	1
⊙	2BJ25020		KEY OPERATION 10	33	⊙	2FB04030		COVER EMBLEM	1
⊙	2BJ25040		KEY STOP	33	⊙	2FB04050		COVER LOWER FRONT	1
⊙	2BJ25050		KEY RESET	33	⊙	2FB04060		COVER LOWER FRONT R	1
	2BJ25060		KEY SAVER	33	⊙	2FB04080		COVER MIDDLE LEFT 1/3	1
	2BJ25070		KEY INTERRUPT	33	⊙	2FB04100		COVER LOWER RIGHT M	1
	2BJ25080		KEY CONTROL	33	⊙	2FB04110		COVER LOWER RIGHT R	1
	2BJ25090		KEY INIT	33	⊙	2FB04120		COVER MIDDLE RIGHT 1/3	1
	2BJ25210		LEFT DUST SHIELD	33	⊙	2FB04130		COVER OPERATION SIDE	1
	2BJ25230		RIGHT DUST SHIELD	33	⊙	2FB04140		COVER UPPER LEFT 1/2	1
	2BJ25240		BARRIER TABLET	33	⊙	2FB04150		COVER UPPER RIGHT	1
	2BJ25270		SPONGE LCD A	33	⊙	2FB04160		COVER UPPER REAR 1/2	1
	2BJ25280		SPONGE LCD B	33	⊙	2FB04180		COVER HANDLE L	1
⊙	2BL04310		PLATE NUMBER	5	⊙	2FB04190		COVER HANDLE R	1
⊙	2BL04330		HOLDER SWITCH	1	⊙	2FB04210		MOUNT FRONT COVER	1
⊙	2BL04370		PLATE NUMBER 2	6	⊙	2FB04220		MAGNET CATCH	1,34
⊙	2BL14480		SEAL WIRE	9,17,36,39	⊙	2FB04250		COVER SAFETY SWITCH	25
	2BL16290		CUT WASHER 3	7	⊙	2FB04260		COVER INNER LEFT	1
	2BL21260		SPRING ACTUATOR L	7	⊙	2FB04270		PLATE MAGNET	1
⊙	2BL21330		PULLEY FEED SHIFT	8,9,13,26	⊙	2FB04280		COVER CASSETTE	4
⊙	2BL22570		BUSH DRIVE CONT 8	23	⊙	2FB04290		COVER DECK A	5
⊙	2BL27430		SWITCH MAIN	31	⊙	2FB04300		COVER DECK B	6
	2BY20070	5MVX221XN004	BUSH PRESS /49523A0152 A4	21	⊙	2FB04310		HANDLE CASSETTE	4,5,6
⊙	2C901050		PCB MPF SIZE ASSY	36	⊙	2FB04340		MOUNT DECK COVER	5,6
⊙	2C905160		LABEL GLASS CAUTION	15	⊙	2FB04350		COVER BASE OPERATION	33
⊙	2C910070		HOOK WIRE	17	⊙	2FB04360		MOUNT BASE OPERATION	33
⊙	2C912150		RETAINER WIRE	15	⊙	2FB04370		LID MAIN SW	1
⊙	2C912260		BELT SCANNER	15	⊙	2FB04380		COVER DP CABLE	1
⊙	2C912310		GEAR Z18/39	15	⊙	2FB04390		MOUNT PLATE F COVER	1
⊙	2C912320		GEAR Z36	15	⊙	2FB04400		PIN FULCRUM F COVER	1
⊙	2C912340		DRUM PULLEY	15	⊙	2FB04510		RIGHT COVER CONVEYING	14
	2C912620		GUIDE RELEASE SWITCH	15	⊙	2FB04520		LEFT COVER CONVEYING	12
	2C912640		SHAFT RELEASE SWITCH	15	⊙	2FB04550		COVER DU	26
	2C912650		SPRING RELEASE SWITCH	15	⊙	2FB04580		MOUNT DECK HOOK	5,6
⊙	2C914160		GEAR Z30S-Z15S	18		2FB04590		RETAINER DECK RELEASE R	3
⊙	2C922070		GEAR 30/23	40		2FB04600		RETAINER DECK RELEASE L	3
⊙	2C922110		GEAR 32 DPX	39		2FB04610		LEVER DECK RELEASE	5,6

• Parts with "⊙" indicates the spare parts.

SP	Part.No.	Alternative.	Description	Fig.No.
	2FB04620		HOOK DECK RELEASE	5,6
	2FB04640		SHAFT DECK RELEASE	5,6
	2FB04650		WORKING PLATE DECK SHAFT	5,6
	2FB04660		MOUNT DECK RELEASE	5,6
	2FB04670		PIN DECK RELEASE	5,6
⊙	2FB05050		LABEL TONER SUPPLY	17
	2FB06020		LOWER HOUSING FEED 1/2	10
	2FB06030		HOUSING LEADING FEED	7,10
⊙	2FB06040		PULLEY LEADING FEED	7,9,10
	2FB06050		SHAFT LEADING FEED	7,10
⊙	2FB06060		PULLEY FEED	7,9,10
	2FB06070		SHAFT FEED	7,10
⊙	2FB06080		LOWER PULLEY FEED	7,9,10
⊙	2FB06100		TORQUE LIMITER FEED	39
	2FB06110		SHAFT IDLE	7,10
	2FB06120		SHAFT WEIGHT	7,10
	2FB06130		GEAR FEED	7
	2FB06160		MOUNT MOTOR	7,10
⊙	2FB06170		LEVER SEPARATION RE	7,10
	2FB06180		LEVER SEPARATION	7,10
	2FB06220		SHAFT GUIDE PULLEY	7,10
	2FB06500		HOUSING DECK FEED 1/4	7
	2FB06530		SHAFT LOWER DECK A	7
⊙	2FB06550		ROLLER DECK FEED	7
⊙	2FB06570		GEAR IDLE B	7
⊙	2FB06600		PULLEY DECK	7
⊙	2FB06620		LEVER D FEED SW	7
	2FB06630		MOUNT D FEED HOOK	23
	2FB06640		SPRING DECK F HOOK	23
	2FB06650		SHAFT PULLEY FEED	8
⊙	2FB06670		BELT DECK FEED	7
	2FB06680		SPRING DECK FEED A	8
	2FB06690		SPRING DECK FEED B	8
	2FB06710		PIN CASSETTE RAIL	3,8
⊙	2FB06900		PULLEY CASSETTE RAIL	3,8
	2FB06930		LEFT RAIL FRAME	3
	2FB06940		RIGHT RAIL FRAME	3
⊙	2FB06950		COVER LEFT RAIL FRAME	3
⊙	2FB06960		COVER DECK FEED	8
	2FB07050		PIN CURSOR	4
	2FB07060		SPRING CURSOR	4
	2FB07070		RAIL CASSETTE R	3
	2FB07090		LEFT CASSETTE STAY	3
	2FB07100		BASE DECK	5,6
	2FB07200		RIGHT MOUNT DECK SLIDER	3
	2FB07220		MOUNT CASSETTE SLIDER R	3
	2FB07240		MOUNT CASSETTE DRAWER	30
⊙	2FB07250		MOTOR LIFT CASSETTE	24
	2FB07270		MOUNT PAPER DETECTION	30
	2FB07280		HOLDER CASSETTE SW	30

SP	Part.No.	Alternative.	Description	Fig.No.
	2FB07290		SHAFT LCF LIFT	5,6
	2FB07320		MOUNT BASE DECK SLIDER	5,6
⊙	2FB07330		STOPPER BYPASS TABLE	3,8,11,26,28
⊙	2FB07500		COVER VERTICAL FEED 1/2	9
	2FB07510		REAR FRAME V FEED	9
	2FB07530		RIGHT GUIDE B VF	9
	2FB07540		UPPER GUIDE SIDE DECK	9
	2FB07560		HOOK VERTICAL FEED	9
	2FB07570		SHAFT RELEASE HOOK	9
	2FB07590		RIGHT HANDLE FEED RELEASE	9
	2FB07600		SHAFT FEED PULLEY	9
	2FB07610		SHAFT SIDE DECK	9
	2FB07620		HOLDER RELEASE SHAFT	9
	2FB07700		LEFT GUIDE A	9
	2FB07760		HINGE VERTICAL FEED	9
	2FB07790		LATCH PLATE HOOK	9
	2FB07800		SPRING FEED PULLEY	9
	2FB07810		SPRING FEED GUIDE	9
	2FB08040		REAR RETAINER DRUM	17
	2FB08050		FRONT RETAINER DRUM	17
⊙	2FB08080		ELECTRODE A DRUM HEATER	17
⊙	2FB08090		ELECTRODE B DRUM HEATER	17
⊙	2FB08100		ELECTRODE DRUM	17
	2FB08240		CASE HIGH VOLTAGE CATCH	30
	2FB08250		TERMINAL PTC CATCH	30
	2FB08270		TERMINAL DB CATCH	30
	2FB08350		TERMINAL MAIN	30
⊙	2FB08360		TERMINAL GRID	30
⊙	2FB08370		LEVER CONT RELEASE	17
	2FB08380		SPRING CONT RELEASE	17
⊙	2FB08390		COVER CLN FAN	17
	2FB08400		GROUND PLATE HV	30
	2FB08410		COVER SENSOR SP	32
	2FB08450		PIN IMAGE FORMATION	3
	2FB08460		PIN CONNECTOR	30,32
	2FB08500		SLIDER IMAGE FORMATION	3
	2FB08510		LEFT MOUNT IMAGE SLIDER	3
	2FB08530		RIGHT MOUNT IMAGE SLIDER	3
⊙	2FB08790		LID PTC HOUSING	17
⊙	2FB10080		TERMINAL MC	17
⊙	2FB10200		GEAR 35 MC	17
⊙	2FB10210		GEAR 40/20 MC	17
⊙	2FB10260		WORK PLATE MC	17
⊙	2FB10290		LEVER MC CLEANING	17
	2FB12110		MIRROR FRAME A	15
	2FB12130		REFLECTOR SCANNER	15
⊙	2FB12140		MIRROR A	15
	2FB12150		GUIDE LAMP WIRE	15
	2FB12160		MIRROR FRAME B	15
	2FB12170		ADJUSTING PLATE B	15

• Parts with "⊙" indicates the spare parts.

SP	Part.No.	Alternative.	Description	Fig.No.	SP	Part.No.	Alternative.	Description	Fig.No.
⊙	2FB12180		MIRROR B	15		2FB17240		SHAFT FEED HANDLE	13
⊙	2FB12190		PULLEY LAMP WIRE	15		2FB17250		TENSION PLATE FEED	13
⊙	2FB12210		MOTOR SCANNER	15	⊙	2FB17260		BELT FEED HANDLE	13
	2FB12230		SHAFT SCANNER DRIVE	15		2FB17510		LOWER GUIDE MP	9
⊙	2FB12240		FRONT WIRE SCANNER	15		2FB17520		SHAFT MP FEED	9
⊙	2FB12250		REAR WIRE SCANNER	15		2FB17530		LOWER SHAFT MP	9
	2FB12260		MOUNT ORIGINAL DETECTION	15		2FB17540		SUPPORT PLATE MP	9
	2FB12270		COVER BASE	15		2FB17550		LEVER MP SOLENOID	9
	2FB12280		COVER INVERTER	16		2FB17560		LEVER STOPPER RELEASE	9
	2FB12290		PIN SCANNER RETAINING	33		2FB17570		STOPPER PAPER	9
	2FB12320		MOUNT SCANNER PI	15		2FB17600		SHAFT LEADING MP	9
	2FB12350		FEED GUIDE LAMP WIRE	15	⊙	2FB17610		TORQUE LIMITER MP	7,10
⊙	2FB12410		PULLEY MOVING IDLE	15		2FB17620		SUPPORT PAD ROLLER	9
	2FB12590		COVER SHD PCB	15		2FB17630		SPRING MP PAD	9
	2FB12660		COVER ISU	15	⊙	2FB17640		JOINT MP	9
⊙	2FB14080		GEAR MIXER Z22S	18		2FB17650		SHAFT FEED MP	9
⊙	2FB14100		GEAR MIXER IDLE Z35S/Z20S	18		2FB17670		SPRING JOINT MP	9
	2FB14250		UPPER FILM A DLP	18		2FB17680		SPRING LEADING FEED MP	9
	2FB14260		UPPER FILM B DLP	18		2FB17690		SPRING SOLENOID	9
	2FB16040		STAY TRANSFER	12	⊙	2FB18030		BRUSH CLEANING	19
⊙	2FB16050		IDLE BELT ROLLER	12		2FB18050		LOWER SEAL CLEANING	19
⊙	2FB16060		ROLLER BELT DRIVE	12	⊙	2FB18130		FRONT SEAL CLEANING	19
	2FB16090		FRONT FRAME TURN	12	⊙	2FB18140		REAR SEAL CLEANING	19
	2FB16100		REAR FRAME TURN	12	⊙	2FB18150		FRONT SPONGE CLN	19
	2FB16120		GROUND PLATE TURN	12	⊙	2FB18160		REAR SPONGE CLN	19
	2FB16130		JOINT TRANSFER DRIVE	12	⊙	2FB18170		FRONT SPONGE CLN SIDE	19
	2FB16170		HOOK CONVEYING RELEASE	12	⊙	2FB18180		REAR SPONGE CLN SIDE	19
	2FB16190		SHAFT TRANSFER RELEASE	12	⊙	2FB18210		SPONGE LOWER SEAL	19
	2FB16210		SPRING TRANSFER ROLLER	12	⊙	2FB18220		GEAR 31 CLN DRIVE	19
	2FB16220		SPRING PRE TRANSFER	12	⊙	2FB18230		GEAR 16 FUR BRUSH	19
⊙	2FB16240		ROLLER TRANSFER	12	⊙	2FB18240		GEAR 29/20 SPIRAL	19
	2FB16250		ELECTRODE TRANSFER	12	⊙	2FB18420		SPONGE SHUTTER	20
	2FB16260		HANDLE CONVEYING	12	⊙	2FB18450		REAR SPONGE BLADE BACK	19
	2FB16280		PIN DRUM LIFT	12	⊙	2FB18460		FRONT SPONGE BLADE BACK	19
	2FB17010		HOUSING REGIST	13		2FB18510		HOUSING TONER DISPOSAL	20
⊙	2FB17020		UPPER ROLLER REGIST	13		2FB18530		SPIRAL DISPOSAL	20
⊙	2FB17030		LOWER ROLLER REGIST	13		2FB18540		MOUNT DISPOSAL DRIVE	20
⊙	2FB17040		ROLLER FEED B	13		2FB18550		SHAFT DISPOSAL DRIVE	20
	2FB17050		SHAFT FEED PULLEY	13	⊙	2FB18560		BUSHING B DISPOSAL	19,20
	2FB17060		LOWER GUIDE REGIST	13	⊙	2FB18570		GEAR 30 DISPOSAL	20
	2FB17070		LOWER GUIDE FEED	13	⊙	2FB18580		GEAR 15 DISPOSAL	20
	2FB17080		UPPER GUIDE REG	13		2FB18630		MOUNT DISPOSAL PIPE	20
⊙	2FB17110		GEAR 26/34 FEED	13		2FB19030		LOWER GUIDE DU 1/2	26
⊙	2FB17140		HANDLE FEED	14		2FB19060		RIGHT GUIDE MIDDLE TRAY	28
	2FB17150		SPRING REGIST	13		2FB19090		GUIDE MIDDLE TRAY	28
	2FB17160		SPRING FEED PULLEY	13		2FB19100		GUIDE TURN OVER DU	27
	2FB17170		SPRING FEED GUIDE	13		2FB19120		MOUNT REFEED PULLEY	27
	2FB17200		MAGNET UPPER REG GUIDE	13		2FB19130		MOUNT FEED SHIFT SOLENOID	27
	2FB17210		COVER UPPER REG GUIDE	13	⊙	2FB19140		GEAR 24 DU CONVEYING	27
⊙	2FB17220		PULLEY 26 ONEWAY FEED	13	⊙	2FB19170		GEAR 28/35	27

• Parts with "⊙" indicates the spare parts.

SP	Part.No.	Alternative.	Description	Fig.No.
	2FB19190		MOUNT PLATE DU DRIVE	27
	2FB19200		MOUNT PLATE DU DRAWER	27
	2FB19230		SUPPORT PLATE HOOK SHAFT	30
⊙	2FB19260		GEAR Z30/B30	28
	2FB19280		TENSION PLATE DU	27
⊙	2FB19290		PULLEY DU TENSION	27
	2FB19320		GUIDE FEED REVERSE	27
⊙	2FB19340		LEVER REVERSE SOLENOID	28
	2FB19350		MOUNT SOLENOID	28
⊙	2FB19390		PULLEY DU SWITCHBACK	28
⊙	2FB19420		BELT SIDE REGISTRATION	28
	2FB19460		RIGHT MOUNT GUIDE RAIL	26
	2FB19470		LEFT MOUNT GUIDE RAIL	26
	2FB19480		LEVER GUIDE DU	26
	2FB19490		MOUNT SIDE REGISTRATION	28
	2FB19510		SHAFT A DU CONVEYING	26
	2FB19520		RIGHT SLIDER	3
	2FB19530		LEFT SLIDER	3
	2FB19540		SHAFT B DU CONVEYING	26
	2FB19550		SHAFT C DU CONVEYING	26
	2FB19570		SPRING RETAINING 2	26
	2FB19580		SPRING RETAINING	26
	2FB19590		GUIDE DU REFEED	27
	2FB19600		SPRING TENSION	27
⊙	2FB19620		GEAR 27/24 ONE-WAY L	7,27
⊙	2FB19630		PULLEY 24/24 DU CONVEYING	27
⊙	2FB19640		BELT REAR FEED	27
⊙	2FB19680		GEAR 37/24 DU CONVEYING	27
	2FB19720		SHAFT PULLEY	28
	2FB19740		HOLDER PULLEY	27
⊙	2FB19770		HOLDER SW DU	26
⊙	2FB19780		LEFT GUIDE SIDE B	28
⊙	2FB19790		RIGHT GUIDE SIDE B	28
	2FB19800		SPRING DU SWITCHBACK	28
	2FB19810		SPRING A LOWER GUIDE	3,26
	2FB19820		COVER SW SWITCHBACK	28
	2FB19830		COVER SW SIDE REGIST	28
	2FB19850		SPRING DU HOOK	27
	2FB19860		SPRING CONVEYING	26
	2FB19870		SPRING C LOWER GUIDE	26
	2FB19910		SHAFT HOLDER	28
	2FB19920		MOUNT SIDE REGIST DRIVE	28
	2FB19950		HOLDER MAGNET	26
	2FB19980		WIRE JAM LIFT	26
⊙	2FB20020		ROLLER PRESSURE	21
	2FB20030		MOUNT FUSER DRAWER	21
⊙	2FB20040		BUSHING HEAT ROLLER	21
⊙	2FB20060		ROLLER HEAT	21
	2FB20090		UPPER GUIDE FUSER	21
	2FB20100		LOWER GUIDE FUSER EJECT	21

SP	Part.No.	Alternative.	Description	Fig.No.
	2FB20110		UPPER HOLDER FUSER EJECT	22
	2FB20120		STAY FUSER	21
	2FB20150		UPPER GUIDE FUSER EJECT	22
	2FB20210		UPPER PLATE FUSER EJECT	22
	2FB20240		SPRING FUSER CLEANING	21
	2FB20290		SHAFT FUSER WEB DRIVE A	21
	2FB20310		LEVER PRESSURE	21
⊙	2FB20350		UPPER COVER FUSER	21
	2FB20390		PIN PRESSURE	21
	2FB20400		MOUNT PRESSURE	21
	2FB20420		SPRING PRESSURE	21
	2FB20430		PIN CLAW THRUST	21
⊙	2FB20450		LOWER ROLLER CLEANING	21
⊙	2FB20460		HEATER M120 FUSER	21
⊙	2FB20470		HEATER S120 FUSER	21
⊙	2FB20480		HEATER L120 FUSER	21
	2FB20520		FRONT FRAME FUSER	21
	2FB20530		REAR FRAME FUSER	21
	2FB20540		BASE FUSER	21
⊙	2FB20550		MOUNT GUIDE FUSER EJECT	21
	2FB20560		THERMOSTAT 190 FUSER	21
	2FB20570		HOLDER FUSER EJECT	22
⊙	2FB20580		TERMINAL M HEATER	21
⊙	2FB20590		TERMINAL S HEATER	21
⊙	2FB20600		TERMINAL L HEATER	21
⊙	2FB20620		GEAR 30 WEB ROLLER	21
	2FB20630		FRONT MOUNT HEATER	21
⊙	2FB20640		GEAR CLAW THRUST	21
	2FB20650		LEVER CLAW THRUST	21
⊙	2FB20670		FRONT COVER FUSER	21
⊙	2FB20680		TERMINAL THERMOSTAT	21
	2FB20690		RIGHT HOOK FEED RELEASE	22
⊙	2FB20700		GEAR 33 CONVEYING IDLE	12
	2FB20860		PIN FUSER COVER	12,21,22,36
	2FB21010		LEFT GUIDE SWITCH BACK	29
⊙	2FB21050		ROLLER EJECT	29
⊙	2FB21060		PULLEY EJECT	29
	2FB21070		GUIDE FEED SHIFT	14
	2FB21090		FRONT FRAME EJECT	29
⊙	2FB21100		REAR FRAME EJECT	29
⊙	2FB21110		GEAR FUSER EJECT JOINT	12
⊙	2FB21120		PULLEY ARM LARGE	29
⊙	2FB21130		PULLEY 30	14
⊙	2FB21140		PULLEY 24 EJECT	29
	2FB21150		LOWER GUIDE EJECT	29
	2FB21600		PIN FUSER EJECT	14
	2FB21610		PIN FEED SHIFT	13,14,33
	2FB21620		PIN EJECT	29
	2FB21630		LEVER A FEED SOLENOID	14
	2FB22010		SHAFT DRUM DRIVE	24

• Parts with "⊙" indicates the spare parts.

SP	Part.No.	Alternative.	Description	Fig.No.
⊙	2FB22020		COUPLING DRUM DRIVE	24
⊙	2FB22030		GEAR 183 DRUM DRIVE	24
⊙	2FB22060		PLATE DRIVE MAIN R	24
⊙	2FB22070		SPRING DRUM DRIVE	24
⊙	2FB22100		GEAR 64 DLP	24
⊙	2FB22110		GEAR 82/33 CLD	24
⊙	2FB22120		BELT CLEANING DRIVE	24
⊙	2FB22200		GEAR 16 REGIST	13
⊙	2FB22230		GEAR 82 TFR	23
⊙	2FB22240		GEAR 36 TFR	23
⊙	2FB22250		SHAFT TFR	23
⊙	2FB22260		GEAR 65 DISPOSAL	23
⊙	2FB22270		PLATE DRUM DRIVE	24
⊙	2FB22280		PULLEY TENSION	24
⊙	2FB22320		PLATE CONT DRIVE	23
⊙	2FB22330		HOLDER CONT DRIVE	23
⊙	2FB22340		GEAR Z70S/Z16S	23
⊙	2FB22350		GEAR Z56S/Z20S	23
⊙	2FB22360		GEAR JOINT CONT	23
⊙	2FB22370		SPRING CONT DRIVE	23
⊙	2FB22380		COUPLING CONTAINER	23
⊙	2FB22410		PULLEY 22 CL	24
⊙	2FB22430		SPRING DLP DRIVE	24
⊙	2FB22440		TENSION PLATE CL	24
⊙	2FB22450		SHAFT CLEANING DRIVE	24
⊙	2FB22460		SPRING CL DRIVE	24
⊙	2FB22490		COUPLING FIXING JOINT	23
⊙	2FB22530		SHAFT FUSER CL DRIVE	23
⊙	2FB22540		SHAFT FUSER DRIVE	23
⊙	2FB22560		GEAR 40 FIXING	23
⊙	2FB22580		GEAR 19 FIXING	23
⊙	2FB22590		GEAR 19/33 EJECT	23
⊙	2FB22600		MOUNT EJECT PULLEY	23
⊙	2FB22610		MOUNT BYPASS DRIVE	23
⊙	2FB22620		RETAINER BYPASS DRIVE	23
⊙	2FB22630		RETAINER VF DRIVE	23
⊙	2FB22640		GEAR 38 VERTICAL FEED	23
⊙	2FB22650		GEAR 32 VERTICAL FEED	23
⊙	2FB22660		GEAR 32 FEED C	23
⊙	2FB22670		GEAR 44 BYPASS	23,24
⊙	2FB22680		GEAR 54 BYPASS	23
⊙	2FB22700		GEAR 133 DUPLEX	23
⊙	2FB22710		GEAR 71 DUPLEX	23
⊙	2FB22720		GEAR 29 DUPLEX	23
⊙	2FB22730		BELT EJECT DRIVE	23
⊙	2FB22740		TENSION PLATE EJECT DRIVE	23
⊙	2FB22760		COUPLING DLP DRIVE	24
⊙	2FB22770		SPRING FIXING DRIVE	23
⊙	2FB22780		SHAFT BYPASS DRIVE	23
⊙	2FB22810		GEAR 43 FEED	13

SP	Part.No.	Alternative.	Description	Fig.No.
⊙	2FB22820		GEAR 21 FEED	13
⊙	2FB22830		GEAR 25 FEED A	13
⊙	2FB22850		BELT VERTICAL FEED	23
⊙	2FB22860		PULLEY 32 VERTICAL FEED	23
⊙	2FB22870		MOUNT VF MOTOR	23
⊙	2FB22880		TENSION PLATE VF DRIVE	23
⊙	2FB22890		PULLEY 26 VERTICAL FEED	23
⊙	2FB22900		PULLEY 19 DRIVE	24
⊙	2FB22910		SPRING FUSER DRIVE	23
⊙	2FB22920		SPRING FUSER JOINT	23
⊙	2FB23040		LEFT DUCT CLEANING	3
⊙	2FB23060		DUCT MAIN CHARGER	25
⊙	2FB23070		PARTITION PLATE FIXING	2
⊙	2FB23080		UPPER DUCT FIXING	25
⊙	2FB23090		SPONGE UPPER DUCT FIXING	25
⊙	2FB24060		KEY POWER SUPPLY	33
⊙	2FB24150		KEY FUNCTION J	33
⊙	2FB26030		MOUNT SAFETY SWITCH	32
⊙	2FB26040		MOUNT POWER SOURCE	30
⊙	2FB26150		RETAINER SEQUENCE	31
⊙	2FB26160		MOUNT MAIN SW	31
⊙	2FB27020		MOTOR MAIN	24
⊙	2FB27030		MOTOR CLEANING MC	17
⊙	2FB27040		MOTOR TONER SUPPLY	23
⊙	2FB27050		SWITCH FEED	14
⊙	2FB27060		SENSOR HUMIDITY	30,32
⊙	2FB27070		SWITCH PAPER DETECTION	30
⊙	2FB27090		MOTOR TFR	23
⊙	2FB27110		MOTOR FEED	7,10
⊙	2FB27120		MOTOR BYPASS	23
⊙	2FB27130		MOTOR DUPLEX	27
⊙	2FB27150		MOTOR REGISTRATION	13
⊙	2FB27160		INTER LOCK SWITCH	9,35,39
⊙	2FB27170		MOTOR VERTICAL FEED	23
⊙	2FB27190		FAN 60 COOLING	12,25
⊙	2FB27200		LAMP CLEANING	17
⊙	2FB27210		SWITCH FRONT COVER	32
⊙	2FB27320		WIRE PRIMARY	30
⊙	2FB27330		WIRE OPERATION	31
⊙	2FB27360		WIRE DECK UNIT SW	7
⊙	2FB27380		WIRE FIXING UNIT	21
⊙	2FB27390		WIRE HDD	31
⊙	2FB27400		WIRE BYPASS TRAY	11
⊙	2FB27410		WIRE CONVEYING UNIT	12
⊙	2FB27430		WIRE BYPASS PAPER FEED	9
⊙	2FB27440		WIRE REG MOT JUNCTION	12
⊙	2FB27450		WIRE REG SWITCH	13
⊙	2FB27460		WIRE TC FRAME GND	12
⊙	2FB27490		WIRE CONVEYING SW 1	9
⊙	2FB27500		WIRE CONVEYING SW 2	9

• Parts with "⊙" indicates the spare parts.

SP	Part.No.	Alternative.	Description	Fig.No.
	2FB27510		WIRE CASSETTE LENGTH SW	30
	2FB27550		WIRE CCD DATA	15
	2FB27560		WIRE CCD-SCANNER PWB	15
	2FB27590		WIRE ORIGINAL SIZE SENSOR	15
	2FB27610		WIRE FEED SHIFT UNIT	14
	2FB27620		WIRE DECK REMAINDER SW	30
	2FB27640		WIRE EJECT	29
	2FB27650		WIRE LAMP INVERTER	15
	2FB27670		WIRE DECK MOTOR	7
	2FB27700		WIRE FUSER MOTOR	20,30
	2FB27740		WIRE DUPLEX UNIT A	27
	2FB27750		WIRE DUPLEX UNIT B	26
	2FB27760		WIRE DUPLEX UNIT C	28
	2FB27770		WIRE DUPLEX UNIT D	26
	2FB27780		WIRE DUPLEX UNIT E	28
	2FB27790		WIRE DUPLEX UNIT F	27
	2FB27800		WIRE FINISHER	31
	2FB27810		WIRE OPTION DECK	30
	2FB27830		WIRE SCANNER LAMP	15
	2FB27870		WIRE TRANSFER MOTOR	20
	2FB27910		WIRE SCANNER POWER	30
	2FB27920		WIRE HEATER CONTROL	30
	2FB27930		WIRE CONVEYING SW 3	9
	2FB27940		WIRE MAIN PWB	31
	2FB27950		WIRE DEHUMIDIFIER HEATER	29
⊙	2FB28130		POWER SUPPLY PWB 100	30
⊙	2FB28150		HIGH VOLTAGE PWB MC	30
⊙	2FB28160		HIGH VOLTAGE PWB TC	12
⊙	2FB28190		LCD PWB	33
⊙	2FG01020		SIZE DETECTION ASS'Y	4,11
⊙	2FG20230		BEARING HEAT ROLLER	21
⊙	2FG27110		SWITCH REGISTRATION	27,29,34,37,39
⊙	302A002171	2A002171	CASTER UA	2
⊙	302A369705	2A369705	SET PARTS KEYCOUNTER NEW COLOR	43
	302A612201	2A612201	LEFT ORIGINAL SIZE INDICATOR	16
	302AR09201	2AR09201	MOUNT M3A	12
	302BC02102	2BC02102	LOWER LEFT REINFORCEMENT	3
⊙	302BC06034	2BC06034	TABLE A,BYPASS	11
⊙	302BC06046	2BC06046	TABLE B,BYPASS	11
⊙	302BC06052	2BC06052	TABLE C,BYPASS	11
⊙	302BC06061	2BC06061	TABLE D,BYPASS	11
	302BC06091	2BC06091	WORK PLATE,LIFT CASSETTE	4
	302BC06703	2BC06703	CASSETTE	4
	302BC07101	2BC07101	MOUNT,DECK DAMPER	5,6
	302BC07232	2BC07232	FRONT FRAME B,DECK	5,6
	302BC07241	2BC07241	REAR FRAME B,DECK	5,6
	302BC12161	2BC12161	UPPER FILM,SCANNER	16
	302BC16651	2BC16651	PIN,TRANSFER RELEASE	12
⊙	302BG04560	2BG04560	COVER SCREW	2,15,16,31
	302FB00071	2FB00071	REAR FRAME DU ASS'Y	26

SP	Part.No.	Alternative.	Description	Fig.No.
⊙	302FB01041	2FB01041	DECK PWB ASS'Y	20
⊙	302FB01052	2FB01052	DUPLEX PWB ASS'Y	30
⊙	302FB01081	2FB01081	SHD PWB ASS'Y	15
⊙	302FB01111	2FB01111	DRUM PWB ASS'Y	17
⊙	302FB01220	2FB01220	OPERATION UNIT PCB ASS'Y A	33
	302FB01240	2FB01240	TONER SENSOR ASS'Y	20
⊙	302FB01250	2FB01250	FAN DRIVE PCB ASSY	30
	302FB02170	2FB02170	MOUNT REAR COVER	31
	302FB02180	2FB02180	RIGHT MOUNT DECK SLIDER	3
	302FB02630	2FB02630	HOLDER CONT SW3	30
	302FB02730	2FB02730	PROJECTION PLATE C	2
	302FB02810	2FB02810	MOUNT CONT SW	30
	302FB02820	2FB02820	SPRING CONT SW	30
⊙	302FB04072	2FB04072	COVER LOWER LEFT	1
⊙	302FB04091	2FB04091	COVER LOWER RIGHT F	1
⊙	302FB04171	2FB04171	COVER FAN	1
	302FB04231	2FB04231	SUPPORT PLATE F COVER	1
⊙	302FB04241	2FB04241	COVER MIDDLE LEFT R	1
⊙	302FB04420	2FB04420	CLIP DISH	1
⊙	302FB04440	2FB04440	LEVER OPE MOVE	33
	302FB04500	2FB04500	SHAFT OPE MOVE	33
⊙	302FB04531	2FB04531	COVER A IMAGE FORM	17
⊙	302FB04541	2FB04541	COVER B IMAGE FORM	17
⊙	302FB04560	2FB04560	COVER C IMAGE FORM	17
	302FB04630	2FB04630	MOUNT CASSETTE RELEASE	4
	302FB04680	2FB04680	SPRING DECK RELEASE	5,6
	302FB04750	2FB04750	RIGHT RLATE OPE	33
⊙	302FB04760	2FB04760	COVER OPE SIDE LEFT	1
⊙	302FB04770	2FB04770	COVER OPE SIDE RIGHT	1
⊙	302FB04780	2FB04780	REAR SHEILD OPE	33
⊙	302FB04801	2FB04801	COVER INNER FRONT	1
⊙	302FB04813	2FB04813	COVER LOWER REAR	1
⊙	302FB04822	2FB04822	COVER UPPER REAR	1
⊙	302FB04830	2FB04830	COVER ISU FAN	1
	302FB04850	2FB04850	SPONGE INNER FRONT A	1
	302FB04860	2FB04860	SPONGE INNER FRONT B	1
⊙	302FB04870	2FB04870	SHEET OPE FRONT	1
	302FB04880	2FB04880	SPONGE INNER FRONT C	1
	302FB04890	2FB04890	PLATE FULCRUM F COVER	1
	302FB04900	2FB04900	SCREW LOWER RIGHT COVER	1
	302FB04910	2FB04910	SPONGE INNER FRONT D	1
	302FB04920	2FB04920	DUCT INNER FRONT	1
	302FB04930	2FB04930	FILTER DUST UR COVER A	1
	302FB04940	2FB04940	FILTER DUST UR COVER B	1
	302FB04950	2FB04950	FILTER DUST DP COVER A	1
	302FB04960	2FB04960	FILTER DUST DP COVER B	1
	302FB04970	2FB04970	GUIDE CASE	42
	302FB04980	2FB04980	HOLDER FRONT COVER	1
	302FB05080	2FB05080	LABEL UNIT REPLACEMENT	12,21
⊙	302FB05090	2FB05090	LABEL JAM A1	12

• Parts with "⊙" indicates the spare parts.

SP	Part.No.	Alternative.	Description	Fig.No.
	302FB05100	2FB05100	LABEL JAM A2	12
	302FB05120	2FB05120	LABEL JAM A4	14
	302FB05130	2FB05130	LABEL JAM A5	22
	302FB05140	2FB05140	LABEL JAM A6	22
	302FB05150	2FB05150	LABEL JAM A7	13
	302FB05160	2FB05160	LABEL JAM B	26
	302FB05170	2FB05170	LABEL JAM C	8
	302FB05190	2FB05190	LABEL JAM A8	13
⊙	302FB05210	2FB05210	PLATE SIZE IN	42
⊙	302FB05220	2FB05220	LABEL MP CAUTION PICTURE	11
	302FB05231	2FB05231	LABEL OPE MOVE	1
	302FB05240	2FB05240	LABEL OPE LEVER	33
⊙	302FB05250	2FB05250	LABEL CAUTION FUSER	12
	302FB05260	2FB05260	LABEL TEMP CAUTION DU	28
⊙	302FB05270	2FB05270	LABEL CASSETTE	4
	302FB05280	2FB05280	LABEL DECK	5,6
⊙	302FB05300	2FB05300	LABEL MAIN SW E	1
	302FB05310	2FB05310	LABEL DU TEMP	28
	302FB05340	2FB05340	LABEL JAM A3 B	14
	302FB05350	2FB05350	LABEL JAM A3 A	14
⊙	302FB05360	2FB05360	LABEL MP CAUTION E	11
	302FB05380	2FB05380	LABEL VFEED CAUTION	9
⊙	302FB05390	2FB05390	LABEL JAM A4-A6	12
⊙	302FB05400	2FB05400	LABEL HIGH VOLTAGE CAUTION	12
	302FB05430	2FB05430	LABEL DECK TEMP	7
⊙	302FB05440	2FB05440	LABEL VFEED CAUTION 6NATIONS	42
⊙	302FB05540	2FB05540	LABEL HIGH TEMP CAUTION	2
	302FB06091	2FB06091	LOWER SHAFT FEED	7,10
⊙	302FB06151	2FB06151	JOINT DRIVE	7,9,10
⊙	302FB06230	2FB06230	GEAR FEED 27	7,10
	302FB06541	2FB06541	SHAFT LOWER DECK B	7
⊙	302FB06591	2FB06591	GEAR DECK	7
	302FB06830	2FB06830	BUSHING LOWER PULLEY	7,10
	302FB06911	2FB06911	LEFT RAIL DECK FEED	8
	302FB06921	2FB06921	RIGHT RAIL DECK FEED	8
	302FB07013	2FB07013	RAIL CURSOR A	4
	302FB07022	2FB07022	FRONT CURSOR CASSETTE	4
	302FB07032	2FB07032	LEVER CURSOR A	4
	302FB07042	2FB07042	LEVER CURSOR B	4
⊙	302FB07300	2FB07300	MOTOR LIFT DECK	24
	302FB07340	2FB07340	ADJUSTING PLATE CASSETTE	4
	302FB07350	2FB07350	RETAINER CASSETTE HOOK	3
	302FB07360	2FB07360	REAR REINFORCEMENT A DECK	5,6
	302FB07370	2FB07370	REAR REINFORCEMENT B DECK	5,6
	302FB07380	2FB07380	SHEET DECK REINFORCEMENT	5,6
	302FB07400	2FB07400	SUPPORT PLATE CASSETTE	4
	302FB07410	2FB07410	SPRING DECK DAMPER	5,6
	302FB07420	2FB07420	PIN CASSETTE	4
	302FB07430	2FB07430	REAR CURSOR DECK	5,6
	302FB07440	2FB07440	STOPPER DECK FEED	3

SP	Part.No.	Alternative.	Description	Fig.No.
	302FB07450	2FB07450	SPRING DECK FEED STOPPER	3
	302FB07460	2FB07460	FRONT CURSOR DECK	5,6
	302FB07470	2FB07470	SPONGE LIFT CASSETTE	4
	302FB07480	2FB07480	SLIDER CASSETTE B	3
	302FB07521	2FB07521	RIGHT GUIDE A VF	9
	302FB07640	2FB07640	MOUNT FEED GUIDE A	9
	302FB07650	2FB07650	GROUND RIGHT GUIDE A	9
	302FB07661	2FB07661	GROUND RIGHT GUIDE B	9
	302FB07680	2FB07680	GROUND RIGHT GUIDE D	9
	302FB07690	2FB07690	GROUND RIGHT GUIDE E	9
	302FB07731	2FB07731	LEFT OPEN GUIDE	9
	302FB07741	2FB07741	MOUNT FEED SW	9
	302FB07771	2FB07771	HOLDER VERTICAL CONVEYING	9
	302FB07870	2FB07870	BUSHING FEED GUIDE	9
	302FB07880	2FB07880	COVER VERTICAL FEED MOTOR	1
	302FB07890	2FB07890	ACTUATOR REM DETECTION	5,6
	302FB07900	2FB07900	RAIL CASSETTE LEFT	3
	302FB07910	2FB07910	SLIDER DECK	3
	302FB07920	2FB07920	PLATE EARTH VF A	9
	302FB07930	2FB07930	PLATE EARTH VF B	9,12
	302FB07940	2FB07940	GROUND PLATE VFC A	9
	302FB07950	2FB07950	GROUND PLATE VTC B	9
	302FB07960	2FB07960	STAY V FEED COVER	9
	302FB07970	2FB07970	GROUND PLATE MP MOTOR	23
	302FB08490	2FB08490	TERMINAL DLP CATCH	30
	302FB08540	2FB08540	MOUNT POTENTIAL SENSOR	32
	302FB08550	2FB08550	BEARING 15/28 DRUM	24
	302FB08560	2FB08560	BUSHING DRUM EARTH	24
⊙	302FB08570	2FB08570	GROUND PLATE DRUM B	24
	302FB08630	2FB08630	FILTER MC FAN	17
	302FB08640	2FB08640	FRONT FILTER DLP FAN	17
	302FB08660	2FB08660	FILM LOWER IMAGE A	17
	302FB08670	2FB08670	FILM RIGHT IMAGE	17
	302FB08680	2FB08680	FILM LEFT IMAGE SLIDER	3
⊙	302FB08761	2FB08761	SLIDER PTC CLEANING	17
	302FB09060	2FB09060	HOLDER LOWER SEP	10
	302FB09110	2FB09110	COVER DECK MOTOR WIRE	7
	302FB09120	2FB09120	GUIDE DECK FEED	7
	302FB09130	2FB09130	GROUND PLATE DECK GUIDE	8
	302FB09140	2FB09140	GROUND PLATE FEED	7
	302FB09150	2FB09150	GROUND PLATE MOTOR	7
	302FB09160	2FB09160	GROUND PLATE LEFT RAIL	8
	302FB09170	2FB09170	GROUND PLATE RIGHT RAIL	8
	302FB09251	2FB09251	MOUNT SPRING	7,10
	302FB09260	2FB09260	SPRING SEPARATION	7,10
	302FB09300	2FB09300	GEAR IDLE 50	7
	302FB09310	2FB09310	SHAFT LOWER DECK C	7
	302FB09320	2FB09320	GROUND PLATE DECK UNIT	7
	302FB09331	2FB09331	GROUND PLATE ROLLER	8
⊙	302FB09350	2FB09350	FILM FEED A	10

• Parts with "⊙" indicates the spare parts.

SP	Part.No.	Alternative.	Description	Fig.No.
⊙	302FB09360	2FB09360	FILM FEED B	8
⊙	302FB09380	2FB09380	ROLLER FEED VERTICAL	9
⊙	302FB09390	2FB09390	ROLLER FEED VERTICAL C	9
	302FB09410	2FB09410	FILM FEED C	8
	302FB09430	2FB09430	FILM SEPARATION	7,10
	302FB09451	2FB09451	FILM FEED SPRING F	7,10
	302FB09461	2FB09461	FILM FEED SPRING R	7,10
	302FB09470	2FB09470	FILM DECK SEPARATION	7
	302FB09500	2FB09500	GROUND PLATE FEED MOTOR	31
⊙	302FB09610	2FB09610	PULLEY 30 DU	27
	302FB09620	2FB09620	PLATE DU ROLLER	27
⊙	302FB09631	2FB09631	GEAR DU 17	27
⊙	302FB09640	2FB09640	COLLAR DU PULLEY	27
⊙	302FB09650	2FB09650	GEAR DU 30	27
	302FB09670	2FB09670	SPACER DU PULLEY	27,28
⊙	302FB09680	2FB09680	GEAR DU 30 ONEWAY	27
⊙	302FB09700	2FB09700	STATIC ELIMINATOR DU A	28
	302FB09710	2FB09710	MOUNT GROUND LOWER GUIDE	26
⊙	302FB09720	2FB09720	BELT FRONT DRIVE	27
	302FB09730	2FB09730	GROUND PLATE LOWER GUIDE A	26
	302FB09740	2FB09740	GROUND PLATE LOWER GUIDE B	26
	302FB09750	2FB09750	GROUND PLATE LOWER GUIDE C	26
	302FB09760	2FB09760	SHEET UPPER DU	12
	302FB09780	2FB09780	LOWER COVER DU	26
	302FB09810	2FB09810	GROUND PLATE DU REAR	31
	302FB09820	2FB09820	HOLDER SWITCHBACK PULLEY B	28
	302FB09830	2FB09830	CUT WASHER 4	27
	302FB09840	2FB09840	FILM DU DRAWER	27
⊙	302FB09860	2FB09860	STATIC ELIMINATOR DU C	28
	302FB10340	2FB10340	HOLDER HUMIDITY SENSOR	32
⊙	302FB11020	2FB11020	GEAR 70 DLP	24
	302FB11030	2FB11030	SHAFT DLP ONEWAY	24
	302FB11040	2FB11040	SHAFT DLP JOINT	24
⊙	302FB11050	2FB11050	GEAR 30/50 DLP JOINT	24
	302FB11060	2FB11060	PLATE DLP JOINT	24
	302FB11070	2FB11070	SHAFT DRIVE CONT	23
⊙	302FB11080	2FB11080	GEAR 40 DLP JOINT	24
⊙	302FB11100	2FB11100	GEAR 25 DLP	24
⊙	302FB11110	2FB11110	GEAR 40 DLP	24
	302FB11120	2FB11120	PLATE DLP MOTOR	23
	302FB11130	2FB11130	MOUNT DLP DRIVE	24
⊙	302FB11140	2FB11140	POLY WASHER 8.2X9.5X0.5	24
	302FB11150	2FB11150	SPACER MAIN DRIVE	24
⊙	302FB11160	2FB11160	BEARING MF128ZZ	14,23,24
	302FB11170	2FB11170	JOINT DEVELOPING DRIVE	24
	302FB11180	2FB11180	GROUND PLATE DLP INPUT	24
	302FB12221	2FB12221	MOUNT SCANNER MOTOR	15
	302FB12310	2FB12310	FLANGE 30 WIRE	15
	302FB12340	2FB12340	MOUNT RELEASE SWITCH	15
	302FB12360	2FB12360	JUNCTION BASE LAMP WIRE	15

SP	Part.No.	Alternative.	Description	Fig.No.
	302FB12390	2FB12390	STANDARD PLATE SHADING	16
⊙	302FB12440	2FB12440	LAMP SCANNER YG	15
	302FB12460	2FB12460	SPONGE DUST SHIELD	16
	302FB12680	2FB12680	FRONT SIZE INDICATOR	16
	302FB12700	2FB12700	REAR SIZE INDICATOR (I)	16
	302FB12720	2FB12720	LABEL SIZE (INCH)	16
	302FB12740	2FB12740	SHIELD WIRE CCD	15
	302FB12760	2FB12760	GUIDE PIN	15
	302FB12780	2FB12780	UPPER FILM SCANNER A	16
	302FB12790	2FB12790	UPPER FILM SCANNER B	16
	302FB12810	2FB12810	SHIELD LAMP WIRE	15
	302FB12820	2FB12820	SHIELD WIRE SCANNER	15
	302FB12840	2FB12840	GROUND PLATE SCANNER A	15
	302FB12850	2FB12850	GROUND PLATE SCANNER B	15
	302FB12860	2FB12860	GROUND PLATE SCANNER C	15
	302FB12870	2FB12870	GROUND PLATE SHAFT SCANNER	15
	302FB12890	2FB12890	GROUND PLATE SCANNER D	15
	302FB12940	2FB12940	SHIELD SCANNER SHAFT	15
	302FB12960	2FB12960	FILM SHIELD WIRE	15
⊙	302FB12970	2FB12970	PIN SCANNER RETAIN B	15
	302FB14330	2FB14330	LOWER SHAFT DLP	18
⊙	302FB14340	2FB14340	LEVER DLP LOWER ROLLER	18
⊙	302FB14370	2FB14370	FRONT BUSH DLP ROLLER	18
⊙	302FB14380	2FB14380	REAR BUSH DLP ROLLER	18
	302FB14390	2FB14390	SPRING COLLECT ROLLER	18
⊙	302FB14400	2FB14400	CAM DLP LOWER ROLLER	18
⊙	302FB14430	2FB14430	SEAL DLP LOWER ROLLER	18
⊙	302FB14580	2FB14580	GEAR DLP IDLE Z22H/Z15H	18
⊙	302FB14590	2FB14590	GEAR MAGNET ROLLER Z25H	18
⊙	302FB14710	2FB14710	FELT MIXER	18
⊙	302FB14750	2FB14750	GEAR DLP INPUT 32H	18
⊙	302FB14760	2FB14760	GEAR DLP INPUT 15S	18
	302FB16111	2FB16111	GROUND PLATE TRANSFER	12
	302FB16181	2FB16181	LOWER FRONT GUIDE TRANS	12
	302FB16201	2FB16201	ADJUSTING PLATE FUSER	21
	302FB16231	2FB16231	LOCK PLATE FUSER	21
	302FB16290	2FB16290	REAR GUIDE TRANSFER	12
	302FB16300	2FB16300	REAR FILM TRANSFER	12
	302FB16310	2FB16310	SLIDER COVEYING	3
	302FB16320	2FB16320	PIN ROLLER RELEASE LEVER	12
	302FB16330	2FB16330	SPACER CONVEYING HANDLE	12
	302FB16340	2FB16340	SPRING CONVEYING RELEASE	12
	302FB16350	2FB16350	FILM HIGH VOLTAGE PWB	12
⊙	302FB16370	2FB16370	TC GROUND ROLLER	12
	302FB16380	2FB16380	SPRING TRANSFER RELEASE	12
	302FB16390	2FB16390	REAR HOLDER TRANSFER CLEANING	12
⊙	302FB16400	2FB16400	REAR BRUSH TRANSFER CLEANING	12
	302FB16410	2FB16410	FILM TRANSFER	12
	302FB16420	2FB16420	SPRING TRANS ELECTRODE	12
⊙	302FB16430	2FB16430	ADJUSTING PLATE GROUND	12

• Parts with "⊙" indicates the spare parts.

SP	Part.No.	Alternative.	Description	Fig.No.
	302FB16440	2FB16440	PIN DRAWER B	30
	302FB17091	2FB17091	UPPER GUIDE FEED A	13
	302FB17101	2FB17101	UPPER GUIDE FEED B	13
	302FB17270	2FB17270	BUSHING REGIST	13
⊙	302FB17280	2FB17280	LEVER RELEASE REGIST	13
⊙	302FB17290	2FB17290	LEVER RELEASE FEED	13
	302FB17300	2FB17300	ADJUST PLATE FEED	13
	302FB17311	2FB17311	MOUNT PLATE FEED SWITCH	13
	302FB17320	2FB17320	SPRING REGIST A	13
	302FB17340	2FB17340	GROUND MOTOR FEED	13
⊙	302FB17350	2FB17350	GEAR Z47H FEED	13
⊙	302FB17360	2FB17360	GEAR Z18H-Z18S FEED	13
⊙	302FB17370	2FB17370	GEAR Z18H FEED	13
	302FB17503	2FB17503	HOUSING MP	9
	302FB17582	2FB17582	LEVER PE	9
⊙	302FB17700	2FB17700	SPRING BYPASS TEBLE	11
⊙	302FB17710	2FB17710	GEAR 18 IDLE DEVELOPING	11
	302FB17720	2FB17720	SPONGE BYPASS TABLE	11
	302FB17730	2FB17730	SEAL BYPASS TABLE	11
⊙	302FB17750	2FB17750	SIZE INDICATOR BYPASS(I)	11
⊙	302FB17760	2FB17760	PAD MP	9
⊙	302FB17770	2FB17770	FRONT CURSOR MP	11
⊙	302FB17780	2FB17780	REAR CURSOR MP	11
	302FB17790	2FB17790	SHEET MP HOUSING	9
	302FB17800	2FB17800	PIN BYPASS TABLE	11
	302FB17810	2FB17810	ADJUSTMENT PLATE MP	9
	302FB17820	2FB17820	FILM UPPER REGIST A	13
	302FB17830	2FB17830	FILM UPPER REGIST B	13
⊙	302FB17840	2FB17840	TORQUE LIMITER BYPASS	9
	302FB17851	2FB17851	HOLDER MP PE SW	9
	302FB18590	2FB18590	PIPE DISPOSAL A	20
	302FB18600	2FB18600	PIPE DISPOSAL B	20
	302FB18660	2FB18660	SPONGE DISPOSAL TANK A	20
	302FB18670	2FB18670	SPONGE DISPOSAL TANK B	20
	302FB18680	2FB18680	SPONGE DISPOSAL PIPE A	20
	302FB18690	2FB18690	SPONGE DISPOSAL PIPE B	20
	302FB18710	2FB18710	HOLDER DISPOSAL SPIRAL THRUST	20
	302FB18720	2FB18720	COUPLING DISPOSAL	20
	302FB19011	2FB19011	FRONT FRAME DU	26
	302FB19041	2FB19041	UPPER GUIDE DU CONVEYING	26
	302FB19180	2FB19180	SPRING RIGHT GUIDE	28
⊙	302FB19211	2FB19211	ROLLER B DU CONVEYING	27
⊙	302FB19252	2FB19252	LOWER RACK MIDDLE TRAY	28
	302FB19310	2FB19310	SPONGE DU REAR FRAME	26
	302FB19331	2FB19331	STAY REVERSE FEED	28
	302FB19360	2FB19360	SPRING SWITCHBACK SOL	28
⊙	302FB19371	2FB19371	ROLLER A DU CONVEYING	27
⊙	302FB19401	2FB19401	ROLLER SWITCHBACK DU	27
	302FB19500	2FB19500	MOUNT PULLEY LIFT	26
⊙	302FB19560	2FB19560	FILM SWITCHBACK	28

SP	Part.No.	Alternative.	Description	Fig.No.
	302FB19690	2FB19690	SHIELD MOTOR DU	28
	302FB19700	2FB19700	SPACER REGIST DRIVE	28
	302FB19710	2FB19710	SPRING C PULLEY	27
	302FB19750	2FB19750	GROUND PLATE SIDE REG	28
	302FB19961	2FB19961	MAGNET LOWER GUIDE	14,26
	302FB20010	2FB20010	FRONT GUIDE FUSER A	21
	302FB20070	2FB20070	STOPPER HEAT ROLLER	21
	302FB20131	2FB20131	FRONT GUIDE FUSER CLAW	21
	302FB20140	2FB20140	SPRING FUSER EJECT RELEASE	22
	302FB20160	2FB20160	SPRING WEB RETAINING	21
	302FB20170	2FB20170	BUSH CLEANING ROLLER	21
	302FB20190	2FB20190	SPRING FUSER EJECT DAMPER	22
	302FB20200	2FB20200	THERMISTOR FUSER	21
⊙	302FB20220	2FB20220	GEAR FUSER JOINT B	21
	302FB20250	2FB20250	SEPARATOR FUSER ASSY	22
	302FB20320	2FB20320	SPRING FUSER WEB	21
⊙	302FB20710	2FB20710	UPPER COVER A FUSER EJECT	22
⊙	302FB20720	2FB20720	UPPER COVER B FUSER EJECT	22
	302FB20730	2FB20730	SHAFT FUSER EJECT COVER	22
	302FB20740	2FB20740	SPRING FUSER COVER	22
	302FB20750	2FB20750	FRONT STOPPER COVER	21
	302FB20760	2FB20760	REAR STOPPER COVER	21
⊙	302FB20770	2FB20770	ROLLER PRESSURE WEB	21
	302FB20780	2FB20780	SUPPORT PLATE FUSER CLEANING	21
	302FB20790	2FB20790	PIN FUSER CLEANING RETAINING	21
	302FB20800	2FB20800	RETAINER CLEANING GEAR	21
	302FB20810	2FB20810	SHAFT FUSER WEB DRIVE	21
⊙	302FB20820	2FB20820	RATCHET FUSER CLEANING	21
	302FB20830	2FB20830	STOPPER FUSER RATCHET	21
	302FB20840	2FB20840	STOPPER ROLLER BEARING	21
	302FB20850	2FB20850	COVER FUSER CLEANING	21
	302FB20870	2FB20870	RIGHT SPRING COVER	22
	302FB20880	2FB20880	LEFT SPRING COVER	22
⊙	302FB20890	2FB20890	SPRING SEPARATION CLAW	22
⊙	302FB20900	2FB20900	STOPPER 5 FUSER	5,6,19,21
	302FB20910	2FB20910	LEFT PLATE THERMOSTAT	21
	302FB20920	2FB20920	RIGHT PLATE THERMOSTAT	21
	302FB20940	2FB20940	WASHER 6	21
⊙	302FB20950	2FB20950	GEAR 50 HEAT ROLLER B	21
	302FB21022	2FB21022	UPPER GUIDE EJECT	29
⊙	302FB21080	2FB21080	BELT FEED SHIFT	14
	302FB21170	2FB21170	LOWER RIGHT GUIDE FEED SHIFT	14
	302FB21180	2FB21180	LOWER LEFT GUIDE	14
	302FB21190	2FB21190	SPONGE FEED SHIFT	14
	302FB21200	2FB21200	PLATE SPRING EJECT	29
	302FB21211	2FB21211	FRONT FRAME FEED SHIFT	14
	302FB21221	2FB21221	REAR FRAME FEED SHIFT	14
	302FB21230	2FB21230	UPPER ROLLER FUSER EJECT	22
	302FB21240	2FB21240	LEFT ROLLER FEED SHIFT	14
	302FB21250	2FB21250	SUPPORT PLATE COVER	14

• Parts with "⊙" indicates the spare parts.

SP	Part.No.	Alternative.	Description	Fig.No.	SP	Part.No.	Alternative.	Description	Fig.No.
	302FB21261	2FB21261	LOWER ROLLER FUSER EJECT	14	⊙	302FB23542	2FB23542	REAR DUCT B	1
	302FB21270	2FB21270	HOLDER SW FEED SHIFT	14		302FB23550	2FB23550	GUIDE REAR DLP FILTER	1
	302FB21280	2FB21280	UPPER GUIDE FEED SHIFT	22		302FB23560	2FB23560	REAR DLP FILTER	1
	302FB21290	2FB21290	LOWER GUIDE FEED SHIFT	14		302FB23570	2FB23570	FRONT FILTER IMAGE FAN	17
	302FB21300	2FB21300	GEAR WORM THRUST	14		302FB23580	2FB23580	OZONE FILTER B	1
	302FB21310	2FB21310	GEAR FEED SHIFT	14		302FB23590	2FB23590	OZONE FILTER C	1
	302FB21320	2FB21320	GEAR 32	14		302FB23600	2FB23600	SPONGE REAR DUCT FAN	25
	302FB21330	2FB21330	SPRING FUSER HANDLE	14	⊙	302FB24011	2FB24011	COVER OPERATION E	33
	302FB21340	2FB21340	SHAFT FUSER EJECT RELEASE	22	⊙	302FB24160	2FB24160	LENS LED	33
	302FB21351	2FB21351	LOWER RIGHT ROLLER FEED SHIFT	14	⊙	302FB24170	2FB24170	COVER BASE OPERATION	33
	302FB21361	2FB21361	RIGHT ROLLER TURN OVER FEED	14	⊙	302FB24180	2FB24180	SHAFT OPERATION	33
	302FB21370	2FB21370	UPPER LEFT ROLLER FEED EJECT	14	⊙	302FB24200	2FB24200	KEY PRINT	33
	302FB21380	2FB21380	RIGHT ROLLER FEED SHIFT	14	⊙	302FB24210	2FB24210	LEFT KEY COPIER	33
	302FB21390	2FB21390	LEFT SHAFT TURN OVER	29	⊙	302FB24220	2FB24220	LEFT KEY PRINTER	33
	302FB21400	2FB21400	TENSION PLATE FEED SHIFT	14	⊙	302FB24230	2FB24230	LEFT KEY SCANNER	33
	302FB21420	2FB21420	STOPPER HOOK	12	⊙	302FB24240	2FB24240	SHIELD BASE OPE	33
⊙	302FB21430	2FB21430	DAMPER EJECT COVER	12	⊙	302FB24250	2FB24250	RETAINER LCD	33
	302FB21440	2FB21440	SPONGE B	14		302FB24290	2FB24290	LABEL MAIN POWER E	33
	302FB21450	2FB21450	SHAFT EJECT PULLEY	29		302FB24410	2FB24410	LABEL OPE SET ITA	33
	302FB22041	2FB22041	HOLDER MAIN DRIVE	24		302FB24420	2FB24420	LABEL OPE SET DEU	33
	302FB22472	2FB22472	HOUSING FUSER DRIVE	23		302FB24430	2FB24430	LABEL OPE SET ESP	33
	302FB22482	2FB22482	PLATE FUSER DRIVE	23		302FB24440	2FB24440	LABEL OPE SET FRA	33
	302FB22940	2FB22940	JOINT TC DRIVE	23		302FB24450	2FB24450	SHEET OPE PCB	33
	302FB22950	2FB22950	COUPLING TC DRIVE	23		302FB24460	2FB24460	PLATE EARTH OPE SHIELD	33
	302FB22960	2FB22960	GEAR 88 FUSER SMF	23		302FB24470	2FB24470	KEY VOLUME	33
⊙	302FB23011	2FB23011	OZONE FILTER	25		302FB24800	2FB24800	PLATE FULCRUM OPE	33
	302FB23030	2FB23030	UPPER DUCT DEV	25		302FB24810	2FB24810	PLATE FULCRUM OPE MOVE	33
	302FB23051	2FB23051	REAR DUCT LSU	2		302FB24820	2FB24820	PLATE FULCRUM OPE LEVER	33
	302FB23100	2FB23100	DUCT CONVEYING	12		302FB24830	2FB24830	BUSH 10 D8	33
	302FB23222	2FB23222	REAR CENTER DUCT A	25		302FB24840	2FB24840	SHAFT OPE MOVE A	33
	302FB23232	2FB23232	REAR CENTER DUCT B	25		302FB24850	2FB24850	SHEET TABLET	33
	302FB23241	2FB23241	LOWER REAR DUCT	25		302FB24860	2FB24860	SHEET LCD	33
	302FB23280	2FB23280	FRONT DUCT LSU B	25		302FB24880	2FB24880	SHEET OPERATION REAR	33
	302FB23290	2FB23290	UPPER REAR DUCT B	25		302FB24890	2FB24890	SEAL OPERATION LEFT	1
	302FB23300	2FB23300	CENTER REAR DUCT C	25		302FB24900	2FB24900	SEAL OPERATION RIGHT	1
	302FB23321	2FB23321	REAR DUCT DLP A	25	⊙	302FB24980	2FB24980	FILM OPERATION SIDE L	33
	302FB23331	2FB23331	REAR DUCT DLP B	25	⊙	302FB24990	2FB24990	FILM OPERATION SIDE R	33
	302FB23340	2FB23340	FILM UPPER REAR DUCT	25	⊙	302FB25010	2FB25010	SOLENOID B CLEANING	28
	302FB23360	2FB23360	SPONGE FRONT DUCT A	1	⊙	302FB25020	2FB25020	SOLENOID STOPPER	14,27
	302FB23370	2FB23370	SPONGE FRONT DUCT B	1	⊙	302FB25050	2FB25050	HEATER DEHUMIDIFIER 120	2
	302FB23380	2FB23380	SPONGE FRONT DUCT C	1	⊙	302FB25090	2FB25090	SENSOR SURFACE POTENTIAL	32
	302FB23390	2FB23390	SPONGE FRONT DUCT D	1	⊙	302FB25100	2FB25100	MOTOR EJECT	28
	302FB23440	2FB23440	SPONGE LSU DUCT	33	⊙	302FB25130	2FB25130	FAN COOLING(60-15TH)	2,12,15,17
	302FB23450	2FB23450	SPONGE DLP DUCT	25	⊙	302FB25140	2FB25140	SWITCH BYPASS SIZE	11
⊙	302FB23470	2FB23470	FILTER FRONT COVER D	1	⊙	302FB25180	2FB25180	SOLENOID LEADING FEED	9
⊙	302FB23480	2FB23480	FILTER FRONT COVER E	1	⊙	302FB25190	2FB25190	TABLET OPERATION	33
⊙	302FB23490	2FB23490	FILTER FRONT COVER F	1	⊙	302FB25250	2FB25250	SOLENOID FUSER WEB	23
	302FB23511	2FB23511	DUCT REAR FAN	25	⊙	302FB25260	2FB25260	FAN 40-15(5V)	31
	302FB23522	2FB23522	MOUNT REAR FAN	25	⊙	302FB25300	2FB25300	MOTOR DLP	24
⊙	302FB23531	2FB23531	REAR DUCT A	1	⊙	302FB25310	2FB25310	MOTOR DU CONVEYING	27

• Parts with "⊙" indicates the spare parts.

SP	Part.No.	Alternative.	Description	Fig.No.
⊙	302FB25320	2FB25320	FAN 80 CENTER COOLING	25
⊙	302FB25330	2FB25330	FAN 80 FRONT COOLING	17,25
⊙	302FB25341	2FB25341	FAN COOLING 120	25
	302FB26062	2FB26062	MOUNT SEQUENCE	31
	302FB26071	2FB26071	SUPPORT PLATE SEQUENCE	31
	302FB26091	2FB26091	UPPER LID SEQUENCE	31
	302FB26100	2FB26100	RIGHT LID SEQUENCE	31
	302FB26171	2FB26171	MOUNT DU PWB	30
	302FB26181	2FB26181	MOUNT DK PWB	20
	302FB26190	2FB26190	MOUNT CS PWB	20
	302FB26201	2FB26201	MOUNT SIDE CONNECTOR	30
	302FB26210	2FB26210	COVER V FEED	20
	302FB26223	2FB26223	COVER POWER SOURCE	30
	302FB26240	2FB26240	RAIL CONTROLLER	31
	302FB26250	2FB26250	LID CONTROLLER	31
	302FB26260	2FB26260	STAY SEQUENCE	31
	302FB26270	2FB26270	LID KMAS	30,31
	302FB26290	2FB26290	LID VENDOR	31
	302FB26300	2FB26300	MOUNT LSU CONNECTOR	2
	302FB26320	2FB26320	MOUNT POWER SOURCE SUPPLY 120	30
	302FB26330	2FB26330	V RING 6	31
	302FB26340	2FB26340	MOUNT POWER SOURCE AC J	29
	302FB26360	2FB26360	LID CF GUIDE	31
	302FB26380	2FB26380	EARTH CONTROLLER PCB	31
	302FB26400	2FB26400	EARTH S-BOX B	16
	302FB26410	2FB26410	EARTH S-BOX C	31
	302FB26420	2FB26420	FILM HDD	31
	302FB26440	2FB26440	SPONGE HDD WIRE	31
⊙	302FB26450	2FB26450	FILTER S-BOX FAN	1
	302FB26460	2FB26460	FILM DU HOOK	30
	302FB26470	2FB26470	COVER MAIN WIRE	31
	302FB26480	2FB26480	SHIELD SCANNER WIRE	31
	302FB26490	2FB26490	COVER INTERFACE WIRE	31
	302FB26520	2FB26520	FILM COVER POWER SOURCE	30
	302FB26530	2FB26530	MOUNT S-BOX C	31
	302FB26540	2FB26540	FILM S-BOX C	31
	302FB27221	2FB27221	POWER CORD(120)	30
⊙	302FB27231	2FB27231	MOTOR FIXING	23
⊙	302FB27240	2FB27240	SWITCH FEED A	9,13,26,28
⊙	302FB27250	2FB27250	MOTOR FEED A	13
	302FB27270	2FB27270	SHEET GM05	31
	302FB27301	2FB27301	WIRE MAIN	30
	302FB27351	2FB27351	WIRE ENGINE PWB	32
	302FB27421	2FB27421	WIRE FEED UNIT	13
	302FB27471	2FB27471	WIRE PRIMARY PF UNIT	10
	302FB27572	2FB27572	WIRE SCANNER HP SW	15
	302FB27662	2FB27662	WIRE CASSETTE UNIT	4
	302FB27681	2FB27681	WIRE DECK PWB 1	30
	302FB27713	2FB27713	WIRE CASSETTE PWB	30
	302FB27960	2FB27960	WIRE CCD	15

SP	Part.No.	Alternative.	Description	Fig.No.
	302FB27970	2FB27970	WIRE OPERATION JUNCTION	33
⊙	302FB28210	2FB28210	AC POWER SOURCE PWB 100	29
⊙	302FB28231	2FB28231	INVERTER PCB YG	15
⊙	302FB28240	2FB28240	DF POWER SOURCE PWB 100	29
	302FB28720	2FB28720	WIRE SHIELD BOX FAN	31
	302FB28730	2FB28730	WIRE HIGH VOLTAGE PWB	30
	302FB28750	2FB28750	WIRE LCD	33
	302FB28760	2FB28760	WIRE OPTION PS PWB	29
	302FB28770	2FB28770	WIRE SCANNER CONTROL	16
	302FB28790	2FB28790	WIRE SCANNER FRAME GND 2	16
	302FB28800	2FB28800	WIRE SCANNER PWB GND	31
	302FB68040	2FB68040	LABEL OPE SET E	33
	302FB68050	2FB68050	LABEL OPE SET J	33
⊙	302FB68131	2FB68131	ENGINE PWB ASS'Y (SP)	31
⊙	302FB68140	2FB68140	SCANNER PWB ASS'Y (SP)	16
⊙	302FB68152	2FB68152	MAIN PWB ASS'Y (SP)	31
⊙	302FB68240	2FB68240	BLADE CLEANING SP	19
⊙	302FB68290	2FB68290	SPECIAL TOOL FRAME RETAINING	42
	302FB68381	2FB68381	LABEL OPE SET CHN	33
⊙	302FB93010	2FB93010	PARTS,DRUM ASS'Y	17
⊙	302FB93021	2FB93021	PARTS,PTC ASS'Y	17
⊙	302FB93031	2FB93031	PARTS,MC-650	17
⊙	302FB93042	2FB93042	PARTS,LK-650	2
⊙	302FB93052	2FB93052	PARTS,DV-650	18
⊙	302FB93061	2FB93061	PARTS,TC BELT ASS'Y	12
⊙	302FB93070	2FB93070	PARTS,CLEANING ASS'Y	19
⊙	302FB93091	2FB93091	PARTS,FK-650(A)	21
⊙	302FB93110	2FB93110	PARTS,CONT DRIVE ASS'Y	23
⊙	302FB93130	2FB93130	PARTS,FIXING DRIVE ASS'Y	23
⊙	302FB93140	2FB93140	PARTS,VERTICAL FEED DRIVE ASS'Y	23
⊙	302FB93150	2FB93150	PARTS,BYPASS DRIVE ASS'Y	23
⊙	302FB93160	2FB93160	PARTS,DRUM ELECTRODE ASS'Y	17
⊙	302FB93170	2FB93170	PARTS,ISU ASS'Y	15
⊙	302FB93183	2FB93183	PARTS,OPERATION UNIT	33
⊙	302FB93200	2FB93200	PARTS,CONTACT GLASS ASS'Y(I)	16
⊙	302FB93210	2FB93210	PARTS,CONTACT GLASS ADF ASS'Y(I)	16
⊙	302FB93220	2FB93220	PARTS TC BELT SP	12
⊙	302FB93241	2FB93241	PARTS,CASSETTE FEED ASS'Y	10
⊙	302FB93250	2FB93250	PARTS,MOTER DECK FEED ASS'Y	7
⊙	302FB93260	2FB93260	PARTS,UPPER GUIDE DECK ASS'Y	8
⊙	302FB93271	2FB93271	PARTS,UPPER LEFT DECK FEED ASS'Y	7
⊙	302FB93282	2FB93282	PARTS,UPPER RIGHT DECK FEED ASS'Y	7
⊙	302FB93290	2FB93290	PARTS HEAT CLAW ASS'Y	22
⊙	302FB94020	2FB94020	PARTS,UPPER PULLEY FEED ASS'Y SP	7,10
⊙	302FB94030	2FB94030	PARTS,LOWER PULLEY FEED ASS'Y SP	7,10
⊙	302FB94040	2FB94040	PARTS,GRID ASS'Y SP	17
⊙	302FB94050	2FB94050	PARTS,MC CLEANING PAD ASS'Y SP	17
⊙	302FB94070	2FB94070	PARTS,MOTOR CLEANING ASS'Y SP	17
⊙	302FB94080	2FB94080	PARTS,DLP LOWER ROLLER ASS'Y SP	18
⊙	302FB94101	2FB94101	PARTS,EMBLEM ASS'Y (CPY) SP	1

• Parts with "⊙" indicates the spare parts.

SP	Part.No.	Alternative.	Description	Fig.No.
⊙	302FB94110	2FB94110	PARTS,PTC CLEANIG PAD ASS'Y SP	17
⊙	302FB94140	2FB94140	PARTS,REAR DLP FILTER B ASS'Y	1
⊙	302FC68312	2FC68312	MAIN PWB ASS'Y (SP)	31
⊙	302FC94021	2FC94021	PARTS,EMBLEM ASS'Y (CPY) SP	1
⊙	302FG01111	2FG01111	OPE PCB ASS'Y B(BA)	33
⊙	302FZ08500	2FZ08500	PAD MP L	11
	3033907021	33907021	WORK PLATE, CASSETTE	4
	303CY06051	3CY06051	CURSOR B, CASSETTE	4
	303CY06120	3CY06120	DETECTION PLATE,PAPER SIZE	4
	303H600022	3H600022	FRONT FRAME ASS'Y	35
	303H600031	3H600031	REAR FRAME ASS'Y	35
⊙	303H601012	3H601012	MAIN PCB ASSY	41
	303H602041	3H602041	LEFT STAY	35
⊙	303H602051	3H602050	PLATE MAT	34
	303H602201	3H602201	SHAFT LEVER ADJUST	35
	303H602301	3H602301	ADJUST PLATE HINGE	35
	303H602350	3H602350	LEFT STAY ASSY	35
	303H602360	3H602360	CUSHION MAT A	34
	303H602370	3H602370	CUSHION MAT B	34
	303H602380	3H602380	DUCT CIS	35
	303H602390	3H602390	GROUND PLATE MAT	34
	303H602400	3H602400	SPRING MAT HANGING	34
	303H602420	3H602420	REINFORCEMENT LEFT STAY	35
	303H602430	3H602430	COVER GASKET	34
⊙	303H602450	3H602450	VIBRATION INSULATOR,FAN	35
	303H602541	3H602541	RIGHT STAY	35
⊙	303H603021	3H603021	HINGE R	35
⊙	303H604021	3H604021	REAR COVER	34
⊙	303H604090	3H604090	CLOTH CLEANING	34
⊙	303H605010	3H605010	LABEL ORIGINAL MAX	11,36
⊙	303H605030	3H605030	LABEL ORIGINAL SET	34
⊙	303H605040	3H605040	LABEL CAUTION	34
⊙	303H605050	3H605050	LABEL HINGE CAUTION	34
⊙	303H605060	3H605060	LABEL OPENING ANGLE	34
⊙	303H605070	3H605070	LABEL JAM REMOVAL A	34
⊙	303H605080	3H605080	LABEL JAM REMOVAL B	34
⊙	303H605090	3H605090	LABEL STOPPER	34
⊙	303H605110	3H605110	LABEL MSP A	36
⊙	303H605140	3H605140	LABEL MIXED LOADING INCH	34
⊙	303H605180	3H605180	LABEL CAUTION A	34
⊙	303H605200	3H605200	LABEL SIZE DIRECTIONS	36
⊙	303H605210	3H605210	LABEL CURSOR ADJUSTMENT	34
⊙	303H605220	3H605220	LABEL CLOTH CLEANING	34
⊙	303H605230	3H605230	LABEL CIS CLEANING	34
⊙	303H606091	3H606091	RACK LIFT	36
⊙	303H606180	3H606180	COVER JOINT	36
⊙	303H606190	3H606190	COVER ORIGINAL TABLE	36
	303H607141	3H607141	SHAFT SEPARATION	39
	303H607270	3H607270	WEIGHT LF PULLEY	39
⊙	303H607280	3H607280	PULLEY TENSION	39

SP	Part.No.	Alternative.	Description	Fig.No.
	303H607290	3H607290	REINFORCEMENT LF	39
⊙	303H607300	3H607300	FILM SEPARATION	39
⊙	303H608061	3H608061	COVER CONVEYING	34
⊙	303H608270	3H608270	SHEET CONVEYING	37
⊙	303H608280	3H608280	SHEET READING	37
⊙	303H608290	3H608290	PULLEY REGISTRATION	34
⊙	303H608300	3H608300	SHEET READING B	37
⊙	303H608310	3H608310	SHEET REGIST LOOP	37
⊙	303H610330	3H610330	STATIC ELIMINATOR EJECT	39
⊙	303H610340	3H610340	FRONT SHEET DUPLEX	38
⊙	303H610350	3H610350	REAR SHEET DUPLEX	38
⊙	303H610360	3H610360	REINFORCEMENT DUPLEX	38
⊙	303H610370	3H610370	GROUND PLATE CIS ROLLER	38
⊙	303H610380	3H610380	LOWER SHEET DUPLEX	38
⊙	303H622181	3H622181	GEAR LIFT 55	39
⊙	303H622331	3H622331	GEAR 20/65 IDLE	40
⊙	303H622350	3H622350	PULLEY E ROLLER ASSY	39
⊙	303H622360	3H622360	PULLEY TENSION	37
⊙	303H694010	3H694010	PARTS,MAT ASS'Y SP	34
⊙	303JT01010	3JT01010	CONTROLLER ASS'Y WITH SOFTWARE	43
⊙	303JT01020	3JT01020	PCB DIMM ASS'Y WITH SOFTWARE	43
⊙	303JT26010	3JT26010	MOUNT CONTROLLER PCB	43
⊙	303JT34010	3JT34010	LABEL OPT1	43
⊙	303JT34020	3JT34020	LABEL HDD	43
⊙	303JT39020	3JT39020	COVER CF	43
	3068720121	68720121	LEVER B,FEED SHIFT SOLENOID	14
⊙	33405050		LABEL,HIGH VOLTAGE CAUTION(JPN)	35
⊙	33906220		PAD,BYPASS CURSOR	11
⊙	33906400		FRICTION PLATE,BYPASS	9,36
	33906900		COVER,CURSOR	11
	33907080		LEVER,CASSETTE CURSOR	4
	33907120		RAIL C,CURSOR	4
	33907160		LID,PAPER SIZE DETECTION	4
	33907210		CUSHION,CASSETTE WORK PLATE	4
⊙	33920310		DIAL,FIXING DRIVE	14
⊙	33920320		JOINT,FIXING DRIVE	14
	33922400		JOINT,DEVELOPING DRIVE	24
	33973300		STOPPER 7,CARTRIDGE	14
⊙	35911520		PULLEY 16,ADF	14
⊙	35911790		GEAR 20,PAPER FEED PULLEY	40
	35912010		CONTACT GLASS	16
⊙	35914820		BEARING,DEVELOPING	18
⊙	35927420		SWITCH,SIZE	30
	35968110		STOPPER WIRE ASS'Y SP	42
⊙	36710111		SLIDER,MC CLEANING PAD	17
⊙	36716240		BUSHING,IDLE ROLLER	12
	36716290		ELECTRODE,TRANSFER	12
	36720493		CLAW,PRESS ROLLER	21
⊙	3A707290		PAD,LIFT	36
⊙	3A722090		PULLEY,DRIVE	14

• Parts with "⊙" indicates the spare parts.

SP	Part.No.	Alternative.	Description	Fig.No.	SP	Part.No.	Alternative.	Description	Fig.No.
⊙	3BC07320		PAD,LIFT	5,6,11		3H606070		LEVER LIFT	39
⊙	3BN07050		GEAR Z47/B20,SIDE REGISTRATION	28		3H606080		SHAFT LIFT	39
⊙	3CF04060		PLATE NUMBER4	4	⊙	3H606100		TABLE ORIGINAL	36
	3CY06030		RETAINER M4	1,4,17		3H606120		PLATE SIZE SW	36
	3CY06071		CURSOR C,CASSETTE	4		3H606130		PLATE ORIGINAL SW	36
	3CY06080		LID C,CURSOR	4		3H606140		STOPPER LIFT LEVER	39
	3CY06090		RACK CURSOR	4		3H606150		MNT LIFT SW	41
⊙	3CY06100		GEAR 20,CURSOR	4		3H606160		GUIDE LIFT WIRE	36
⊙	3CY07080		BUSHING 6	7,20,24,39	⊙	3H607010		BELT PF	39
	3CZ02240		PIN,DRAWER SIDE CONVEYING	30	⊙	3H607020		PULLEY LF	39
⊙	3H327410		SENSOR,CONVEYING	13,36	⊙	3H607030		COLLAR PF A	39
⊙	3H600010		ROLLER CONVEYING ASS'Y	37	⊙	3H607040		COLLAR PF B	39
⊙	3H601020		SHD PCB ASSY	41		3H607050		HOLDER LF	39
⊙	3H601030		LED PCB ASS'Y	41		3H607060		HOLDER PF	39
	3H602030		LOWER STAY	35		3H607070		LEVER PRESS	39
	3H602060		REINFORCEMENT PLATE MAT	34		3H607080		COVER SEPARATION	39
	3H602080		LOWER FRONT LEVER	38		3H607090		SHAFT BELT	39
	3H602090		HOLDER SPRING	35		3H607100		SHAFT LF	39
	3H602100		PLATE PUSH SW	35		3H607110		SHAFT PF	39
⊙	3H602110		GUIDE READING	37	⊙	3H607120		PULLEY SEPARATION	39
	3H602120		HOLDER GUIDE READING	37	⊙	3H607130		BUSHING PF HOLDER	39
	3H602130		SHAFT EJECT PULLEY	34		3H607150		SPRING PF	39
	3H602140		MOUNT MAIN PCB	35		3H607160		UPPER GUIDE PF	39
	3H602180		MOUNT LEVER ADJUST	39		3H607170		LOWER GUIDE PF	39
	3H602190		HOOK LEVER ADJUST	39		3H607180		GUIDE SEPARATION	39
⊙	3H602210		MAT ORIGINAL	34	⊙	3H607190		BELT 170 LF	39
	3H602230		SPRING READING	37	⊙	3H607200		COVER PF	39
	3H602240		PLATE SPRING LEVER	39		3H607210		GUIDE LIFT	39
⊙	3H602250		CUSHION RUBBER	34		3H607220		ROLLER TENSION	39
	3H602260		SHAFT ADJUST PLATE B	35		3H607240		GUIDE PF SPRING	39
	3H602270		MOUNT CIS INV PCB	41	⊙	3H607260		BELT 138 FEED	40
	3H602280		PIN HINGEBASE	35	⊙	3H608010		ROLLER REGISTRATION	37
⊙	3H602290		GROUND PLATE READING	37		3H608050		GUIDE REGISTRATION	37
	3H602310		SPRING PUSH SW	35		3H608070		GUIDE C COVER	34
	3H602320		SPACER SHAFT	35		3H608080		STAY C COVER	34
	3H602330		STOPPER ORIGINAL SW	35		3H608090		HOLDER C PULLEY	34,37,38
	3H602590		LEFT STAY FRAME	35		3H608100		MOUNT C PULLEY	27,34,37,38
⊙	3H603010		HINGE L	35		3H608110		SHAFT R PULLEY	34
	3H603030		STOPPER HINGE	35	⊙	3H608120		LEFT GUIDE CONVEYING	37
⊙	3H604010		FRONT COVER (1/2)	34		3H608130		MOUNT LEFT PULLEY	37
⊙	3H604030		TRAY EJECT (1/2)	34		3H608140		MOUNT TIMING SWITCH	37
⊙	3H604040		LEVER ADJUSTMENT	39	⊙	3H608150		SHAFT C PULLEY	27,34,37,38
⊙	3H604060		STOPPER EJECT	34		3H608160		FULCRUM C COVER	34
⊙	3H604070		LID REAR COVER	34		3H608170		SHAFT HANDLE	34
⊙	3H606010		TABLE LIFT	36		3H608180		HANDLE C COVER	34
⊙	3H606020		FRONT CURSOR	36		3H608190		HOOK HANDLE	34
⊙	3H606030		REAR CURSOR	36	⊙	3H608200		PULLEY CONVEYING	27,34,37,38
	3H606040		SHAFT TABLE	36	⊙	3H608210		LEFT COVER	34
	3H606050		COVER CURSOR	36		3H608220		SPRING R PULLEY	34
⊙	3H606060		JOINT TABLE	36		3H608230		SPRING C PULLEY	9,34,37,38

• Parts with "⊙" indicates the spare parts.

SP	Part.No.	Alternative.	Description	Fig.No.	SP	Part.No.	Alternative.	Description	Fig.No.
	3H608240		SPRING COVER TORQUE	34	⊙	3H622230		PULLEY C ROLLER 48	37
	3H608250		PLATA TORQUE SPRING	34		3H622240		TENSION PLATE E IDLE	37
	3H608260		SPRING PLATE REG SW	34		3H622250		TENSION PLATE C IDLE	37
⊙	3H610010		ROLLER EJECT	39		3H622260		GEAR DUPLEX UNIT	38
⊙	3H610020		ROLLER CIS	38		3H622270		SPRING C MOTOR	37
	3H610030		FRAME DUPLEX	38	⊙	3H622290		TORQUE LIMITER 300	40
	3H610040		GUIDE DUPLEX	38		3H622300		JOINT PF DRIVE	40
	3H610050		MOUNT DUPLEX PULLEY	38		3H622310		COLLAR PF DRIVE	40
	3H610060		MOUNT DUPLEX UNIT	38	⊙	3H622320		GEAR 20 LIFT	36
	3H610070		FULCRUM SHAFT D UNIT	38	⊙	3H622340		GEAR 28	40
	3H610080		FRONT HOOK CIS ROLLER	38		3H627010		JUNCTION WIRING,MOT A	40
	3H610090		REAR HOOK CIS ROLLER	38		3H627020		JUNCTION WIRING,MOT B	37
	3H610100		LEFT GUIDE CIS	37		3H627040		JUNCTION WIRING,ORG. SET	41
	3H610110		LEFT STAY CIS	37		3H627070		JUNCTION WIRING,CONVEYING	41
	3H610130		FRONT MOUNT CIS	41		3H627090		WIRE,REGIST	34
	3H610140		REAR MOUNT CIS	41		3H627100		WIRE,TMG A	37
⊙	3H610150		BUSH CIS ROLLER	38		3H627110		WIRE,TMG B	37
	3H610160		GUIDE EJECT	39		3H627120		JUNCTION WIRING,TABLE	36
	3H610170		GUIDE CIS ROLLER	41		3H627140		WIRE,ORG W SIZE	36
	3H610180		STOPPER D UNIT	38		3H627150		WIRE,INTERLOCK	41
	3H610190		MOUNT D RACK	38		3H627170		WIRE,SCANNER IF	41
	3H610210		RACK DUPLEX UNIT	38		3H627180		WIRE,CIS JUNCTION PCB IF	41
	3H610220		FULCRUM PLATE D RACK	35	⊙	3H627190		FFC CIS	41
	3H610230		REINFORCEMENT D RACK	38		3H627200		WIRE,CIS DATA	41
⊙	3H610240		FELT DUPLEX	37,38,39	⊙	3H627210		SENSOR A3 CIS	41
	3H610250		FRONT GUIDE D FRAME	35	⊙	3H627220		MOTOR DP	37,40
	3H610270		COVER D UNIT	38	⊙	3H627230		MOTOR LIFT	40
⊙	3H610280		TORQUE LIMITER DUPLEX	38	⊙	3H627240		SENSOR ORIGINAL	36
	3H610290		MOUNT D SWITCH	37		3H627250		WIRE,CIS LAMP REMORT	41
	3H610300		COVER EJECT	39		3H627260		WIRE,INVERTER	41
⊙	3H622010		GEAR CIS IDLE 21	38	⊙	3H627280		FAN DP	15,17,35
⊙	3H622020		GEAR CIS ROLLER 20	38,39	⊙	3H628040		INVERTER PCB	41
	3H622030		MOUNT C MOTOR	37		3H827010		SHEET RADIATOR	43
	3H622040		ADJUST PLATE C MOTOR	37		3HK08070		SPRING CONV	34
	3H622050		MOUNT C IDLE	37	⊙	3HK10030		PULLEY EJECT	34
⊙	3H622060		PULLEY R ROLLER 32	37	⊙	3HK10060		SPONGE EJECT	34
⊙	3H622070		PULLEY C ROLLER 99	37	⊙	3HK22040		GR 33 CONV	40
⊙	3H622080		PULLEY C IDLE 16/24	37		3HK27050		CORE 8-16X10	40
⊙	3H622100		TIMING BELT R MOTOR 102	37		3HL06050		RACK TABLE	36
⊙	3H622110		TIMING BELT C MOTOR 244	37	⊙	3HL06110		TERMINAL PAPER SIZE	36
⊙	3H622120		TIMING BELT C IDLE 376	37		3HL07240		SPRING HOOK	34,37,38
⊙	3H622130		TIMING BELT E ROLLOR 174	37	⊙	3JR01010		SCANNER NIC ASS'Y	43
	3H622140		MNT LIFT DRIVE	40		5MMS111SL002	2BY20050	NUT FUSER A /FS-1800/3800 A4	21
	3H622150		MNT PF DRIVE	40		5MMS636SD009	3BH26020	PLATE OPTION /40613C0002 A4	43
⊙	3H622160		GEAR 20 JOINT	40		5MVG115DB002	2BM14540	GEAR WORM /48390M0062 A4	17
⊙	3H622170		GEAR 69 JOINT	40	⊙	5MVL177DN001	2FB06810	RING STOPPER 4	7,9,10,39
⊙	3H622190		GEAR Z22 P35	40	⊙	5MVL177DN002	2FB06820	RING STOPPER 6	9,12,39
	3H622200		SHAFT PF DRIVE	40	⊙	5MVT263NN001	33910230	PIN CHARGER /A-49 CHARGER A4	17
	3H622210		MOUNT JAM DIAL	37					
⊙	3H622220		DIAL JAM REMOVENT	37					

• Parts with "⊙" indicates the spare parts.

SP	Part.No.	Alternative.	Description	Fig.No.
⊙	5MVX111DN003	2A806250	RING STOPPER /A-49 FEED A4	5,6,7,9,13,14 15,18,19,20,23 24,26,27,28,34 36,37,38,39,40
⊙	5MVX111DN007	2BT11070	STOPPER 3 /2BT1107 A4	7,10,14,29
⊙	5MVX321CE001	3CF04050	PLATE NUMBER 3 /3CF0405 A4	4
	60907170		CUSHION,CASSETTE R	4,5,6
⊙	60912270		BEARING,688ZZ	12,37
⊙	61705110		LABEL,PAPER UPPER LIMIT	4
	61710330		WIRE,GRID(SUS)	17
	61716260		TERMINAL A,TC CATCHER	12
	61720460		BUSH,FIXING CLEANING	21
	63213360		SPRING,PAPER EJECT HOLDER	27
⊙	63520170		BUSHING,PRESSING ROLLER	12
	63722190		SPRING,SWITCHING LEVER	35
⊙	63822220		GEAR,41	5,6
	65027470		CORE,7-15X18	33
	65027480		CORE,9-20X32	15,41
	66007310		PIN,CASSETTE WORK PLATE	4,13
⊙	66015270		PULLEY 10,TONER RECYCLE	37
⊙	66018160		GEAR 19,SPIRAL ROLLER	23
	66060022		RETAINER,KEY COUNTER COVER	43
	66060030		RETAINER,KEY COUNTER	43
	66060040		MOUNT,KEY COUNTER	43
	66106080		SPRING,PAD	4
	66107100		PAD,CASSETTE	4
⊙	66127010		SWITCH,COVER OPEN	30
⊙	66222140		BUSHING,BYPASS CAM	23
⊙	66321430		FEEDBACK PULLEY	29
	68320310		SPRING,SEPARATION CLAW	21
⊙	68721640		PULLEY 20,DUPLEX CONVEYING	23,39
⊙	68822330		BEARING,DRIVE	7
	72107160		BUSHING 6,LOWER REGISTRATION ROLLER	14
	72112520		TENSION SPRING,SCANNER WIRE	15
	72418140		SPRING, BLADE	14,23,24
	73226040		SPRING,REVERSE SOLENOID	14
	74669000		TUNGSTEN WIRE(OX) SP (50M)	17
⊙	74808080		BEARING,686ZZNR	7,14
	75712080		MIRROR HOLDER	15
	75714210		COLLAR DEVELOPING UNIT	36,40
⊙	76727010		ORIGINAL SIZE SWITCH	11
⊙	7NH3M040G001H01	NH003070	STORAGE DEVICE	31
	7YCC02B1001+H01	YC014610	CONNECTOR	2,17,25
	7YCC03B1002+H01	YC014620	CONNECTOR	20
	7YCC03B1003+H01	YC014630	CONNECTOR	27
	7YCC08B1003+H01	YC013920	CONNECTOR 292254-8	10
	7YCC08B2046+H01	YC026110	CONNECTOR	4
⊙	7YCC08B2046+H02	YC026130	CONNECTOR	30
	7YCC22K2001+H01	YC014640	CONNECTOR	7
	7YZM110001++H01	YZ009420	ACCESS.BUSHING	35,37,41

SP	Part.No.	Alternative.	Description	Fig.No.
	7YZM110002++H01	YZ010100	ACCESS.BUSHING	41
	7YZM120001++H01	YZ004390	ACCESS.BUSHING	30
	7YZM210001++H01	YZ004370	ACCESS.EDGING	13,31,41
	7YZM210002++H01	YZ004730	ACCESS.EDGING	41
	7YZM310001++H01	YZ012680	ACCESS.CLAMP	16
	7YZM320001++H01	YZ021440	ACCESS.CLAMP	15,43
	7YZM390002++H01	YZ012140	ACCESS.CLAMP	15
	7YZM510001++H01	YZ004380	ACCESS.SPACER	30
	7YZM510003++H01	YZ020600	ACCESS.SPACER	30
	7YZM610001++H01	YZ010230	ACCESS SADDLE	13,15,16,27,28 30,40,41
	7YZM610002++H01	YZ010240	ACCESS SADDLE	40,41
	7YZM610003++H01	YZ010250	ACCESS SADDLE	15,23,29,30,31
	7YZM610004++H01	YZ012210	ACCESS SADDLE	29,30,31
	7YZM610005++H01	YZ012220	ACCESS SADDLE	15,31
	7ZEGSTRFM150H02	ZE022090	GROUNDING SHIELD JOINT	16
	7ZGSSTG42160H01	ZG021630	SHIELD GASKET	16
	7ZGSSTG51140H01	ZG022880	SHIELD GASKET	1
	7ZGSSTG55020H01	ZG020460	SHIELD GASKET	15
	7ZGSSTG55050H01	ZG020570	SHIELD GASKET	31
	7ZGSSTG55263H01	ZG020440	SHIELD GASKET	15
	7ZGSSTG55330H01	ZG022870	SHIELD GASKET	1
	7ZGSSTG77015H01	ZG020580	SHIELD GASKET	7
	7ZGSSTG77300H01	ZG020590	SHIELD GASKET	2
	7ZGSTG101015H01	ZG011800	SHIELD GASKET	34
	7ZGSTG101100H01	ZG022070	SHIELD GASKET	31
	7ZGSTG131015H01	ZG019080	SHIELD GASKET	34
	7ZGSTG810150H01	ZG021640	SHIELD GASKET	31
⊙	82142540		KEY COUNTER	43
⊙	G3001360		BEARING 686ZZ	12,22
	M1203200	49481317	OPEN BUSHING,OCB-375	37
	M2104220		EDGING,EDS-1717U	27
	M2104240		EDGING,EDS-1208U	23
	M2104250		EDGING,EDS-17L(KITAGAWA)	2,7,27,40,41
	M2104260		EDGING,EDS-0607U(KITAGAWA)	23,36,37,41
	M2104390		EDGING,EDS-0607L(KITAGAWA)	7,14
	M2105970		CLAMP,CKN-10(KITAGAWA)	25
	M2107240		BAND,KI-100(KITAGAWA)	2,7,9,10,11,12 13,14,27,30,32 33,40,41
	M2107250		BAND,RSG-100(KITAGAWA)	2,9,12,13,14,15 20,23,25,26,27 28,30,31,32,33
	M2108000	49628603	SPACER,KGLS-3S	20,29,30,31,41
	M2108080	49628604	SPACER,KGPS-3S	20,30,31,41
	M2108870		SPACER,KGPS-10RF(KITAGAWA)	33
	M2108930		SPACER,KGLS-8RT(KITAGAWA)	12
	M21AH010		BAND,RSG-130-V0(KITAGAWA)	2,7,8,15,33,41
	M21AK010		WIRE SADDLE,RLWS-1T V0(KITAGAWA)	12,41
	M21AK030		WIRE SADDLE,RLWS-3T V0(KITAGAWA)	2,32

• Parts with "⊙" indicates the spare parts.

SP	Part.No.	Alternative.	Description	Fig.No.
	M21AK050 M7005030 M70AK010		WIRE SADDLE,RLWS-1515T V0(KITAGAWA) CLAMP,EMT-5N(TAKEUCHI) WIRE SADDLE,RMS-1V0(TAKEUCHI)	12,31 15,16,31 36,37,39,41

• Parts with "☉" indicates the spare parts.

KYOCERA MITA AMERICA, INC.

Headquarters:

225 Sand Road,
Fairfield, New Jersey 07004-0008
TEL : (973) 808-8444
FAX : (973) 882-6000

New York Branch:

1410 Broadway 23rd floor
New York, NY 10018
TEL : (917) 286-5400
FAX : (917) 286-5402

Northeastern Region:

225 Sand Road,
Fairfield, New Jersey 07004-0008
TEL : (973) 808-8444
FAX : (973) 882-4401

Midwestern Region:

201 Hansen Court Suite 119
Wood Dale, Illinois 60191
TEL : (630) 238-9982
FAX : (630) 238-9487

Western Region:

14101 Alton Parkway,
Irvine, California 92618-7006
TEL : (949) 457-9000
FAX : (949) 457-9119

Southeastern Region:

1500 Oakbrook Drive,
Norcross, Georgia 30093
TEL : (770) 729-9786
FAX : (770) 729-9873

Southwestern Region:

2825 West Story Road,
Irving, Texas 75038-5299
TEL : (972) 550-8987
FAX : (972) 252-9786

National Operation Center & National Training Center:

2825 West Story Road,
Irving, Texas 75038-5299
TEL : (972) 659-0055
FAX : (972) 570-5816

Latin America Division:

8240 N.W. 52nd. Terrace Dawson Building,
Suite 108 Miami, Florida 33166
TEL : (305) 421-6640
FAX : (305) 421-6666

KYOCERA MITA CANADA, LTD.

6120 Kestrel Road, Mississauga,
Ontario L5T 1S8, Canada
TEL : (905) 670-4425
FAX : (905) 670-8116

KYOCERA MITA MEXICO, S.A. DE C.V.

Av. 16 de Septiembre #407
Col. Santa Inés,
Azcapotzalco México,
D.F. 02130, México
TEL : (55) 5383-2741
FAX : (55) 5383-7804

© 2006 KYOCERA MITA Corporation
<http://www.kyoceramita.com>

Printed in U.S.A.